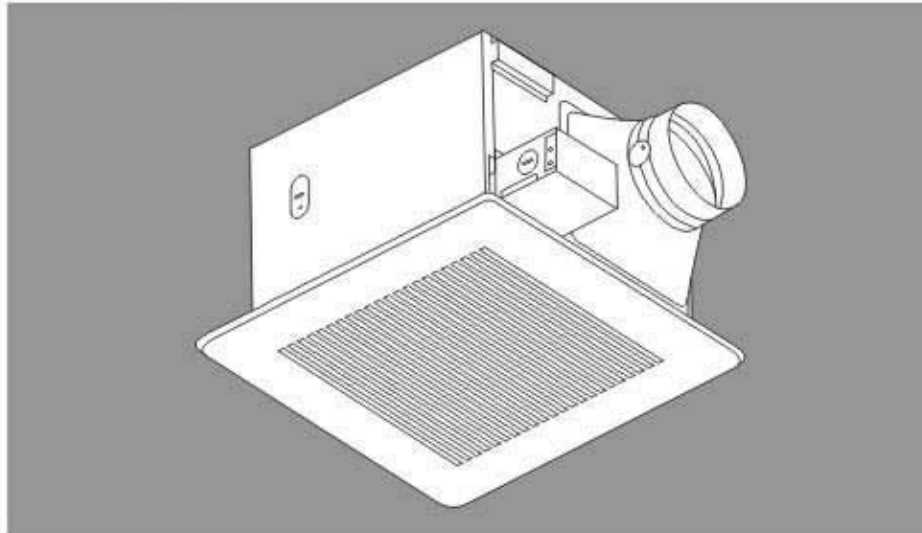


INSTALLATION INSTRUCTIONS

Ventilating Fan

FV-05VQ3 FV-08VQ3
FV-11VQ3 FV-15VQ4



Panasonic®

READ AND SAVE THESE INSTRUCTIONS.

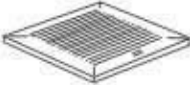







Please read these instructions carefully before attempting to install, operate or service the Panasonic Ventilating Fan. Failure to comply with instructions could result in personal injury and/or property damage. Please retain this booklet for future reference.

Table of Contents

Supplied Accessories.....	2
Description	2
Dimensions	3
Specifications	4
Unpacking	4
General Safety Information	4-5
Installation I (Joist Mounting)	6-8
Installation II (I Joist Mounting)	8-9
Installation III (Between Joist Mounting)	9-10
Installation IV (Wooden Header)	10
Installation V (In Existing Construction)	11
Maintenance	11-12
Practical Guide to Installation	12
Product Service	12

SUPPLIED ACCESSORIES

FV-05VQ3
 FV-08VQ3
 FV-11VQ3
 FV-15VQ4

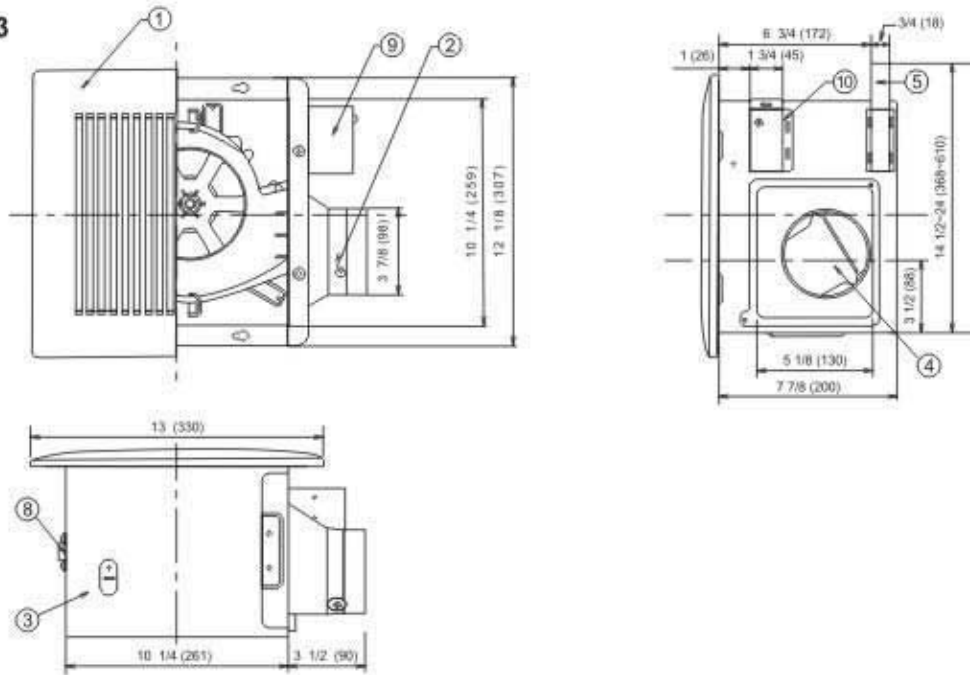
Part name	Appearance	Quantity
Grille		1
Long screw		8
Thumb screw		1
Suspension bracket I		1
Suspension bracket II		1
Screw		4
Suspension bracket III		1
Suspension bracket IV		1

DESCRIPTION

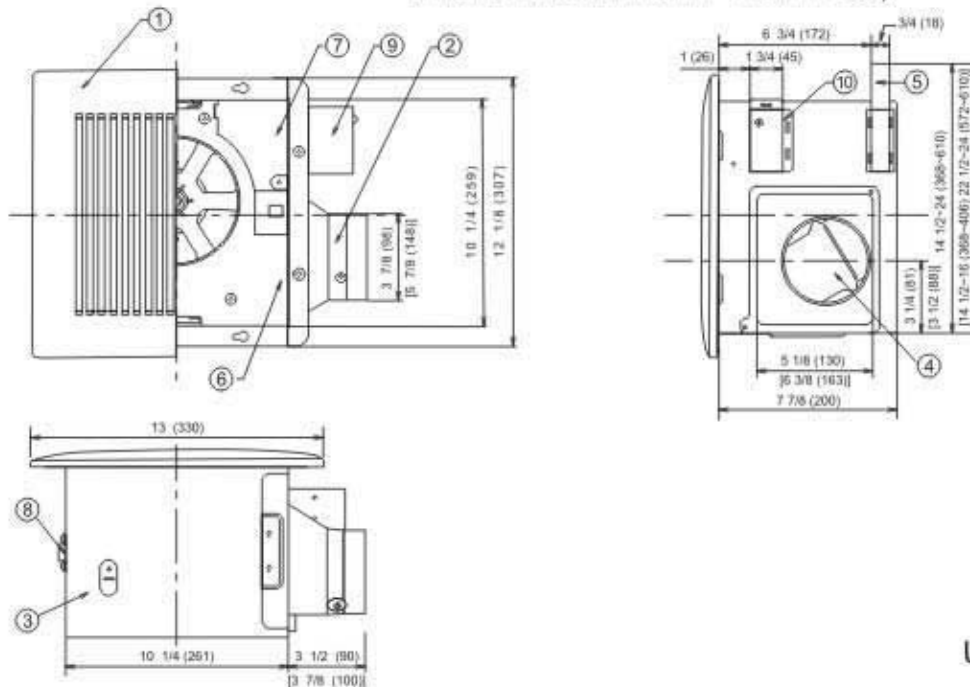
These Panasonic ceiling mount ventilating fan models use a sirocco fan with dolphin-shaped blades driven by a capacitor motor. The motor is designed to have an extended service life with reduced energy consumption. Double orifice technology is used to reduce noise. It also incorporates a thermal-cutoff for safety. The grille covering the main body is a spring-loaded, quickremove type. A damper for preventing counterflow is provided. The double orifice technology and the sirocco fan are patented.

DIMENSIONS

FV-05VQ3



FV-08VQ3 FV-11VQ3 FV-15VQ4 (The dimension in square brackets refers to FV-15VQ4 which is different from FV-08/11VQ3)



Unit: inches(mm)

No.	Part name	No.	Part name
1	Grille	6	Orifice
2	Adaptor	7	Orifice cover
3	Body	8	Bracket cover
4	Damper	9	Junction box cover
5	Suspension bracket I & II	10	Junction box

(For 16 inches on center joists, only use suspension bracket I, If more than 16 inches on center, use suspension bracket I & II.)