

SPECIFICATIONS

Model No.	Air direction	V	Hz	Duct diameter (inch)	Noise (sone)	Power consumption (W)	Speed (RPM)	Air deliver at 0.1" WG(CFM)	Weight Kg(lb.)
FV-05VQ3	Exhaust	120	60	4	< 0.3	13.0	820	50	5.6 (12.3)
FV-08VQ3				4	0.3	23.0	730	80	6.1 (13.4)
FV-11VQ3				4	0.8	31.0	810	110	6.3 (13.9)
FV-15VQ4				6	0.6	30.0	670	150	6.7 (14.8)

* At 0.1" Static pressure.
Specifications are based on HVI standard.

UNPACKING

Unpack and carefully remove unit from carton.
Refer to the Supplied Accessories list to verify that all parts are present.

GENERAL SAFETY INFORMATION

1. Do not install this ventilating fan where air temperature may exceed 40°C (104°F).
2. Make certain that the electric service supply voltage is 120V, 60 Hz.
3. Follow all local electrical and safety codes, as well as the National Electrical Code (NEC) and the Occupation Safety and Health Act (OSHA).
4. Always disconnect the power source before working on or near the fan, motor or junction box.
5. Protect the power cord from sharp edges, oil, grease, hot surfaces, chemicals or other objects.
6. Do not kink the power cord.
7. Do not install the unit where ducts are configured as shown in Fig. A.
8. Provide suction parts with proper ventilation.
9. This unit is approved for use over a bathtub or shower when installed in a GFCI protected branch circuit.



Fig. A

GENERAL SAFETY INFORMATION CONTINUED

CAUTION:

1. For general ventilating use only. Do not use to exhaust hazardous or explosive materials and vapors.
2. Not for use in cooking area. (Fig .B)
3. This product must be properly grounded.

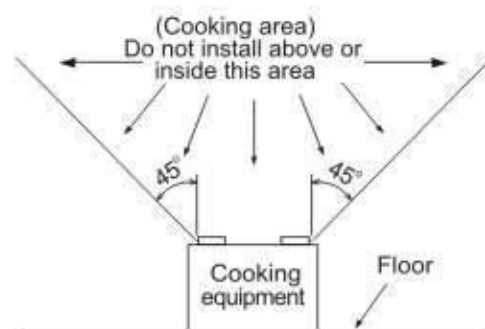


Fig. B

WARNING:

To reduce the risk of fire, electric shock or injury to persons, observe the following;

- A. Use this unit only in the manner intended by the manufacturer. If you have any questions, contact the manufacturer.
- B. Installation work and electrical wiring must be done by qualified person(s) in accordance with all applicable codes and standards, including fire-rated construction.
- C. Sufficient air is needed for proper combustion and exhausting of gases through the flue (chimney) of fuel burning equipment to prevent backdrafting. Follow the heating equipment manufacturer's guideline and safety standards such as those published by the National Fire Protection Association (NFPA), and the American Society for Heating Refrigeration and Air Conditioning Engineers (ASHRAE) and the local code authorities.
- D. When cutting or drilling into wall or ceiling, do not damage electrical wiring and other hidden utilities.
- E. Ducted fans must always be vented to the outdoors.
- F. These models are UL listed for tub and shower enclosures.
- G. Solid state controls may cause harmonic distortion which can cause motor humming noise.
- H. Before servicing or cleaning unit, switch power off at service panel and lock the service disconnecting means to prevent power from being switched on accidentally. When the service disconnecting means cannot be locked, securely fasten a prominent warning device, such as a tag, to the service panel.
- I. NEVER place a switch where it can be reached from a tub or shower.
- J. Not to be installed in a ceiling thermally insulated to a value greater than R40.

INSTALLATION I (JOIST MOUNTING)

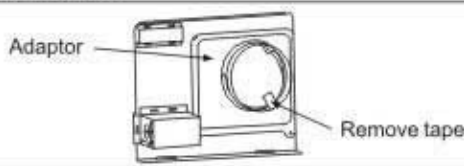
1. Open the orifice cover, disconnect plug connector from receptacle before starting installation.

Press and hold the claw of orifice cover to open the orifice cover.



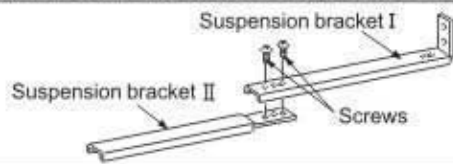
IMPORTANT:

Remove the tape from adaptor before installation. As show below:



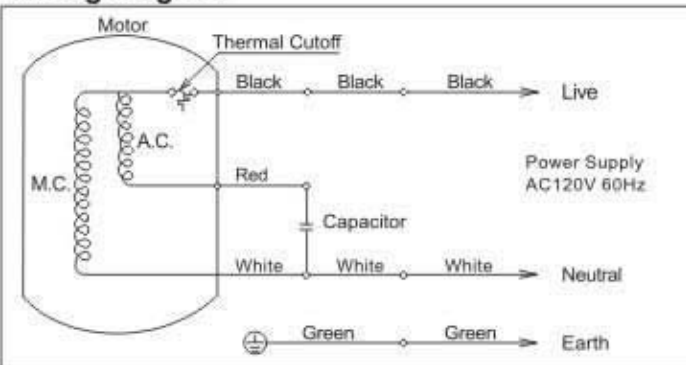
2. Remove adaptor from body and secure to ceiling joists using long screws. (Fig.1)
Keep the distance B (7/8 inch, 21.6mm) for the thickness of ceiling board.

If joist spacing A is 24 inches on center, connect suspension Brackets I and II as shown below.



3. Remove junction box cover and secure conduit to junction box knock-out hole. (Fig.2)
4. Refer to wiring diagram below.
Using wire nuts, connect house power wires to ventilating fan wires:
black to black; white to white; green to green.
Replace the junction box cover.

Wiring diagram



CAUTION:

Mount junction box cover carefully so that lead wires are not pinched.

5. Install a circular duct (a 4 inch duct for 05/08/11VQ3 or 6 inch duct for 15VQ4) and secure it with duct tape.

