

INSTALLATION I (JOIST MOUNTING) CONTINUED

6. Cut out ceiling section. (Fig.3)

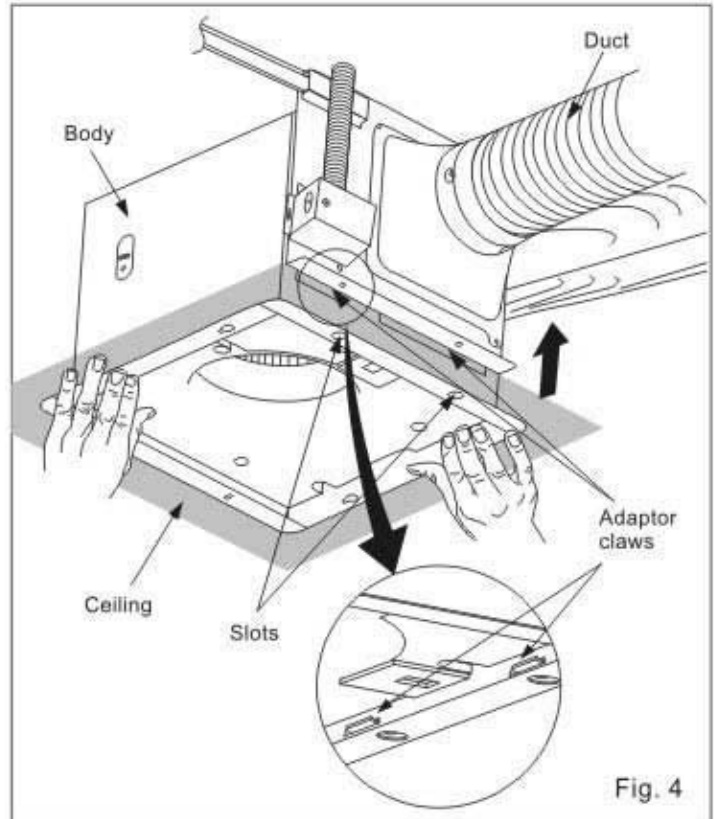
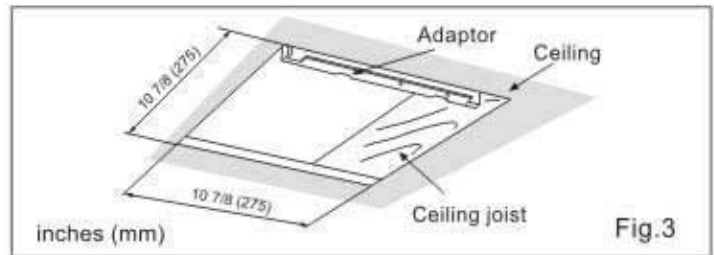
7. Insert fan body into ceiling. (Fig.4)

IMPORTANT:

Make sure that adaptor claws are properly inserted into body slots.

8. Open the orifice cover, secure fan body to adaptor using thumb screw. (Fig.5)

9. Plug connector to receptacle. (Fig.6)



When mounting body and blower separately

1. Loosen 3 screws (but do not remove them from blower). (Fig.7-1)

2. Remove blower section. (Fig.7-2)

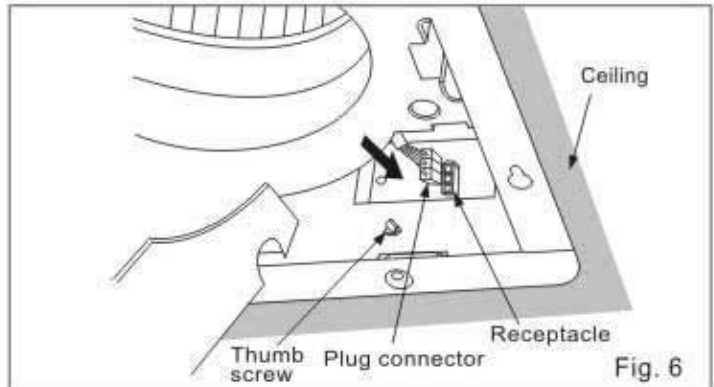
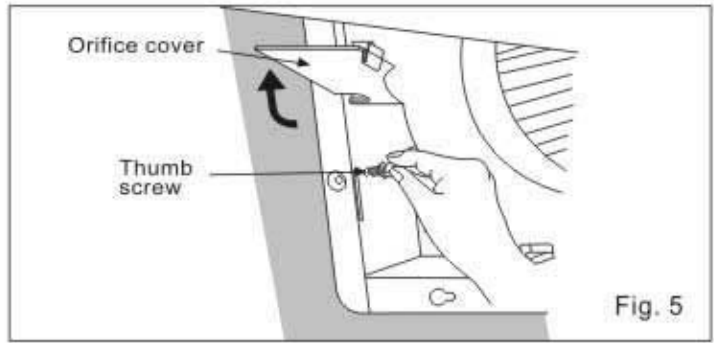
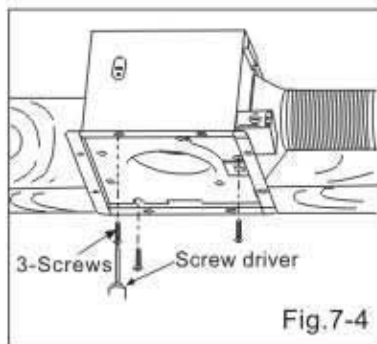
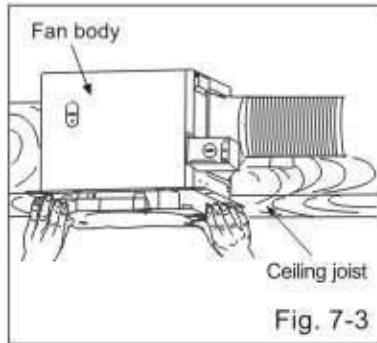
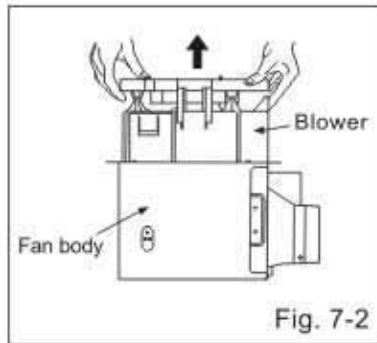
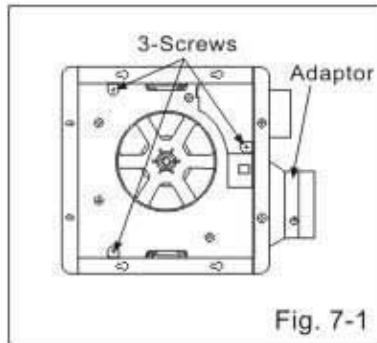
3. Remove adaptor from fan body and secure to ceiling joists as in Fig.1 of page 6.

4. Insert fan body (without blower section) into ceiling. (Fig.4)

5. Secure the adaptor and fan body using thumb screw. (Fig.5)

6. Insert the blower into the fan body. (Fig.7-3)

7. Secure the blower. (Fig.7-4)



INSTALLATION I (JOIST MOUNTING) CONTINUED

- Secure fan body to ceiling joists using long screws in vertical direction. (Fig.8)

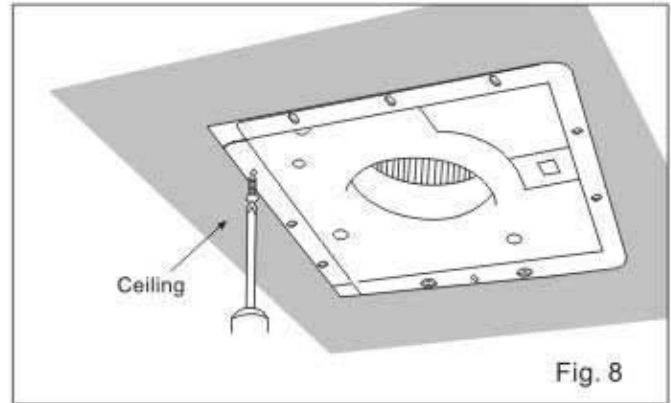


Fig. 8

- Insert mounting springs into slots as shown and mount grille to fan body. (Fig.9)

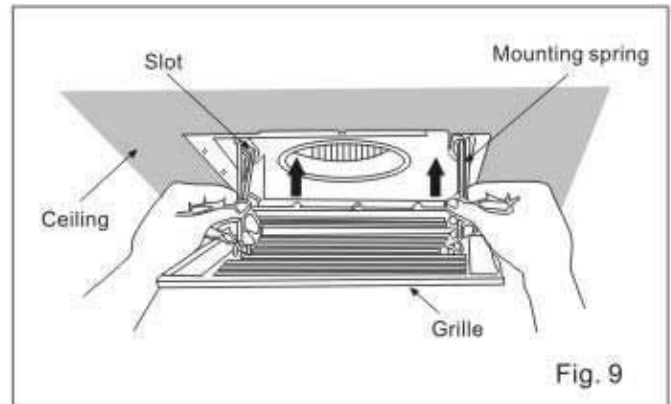


Fig. 9

INSTALLATION II (I JOIST MOUNTING)

4 kind of I joist inches (mm)	
C1	5/8 (14.3)
C2	3/4 (17.5)
C3	1 (24.6)
C4	1 1/2 (38.9)

Suspension bracket IV
The suspension bracket IV can comply with different kind of I joists.

- Before installation, open the orifice cover secure fan body to adaptor using thumb screw. (Fig.10)
- Connect the suspension bracket IV to fan body. (Fig.11)
(Select the hole by checking I joist size fix the screw to the frame hole.)

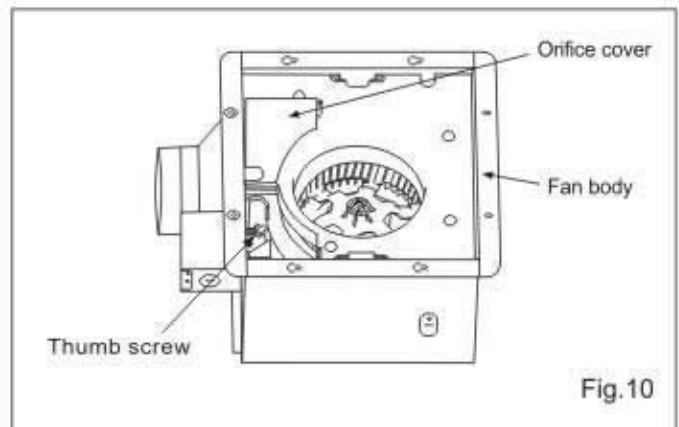


Fig.10

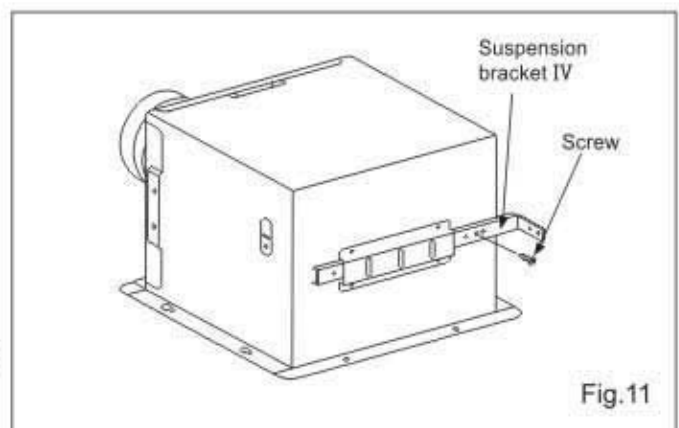
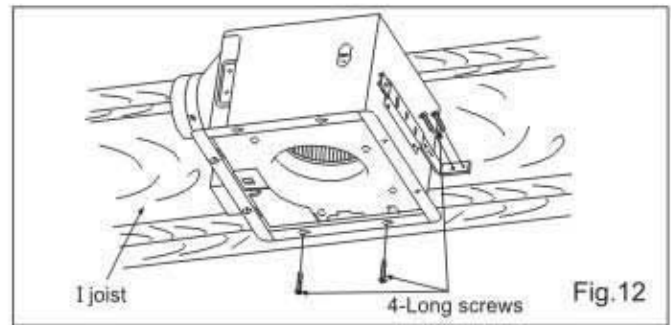


Fig.11

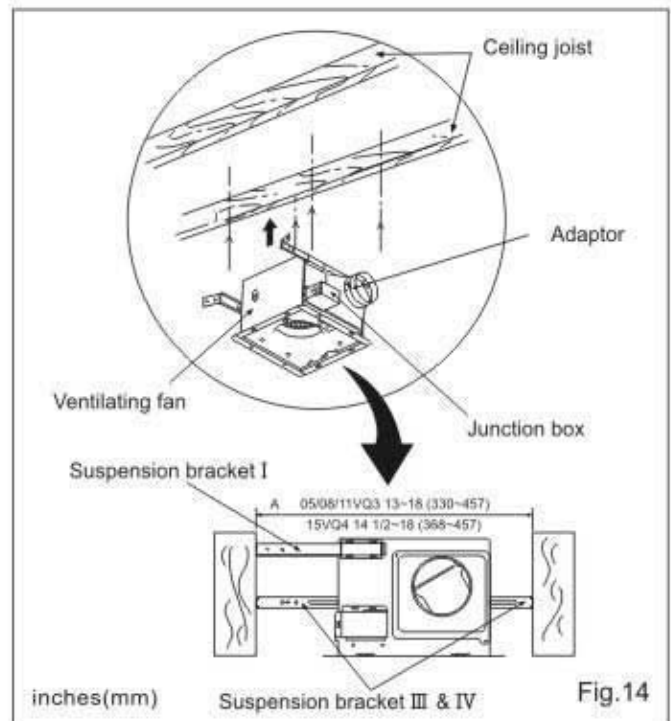
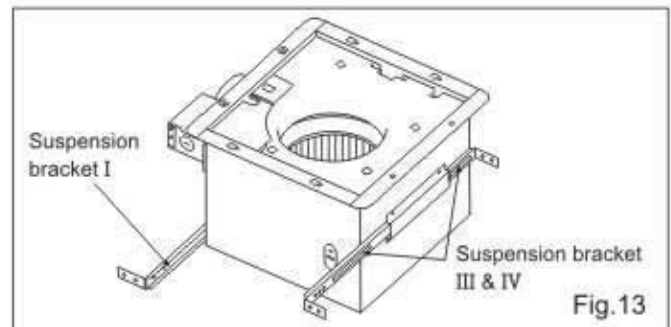
INSTALLATION II (I JOIST MOUNTING) CONTINUED

3. Connect the ventilating fan to the I joist. (Fig.12)
4. Inspect duct work and wiring following the procedures described in Installation I.
5. Mount the grille to fan body. (Fig.9 of page 8)



INSTALLATION III (BETWEEN JOIST MOUNTING)

1. Before installation, secure adaptor to fan body using thumb screws. (Fig.10 of page 8)
2. Attach the suspension bracket to the bracket cover of adaptor side and the back of the fan body. (Fig.13)
3. Insert the fan body between joist. Make sure the fan body is level and square (perpendicular) with the joists. Keep the flange and joists on the same level. (Fig.14)



4. Secure the suspension brackets with the long screws. (Fig.15, Fig.16 of page 10)

