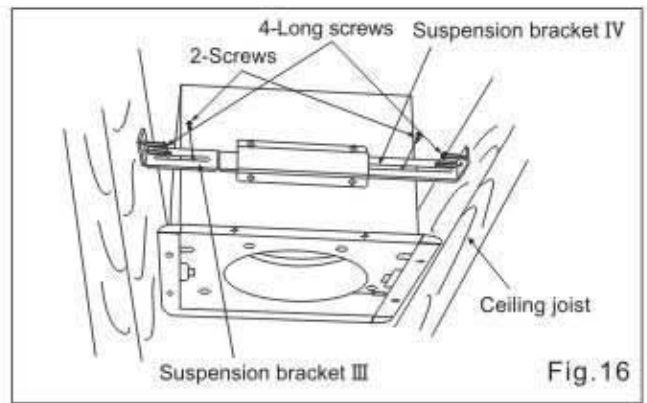


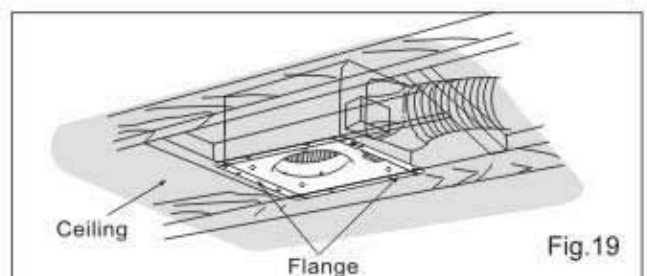
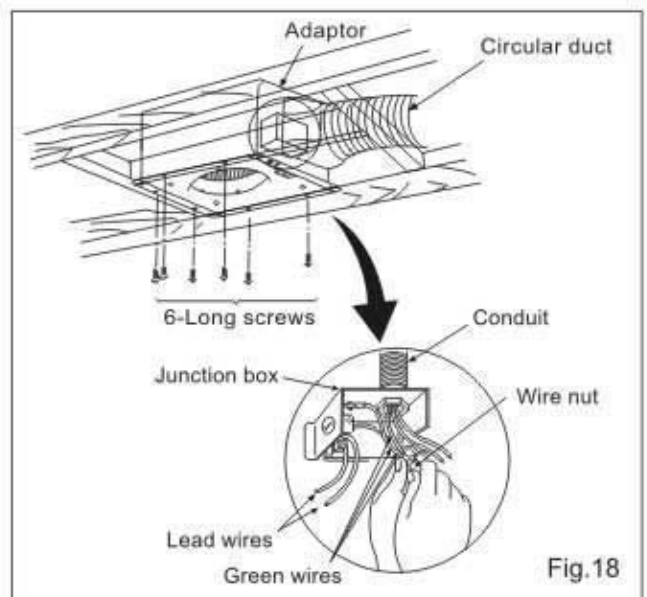
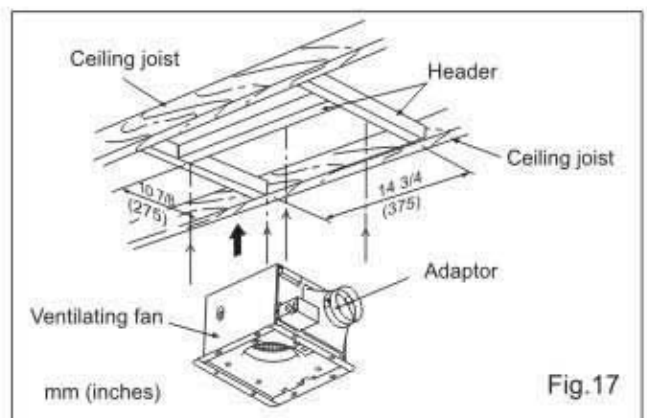
INSTALLATION III (BETWEEN JOIST MOUNTING) CONTINUED

- Secure the suspension bracket III & IV to the fan body using short screws. (Fig.16)
- Inspect duct work and wiring following Fig.2 of page 6.
- Finish ceiling work and mount the grille to fan body. (Fig.3 of page 7, Fig.9 of page 8)



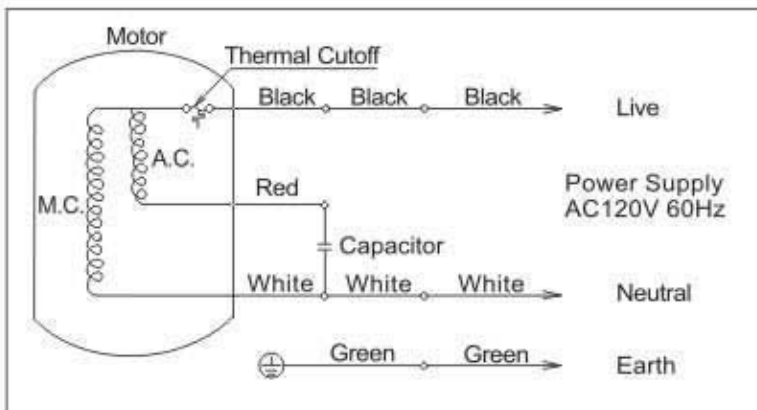
INSTALLATION IV (WOODEN HEADER)

- Before installation, secure fan body to adaptor using thumb screw. (Fig.10 of page.8)
- Install header between ceiling joists using nails or screws.
- Install the ventilating fan and secure with screws. (Fig.17, Fig.18)
- Insert the circular duct to the adaptor. Remove the junction box cover and secure conduit to junction box knockout hole. (7/8 inch) (Fig.18)
- Refer to wiring diagram. Using wire nuts, connect house power wires to ventilating fan wires: black to black; white to white; green to greens. Replace the junction box cover.



CAUTION:
Mount junction box cover carefully so that lead wires are not pinched

Wiring diagram



- Finish ceiling work. Ceiling hole should be aligned with edge of the flange. (Fig.19)
- Mount grille to fan body. (Fig.9 of page 8)

INSTALLATION V (IN EXISTING CONSTRUCTION)

1. Installation in existing construction.

Installing the ventilating fan in an existing building requires an accessible area (attic or crawl space) above the planned installation location or existing ducting and wiring.

- (1) To install the ventilating fan, follow the procedures described in Installation IV. Take the following precautions before installation.

CAUTION:

Check area above planned installation location to be sure that:

1. Duct work can be installed and that area is sufficient for proper ventilation.
2. Wiring can be run to planned location.
3. No wiring or other obstructions will interfere with installation.

(2) Inspect duct work and wiring before proceeding with installation.

(3) Plan suitable location for ventilating fan. (next to ceiling joist)

(4) Before installation, provide inspection and maintenance access at a location that will not interfere with installation work shown in installation IV.

(5) First, remove ceiling section according to Fig.3 of page 7.

(6) Install ventilating fan.

2. Installation from accessible area above fan location.

(1) Inspect duct work and wiring before proceeding with installation.

(2) Remove ceiling section according to Fig.3 of page 7.

(3) Install ventilating fan.

MAINTENANCE

WARNING:

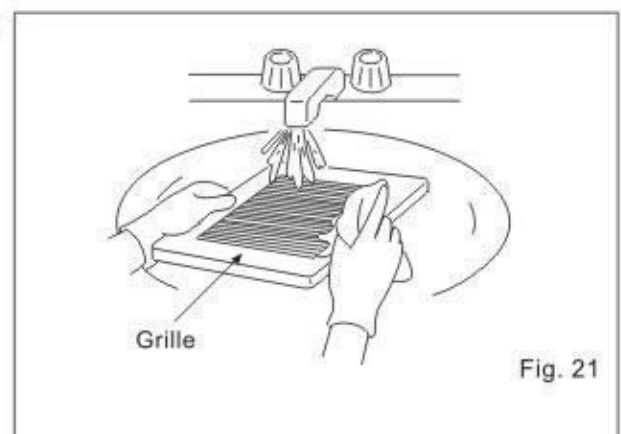
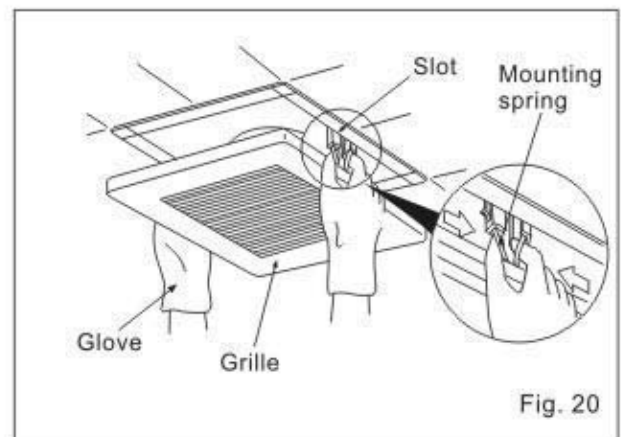
Disconnect power source before working on unit. Routine maintenance must be done every year.

CAUTION:

1. Never use petrol, benzene, thinner or any other such chemicals for cleaning the ventilating fan.
2. Do not allow water to enter motor.
3. Do not immerse resin parts in water over 60°C.

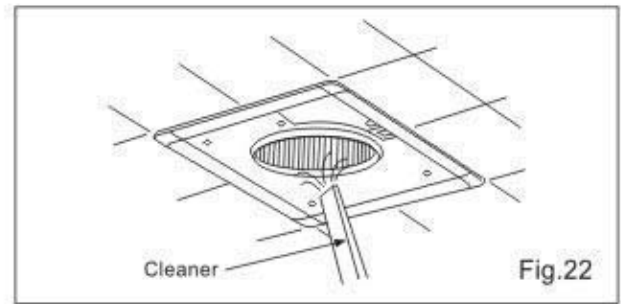
1. Remove grille. (Squeeze mounting spring and pull down carefully.) (Fig.20)

2. Wash and clean grille. (Use non-abrasive kitchen detergent, wipe dry with new cloth.) (Fig.21)

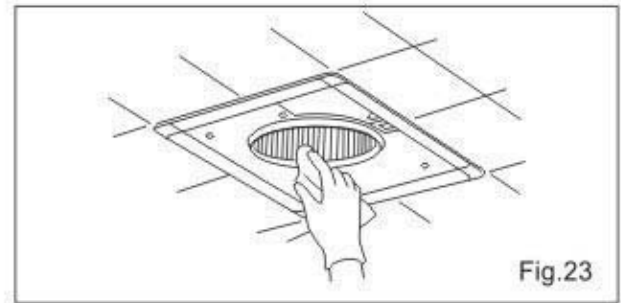


MAINTENANCE CONTINUED

3. Remove dust and dirt from fan body using a vacuum cleaner. (Fig.22)



4. Using a cloth dampened with kitchen detergent, remove any dirt from fan body. Wipe dry with new cloth. (Fig.23)

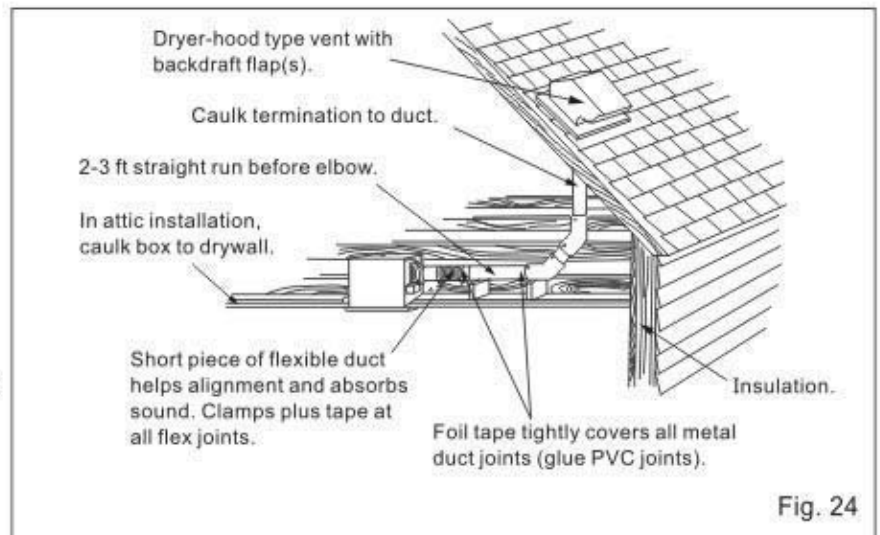


5. Replace grille.

PRACTICAL GUIDE TO INSTALLATION

Properly insulate the area around the fan to minimize building heat loss and gain. (Fig.24)

Loose fill or batt insulation can be placed directly over the fan housing in the attic. Panasonic fans and fan/light combination units do not create excessive heat that is a common problem with recessed light fixtures or some competitors' fan/light combinations. Our efficient, cool-running motors and our fluorescent bulbs do not create enough ambient heat to be subjected to these limitations.



PRODUCT SERVICE

Warning Concerning Removal of Covers.

The unit should be serviced by qualified technicians only. No service information is provided for customers. Your product is designed and manufactured to ensure a minimum of maintenance. However, should your unit ever require service, a nationwide system of factory service centers and AUTHORIZED INDEPENDENT SERVICE CENTERS is maintained to support your product's warranty. (In the U.S.A., call 1-866-292-7292 to locate the Panasonic Authorized Service Center nearest you.)

PANASONIC CONSUMER ELECTRONICS COMPANY

One Panasonic Way, Secaucus, NJ, 07094

PANASONIC CANADA INC.

5770 Ambler Drive, Mississauga, ON L4W 2T3