



FVN1019

OVALE

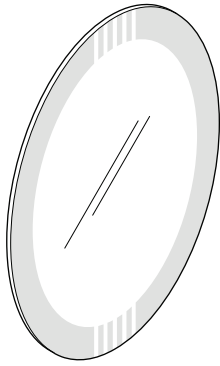
INSTALLATION GUIDE

CONTENTS:

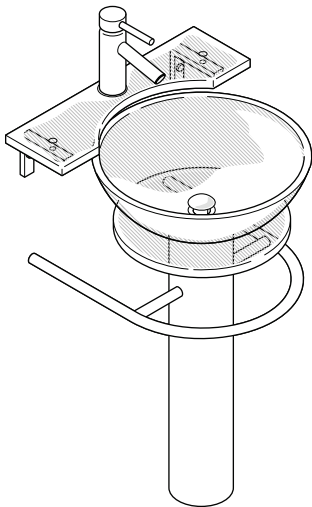
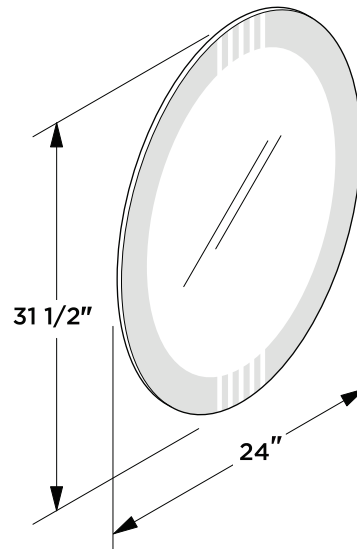
Combo Unit.....(CMB1019)	PAGE 2
Mirror.....(FMR1019)	PAGE 3



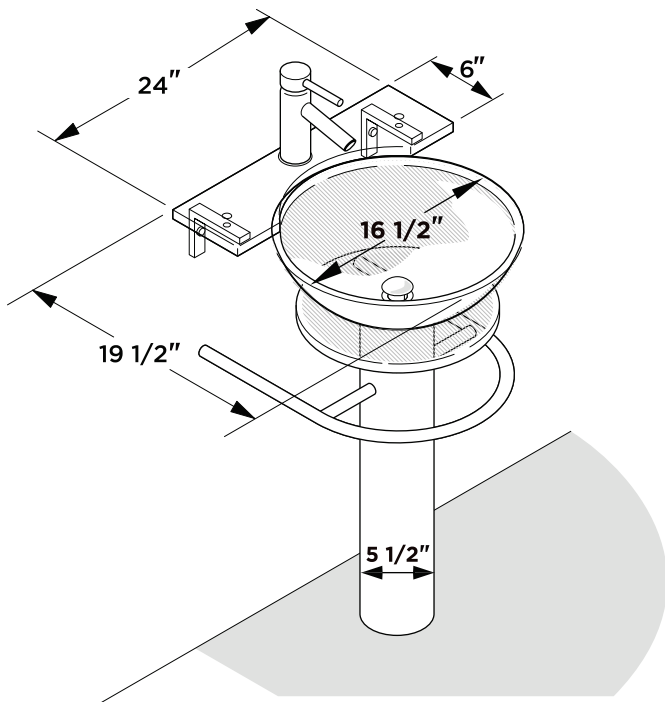
FVN1019 OVALE INSTALLATION GUIDE



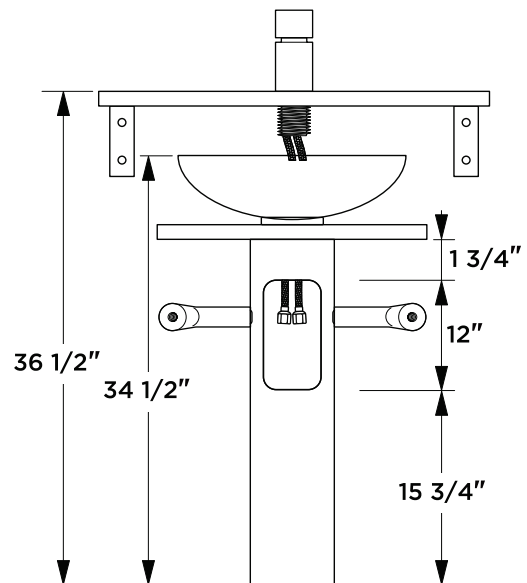
Mirror



Vanity Front

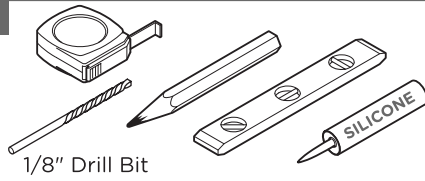
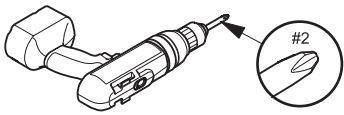


Vanity Back



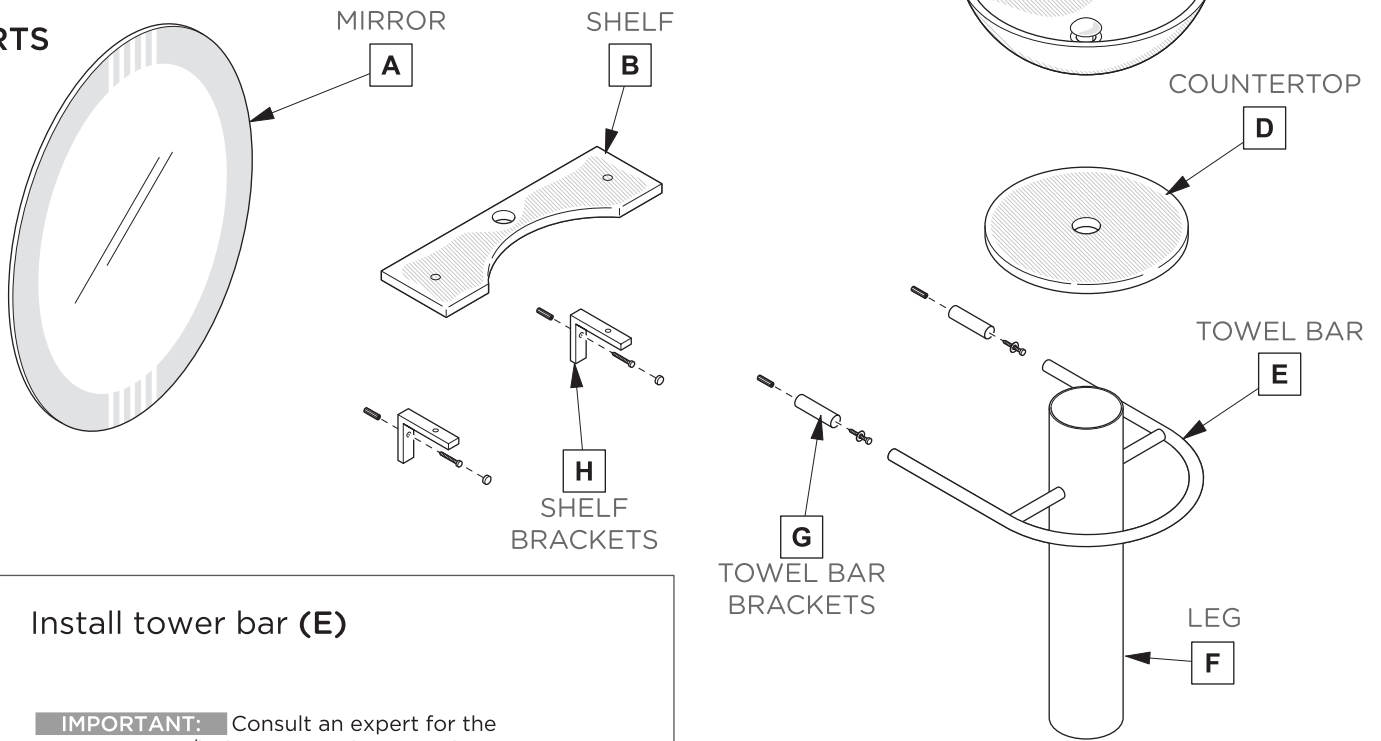
NOTE: ALL DIMENSIONS & SPECIFICATIONS ARE APPROXIMATE AND SUBJECT TO CHANGE WITHOUT NOTICE.

TOOLS FOR ASSEMBLY



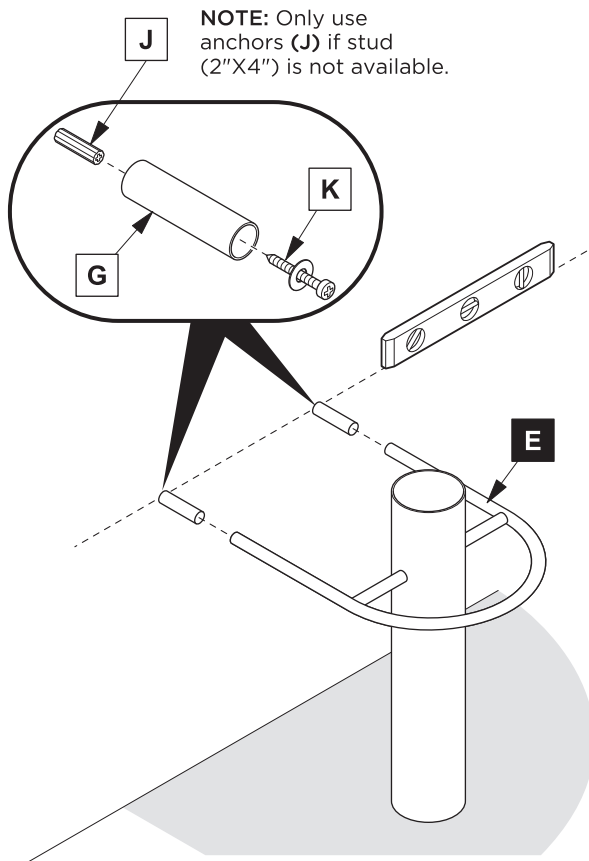
1/8" Drill Bit

PARTS

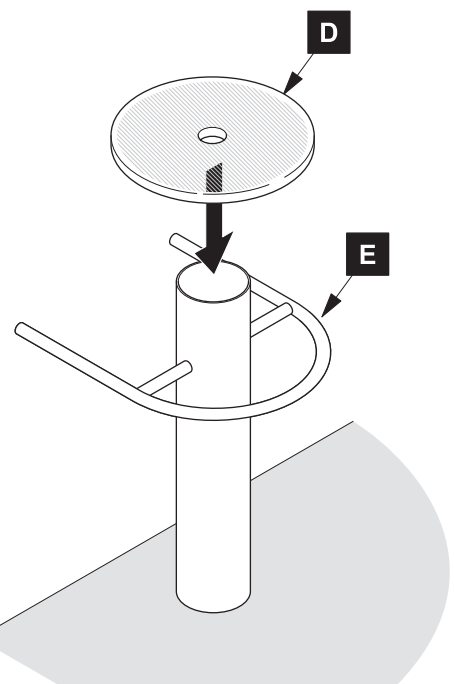


1 Install tower bar (E)

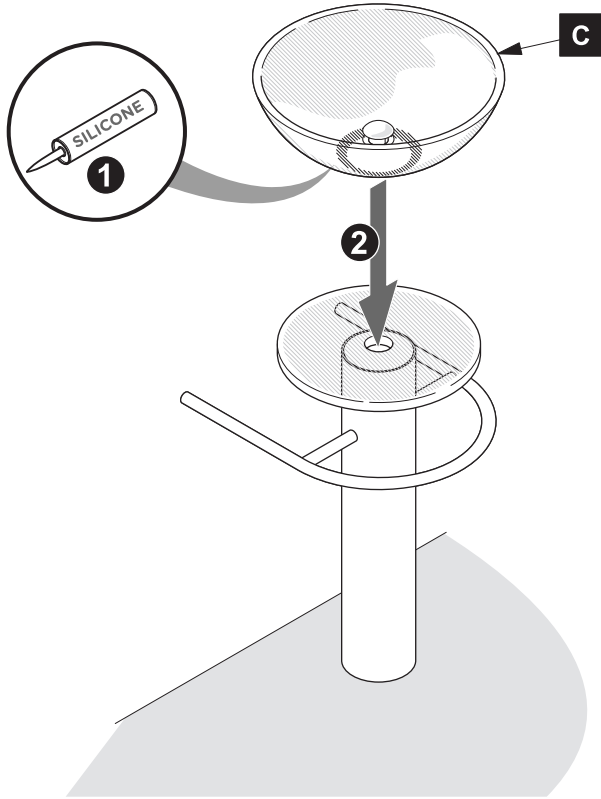
IMPORTANT: Consult an expert for the proper screws/bolts to use when attaching to various constructions. Screws provided do not attach to all wall construction types.



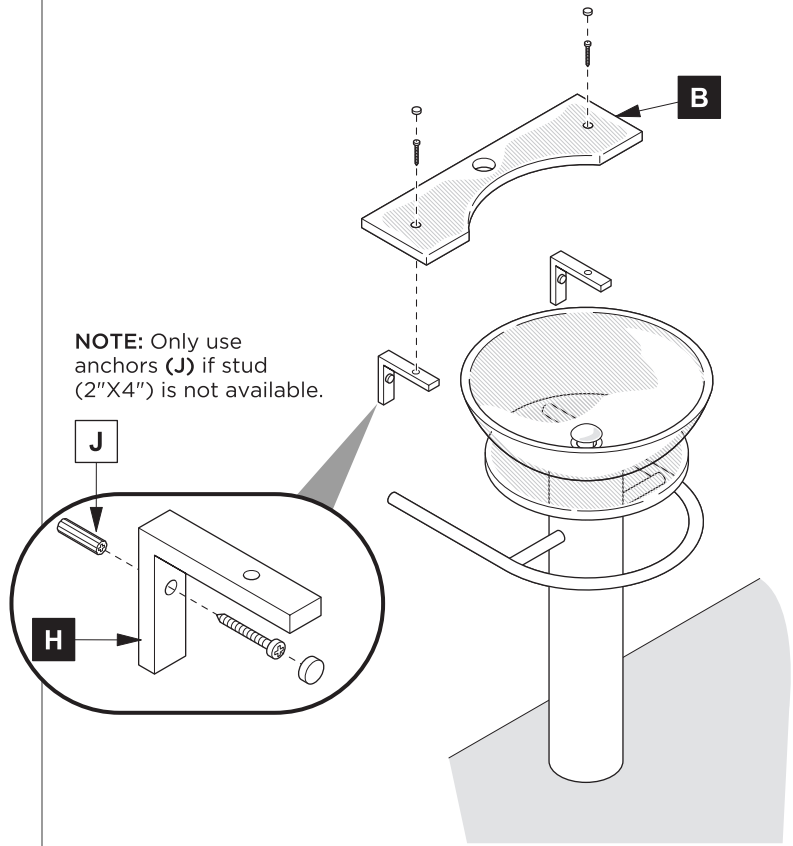
2 Install countertop (D)



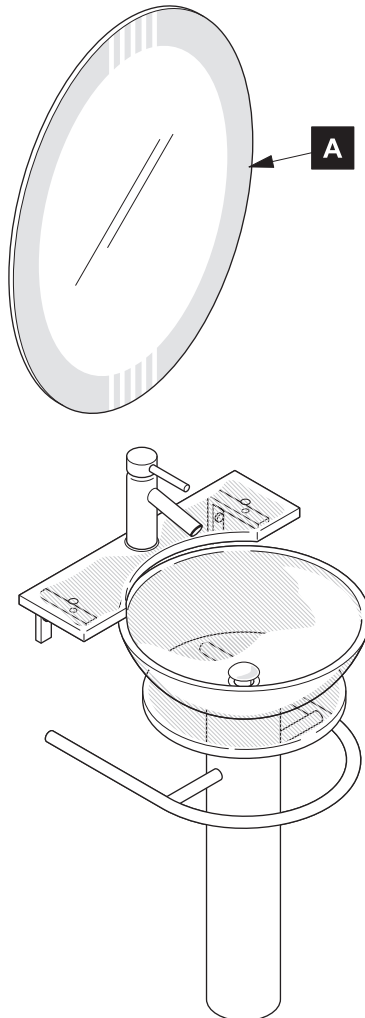
3 Install sink (C)



4 Install shelf (B)



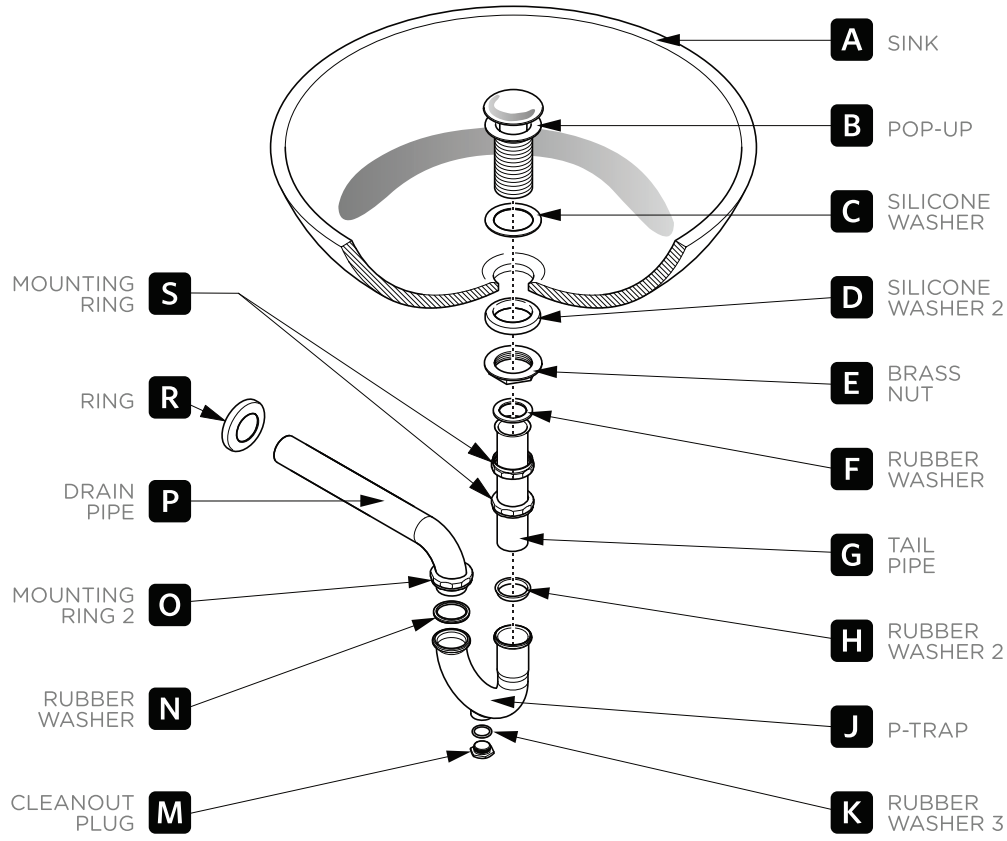
5 Install mirror (A)



P-TRAP & POP-UP

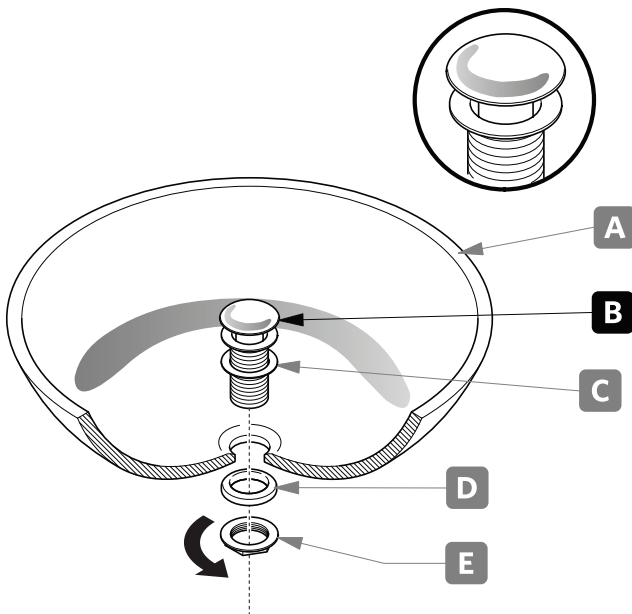
INSTALLATION INSTRUCTIONS

Your item may appear slightly different from the illustration.



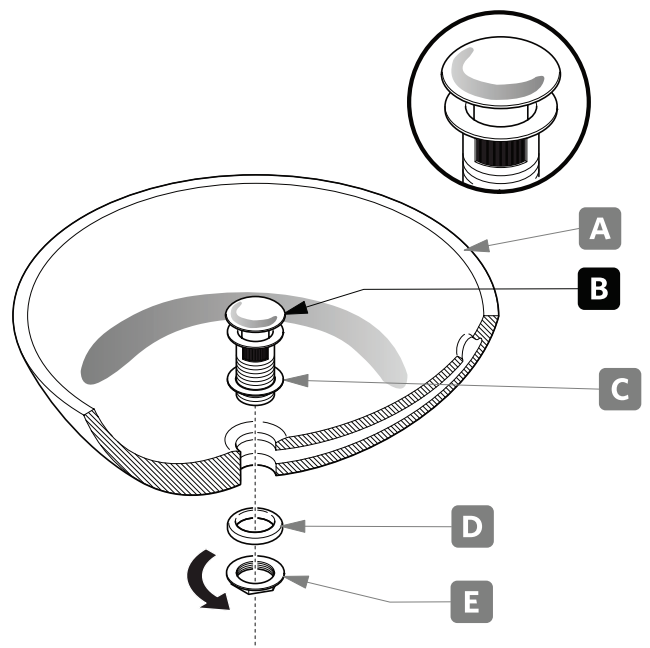
POP-UP INSTALLATION

FOR SINKS WITHOUT OVERFLOW



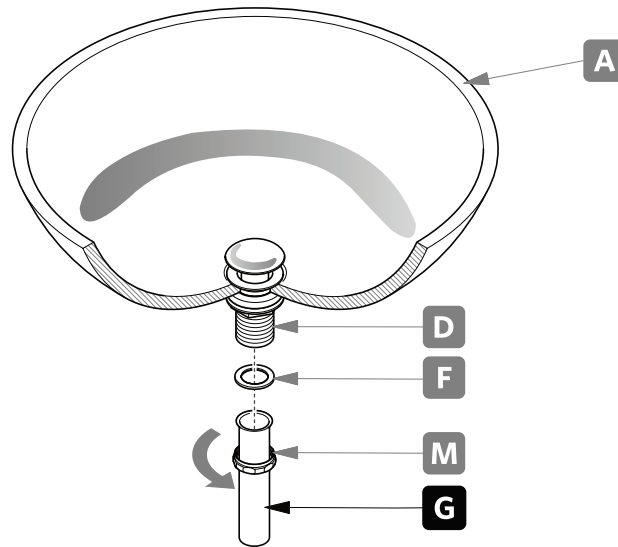
OR

FOR SINKS WITH OVERFLOW



P-TRAP INSTALLATION

1. Install tail pipe **(G)**.



2. Install P-trap **(J)**.

