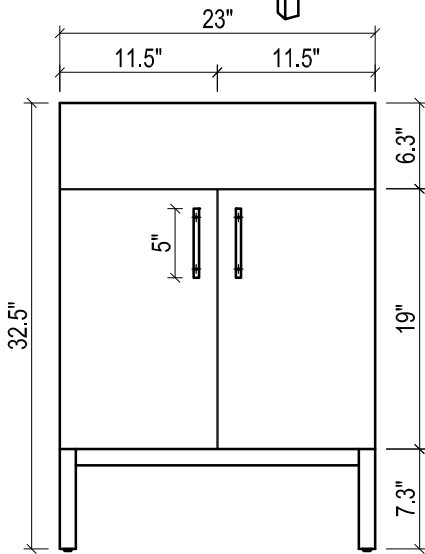
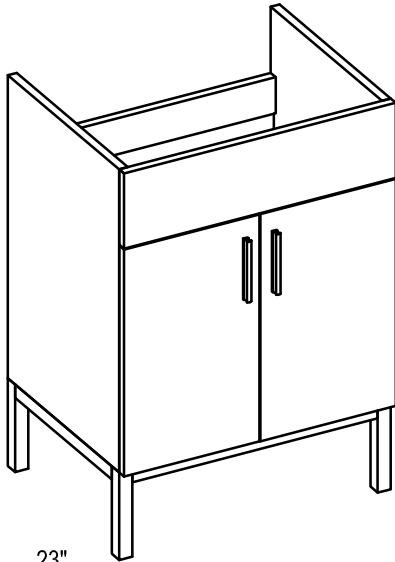
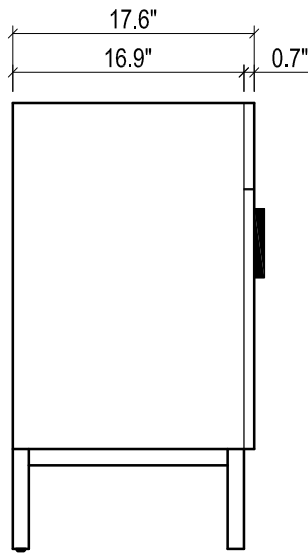


DAYTONA FOR KIRA

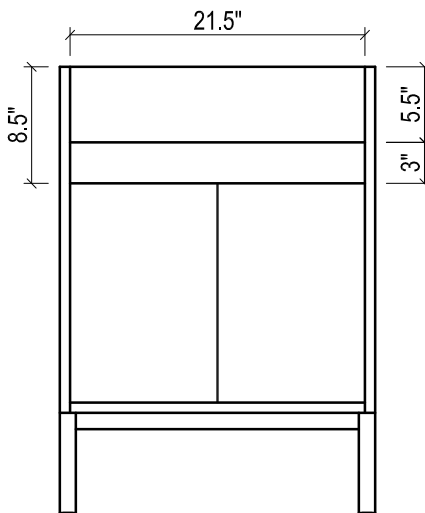
- WALL HUNG option is also available for this model.
Vanity height without legs is 25.3".
- Quality metal BLUM (or BLUM equivalent) soft-closing hinges and/or drawer hardware are included.



FRONT VIEW

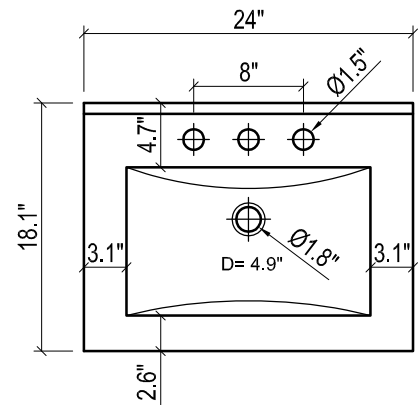
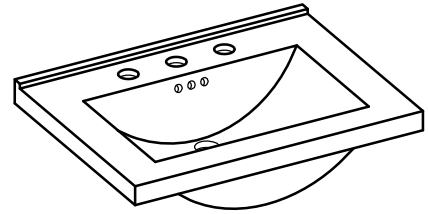


SIDE VIEW

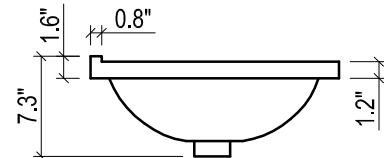


BACK VIEW

KIRA CERAMIC SINK



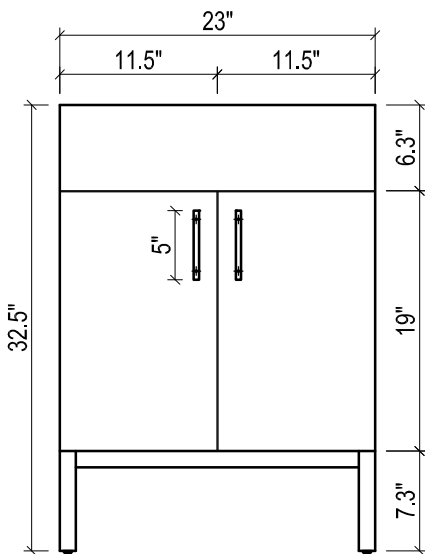
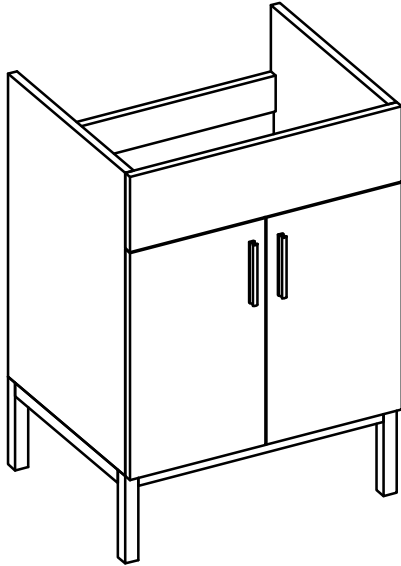
TOP VIEW



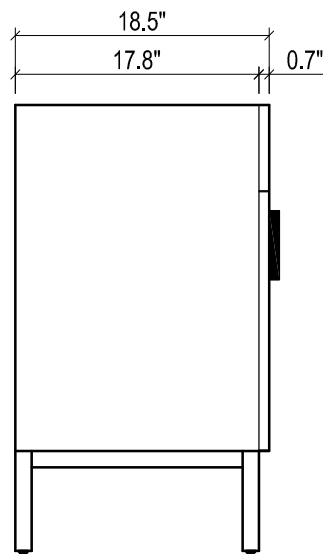
SIDE VIEW

DAYTONA FOR TRIBECA

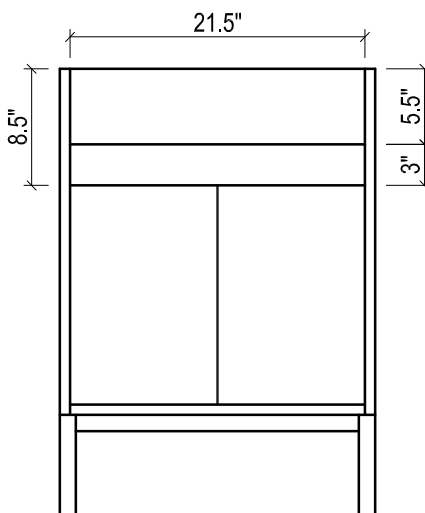
- WALL HUNG option is also available for this model. Vanity height without legs is 25.3".
- Quality metal BLUM (or BLUM equivalent) soft-closing hinges and/or drawer hardware are included.



FRONT VIEW



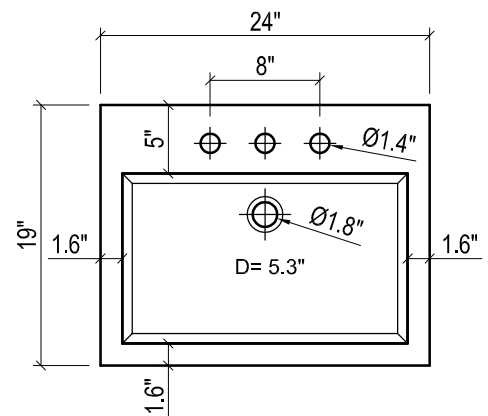
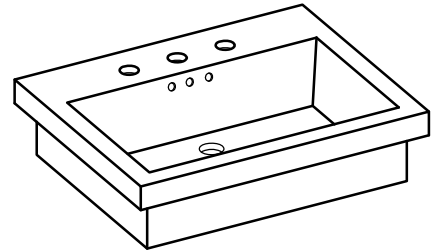
SIDE VIEW



BACK VIEW

TRIBECA CERAMIC SINK

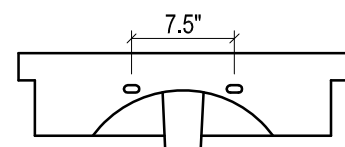
(available in 1 hole or 8" faucet drills)



TOP VIEW



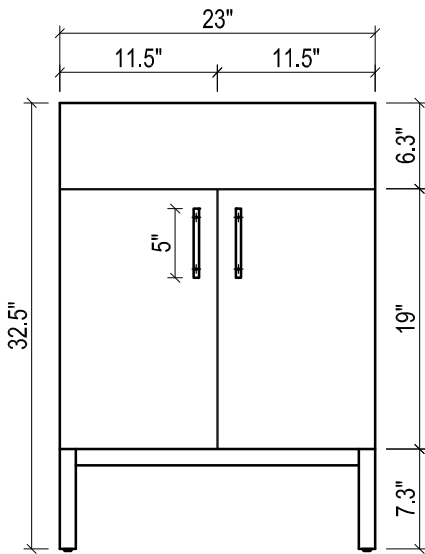
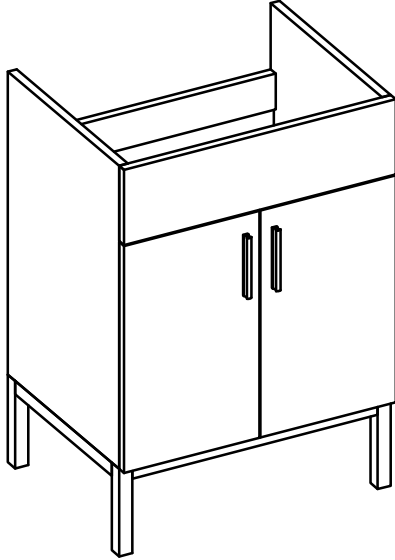
FRONT VIEW



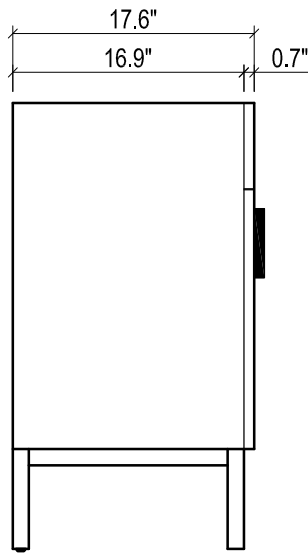
BACK VIEW

DAYTONA FOR VENICE

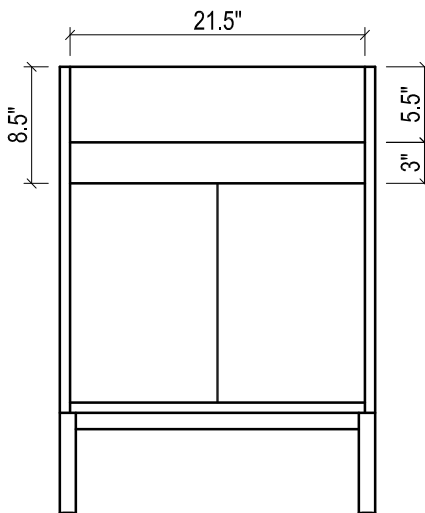
- WALL HUNG option is also available for this model.
Vanity height without legs is 25.3".
- Quality metal BLUM (or BLUM equivalent) soft-closing hinges and/or drawer hardware are included.



FRONT VIEW

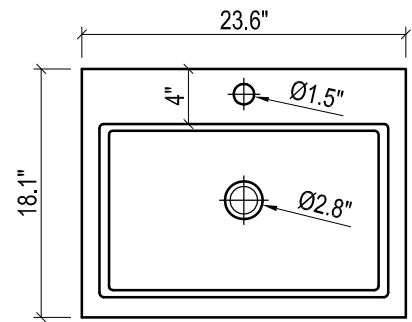
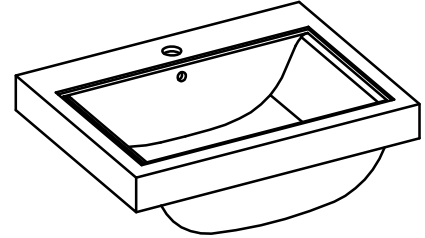


SIDE VIEW

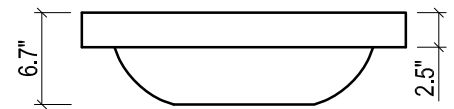


BACK VIEW

VENICE CERAMIC SINK



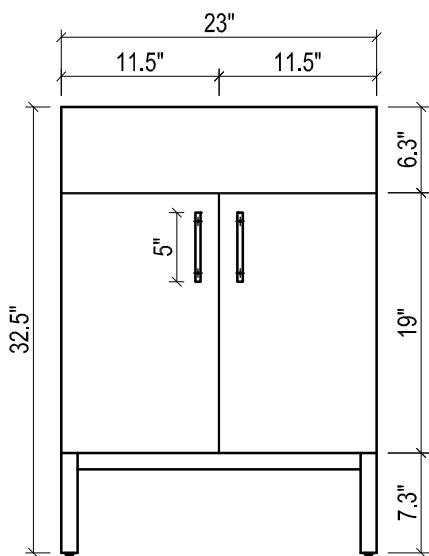
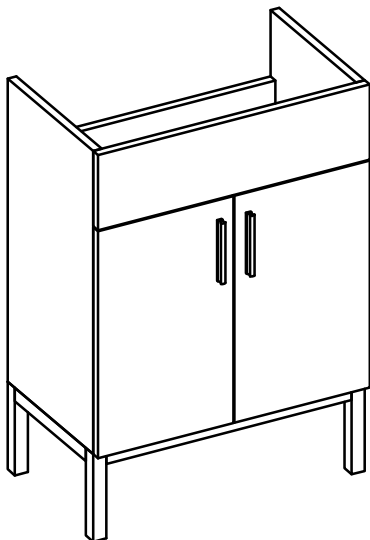
TOP VIEW



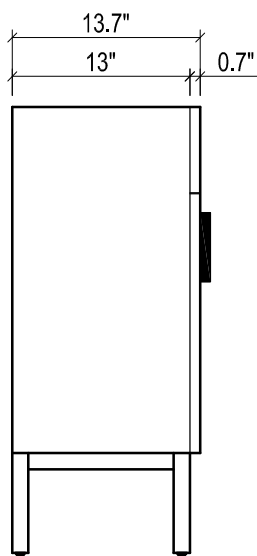
FRONT VIEW

DAYTONA FOR VILLA

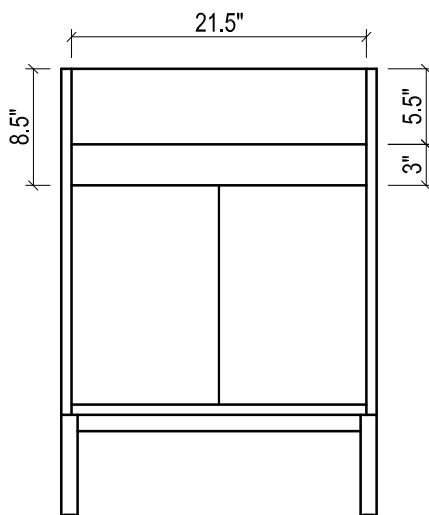
- WALL HUNG option is also available for this model.
Vanity height without legs is 25.3".
- Quality metal BLUM (or BLUM equivalent) soft-closing hinges and/or drawer hardware are included.



FRONT VIEW

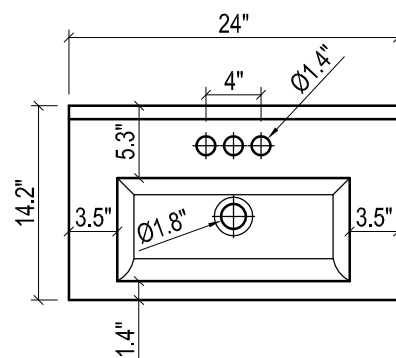
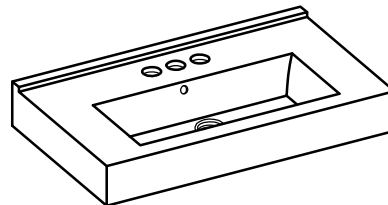


SIDE VIEW



BACK VIEW

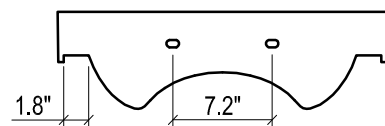
VILLA CERAMIC SINK



TOP VIEW



SIDE VIEW



BACK VIEW