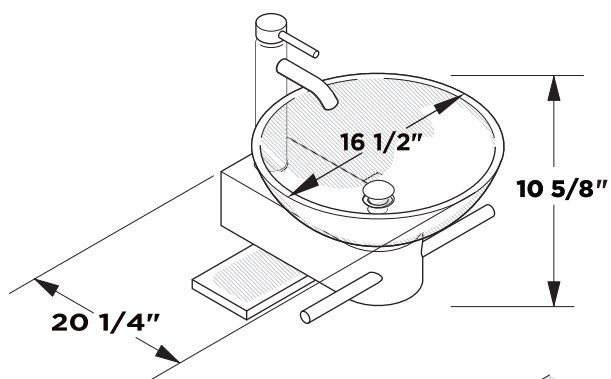
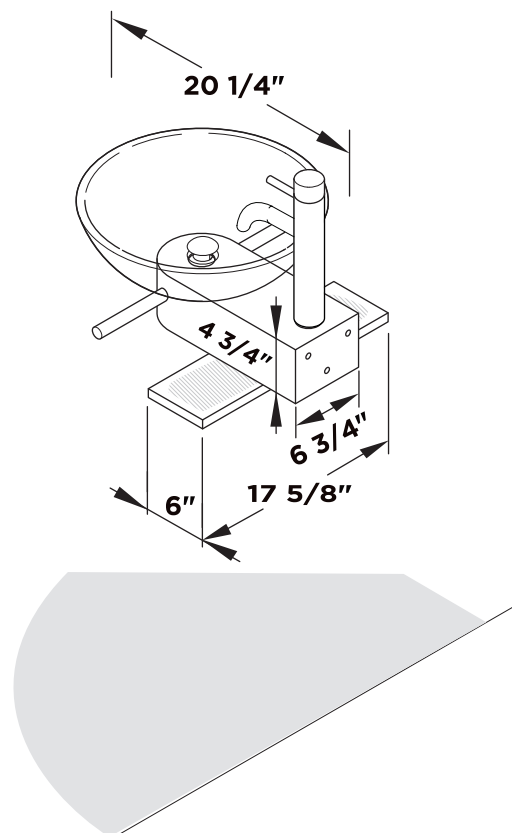


Vanity Front

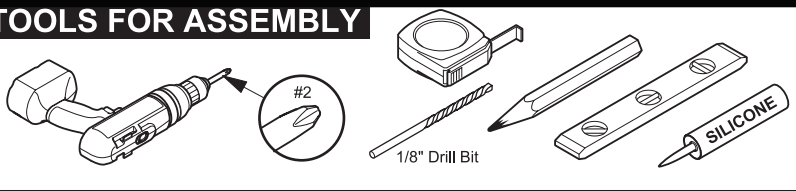


Vanity Back

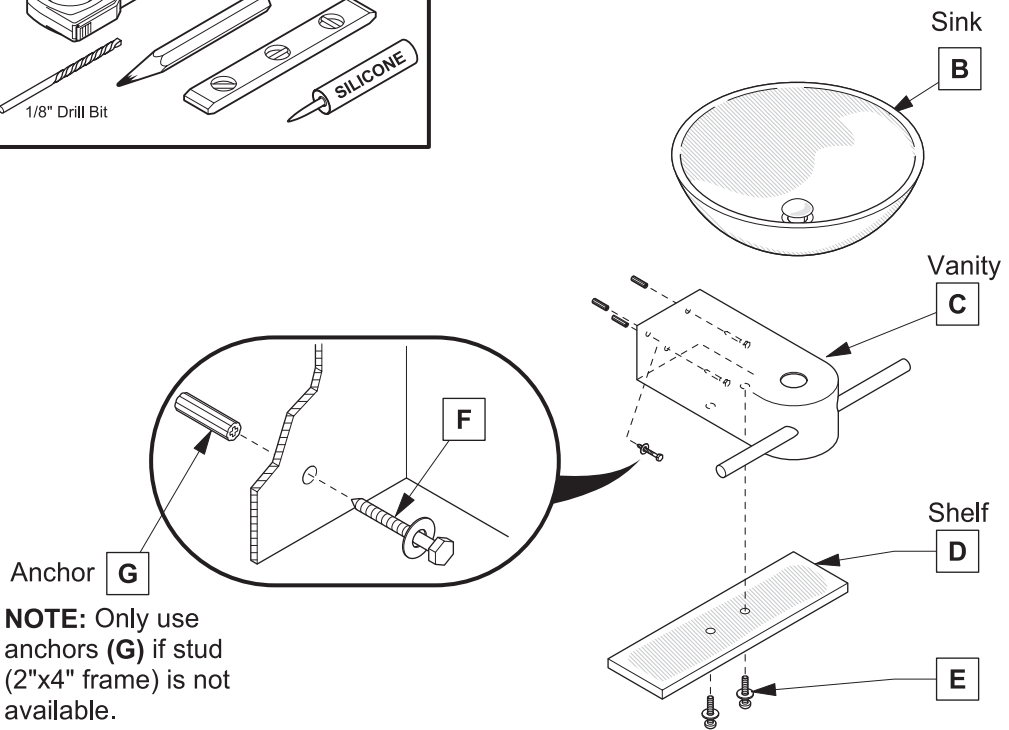


Note: All dimensions and specifications are approximate and subject to change without notice.

TOOLS FOR ASSEMBLY

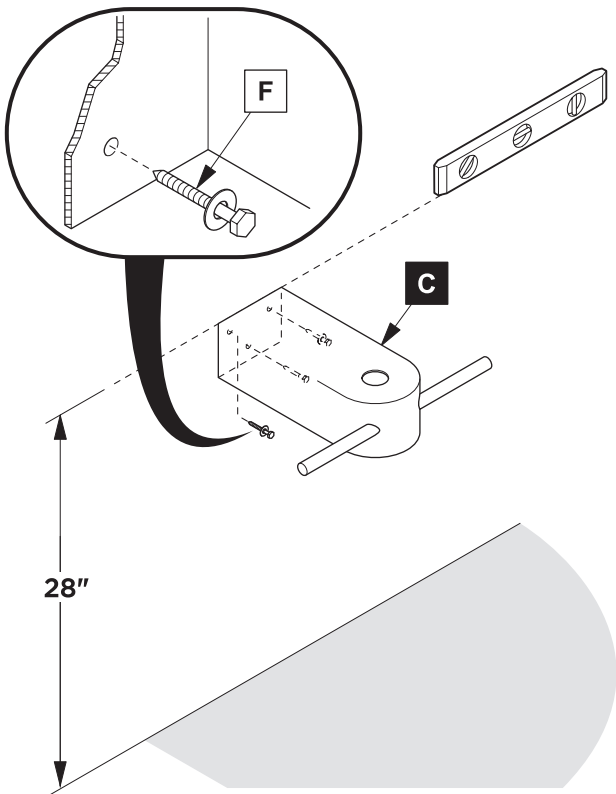


PARTS

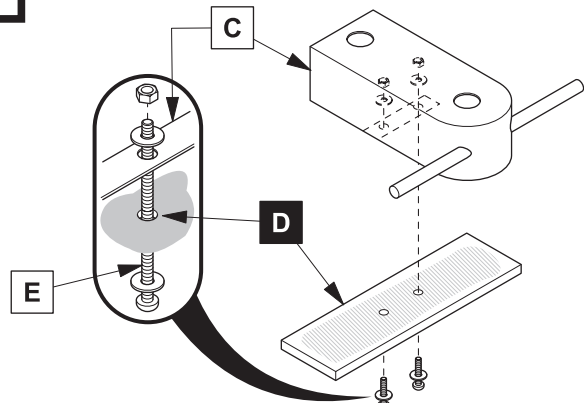


1 Install vanity (**C**)

IMPORTANT: Consult an expert for the proper screws/bolts to use when attaching to various wall constructions. Screws provided do not attach to all wall construction types.

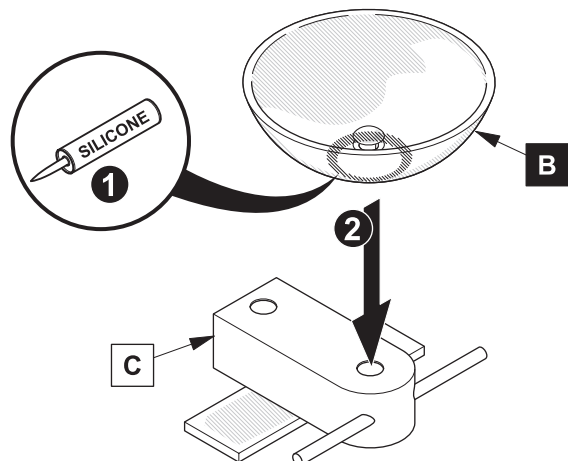


3 Install shelf (**D**)



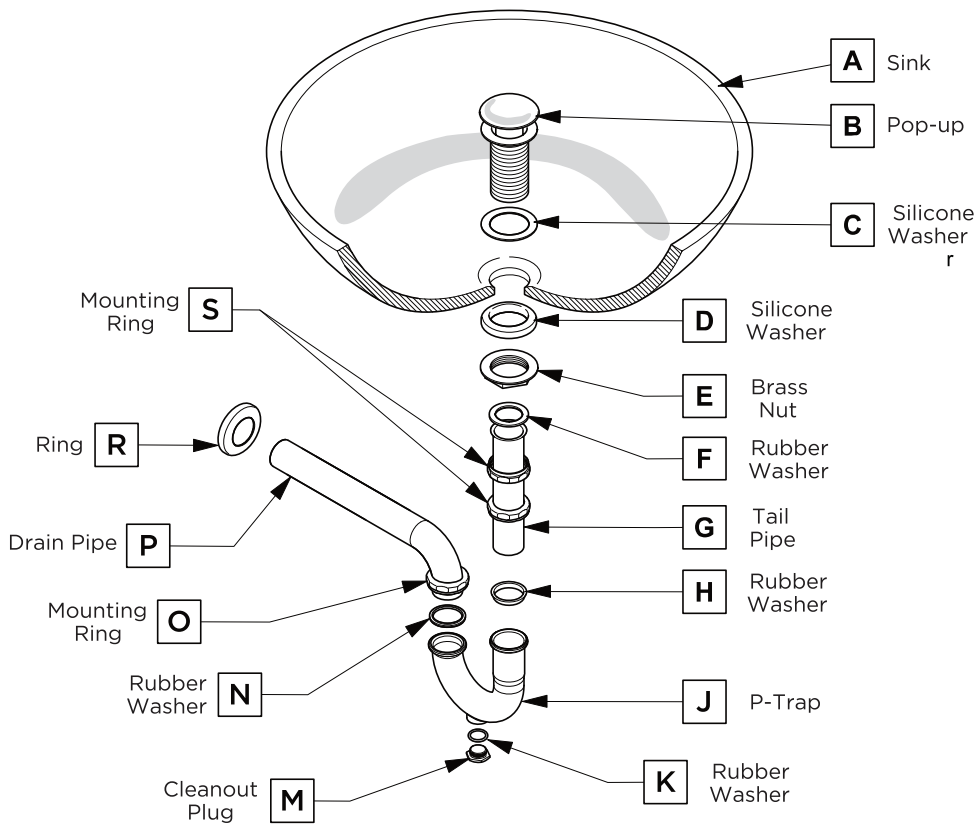
3 Install sink (**B**)

4 Install mirror (**A**)



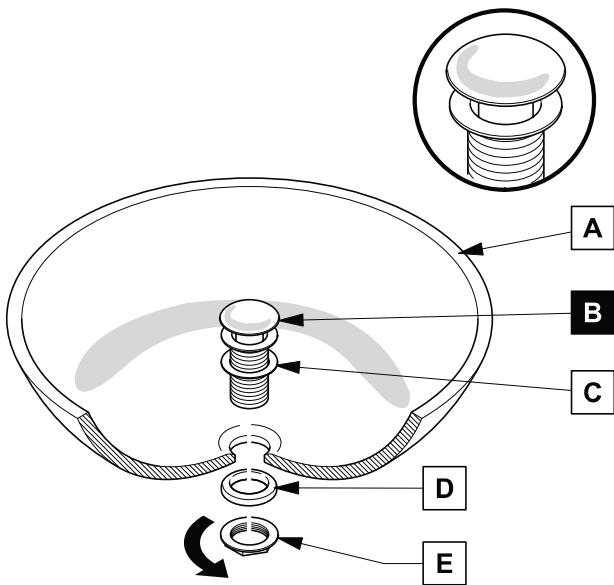
P-TRAP AND POP-UP INSTALLATION INSTRUCTIONS

Your item may appear slightly different from the illustration



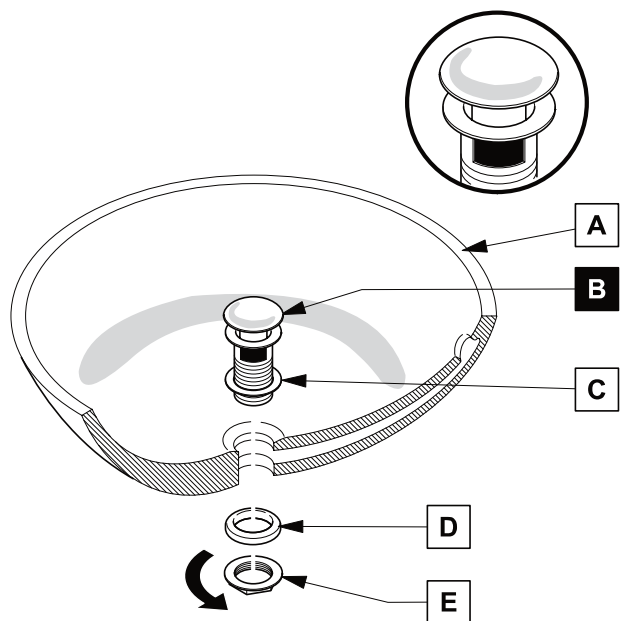
POP-UP INSTALLATION

FOR SINKS WITHOUT OVERFLOW



OR

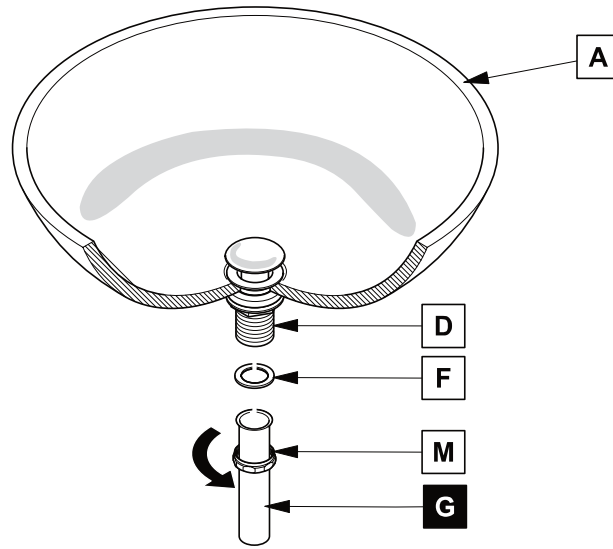
FOR SINKS WITH OVERFLOW



P-TRAP INSTALLATION

1

Install tail pipe (G)



2

Install p-trap (J)

