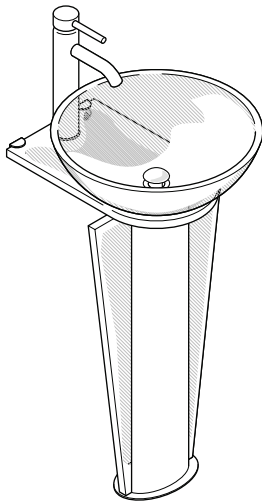
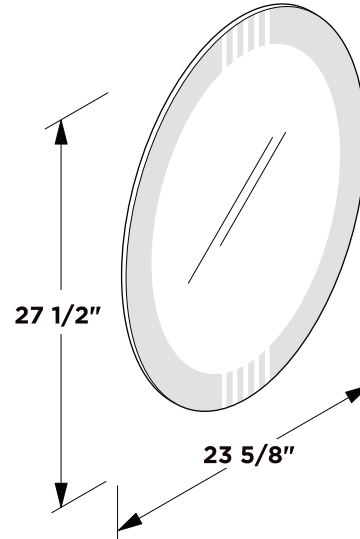
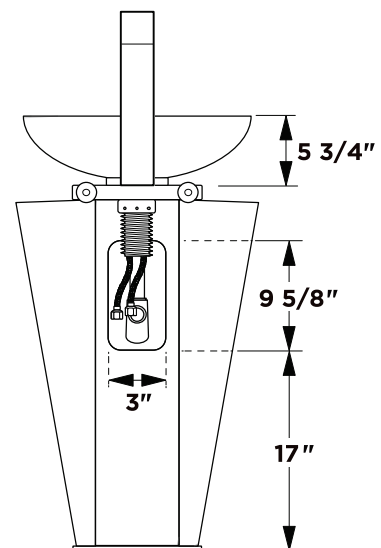
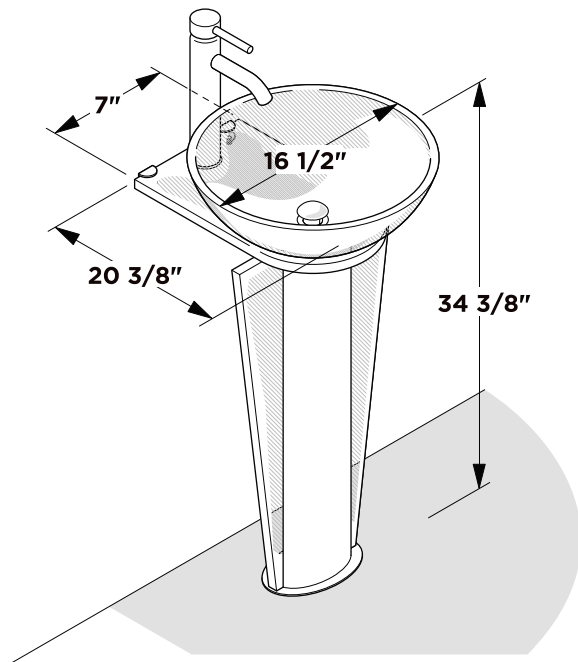


Mirror



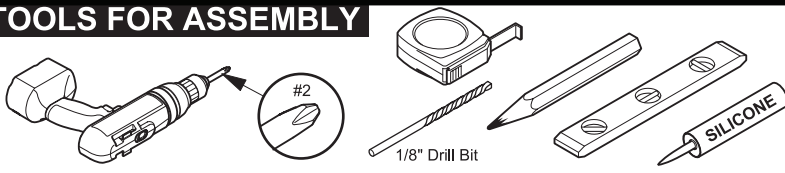
Vanity Front

Vanity Back

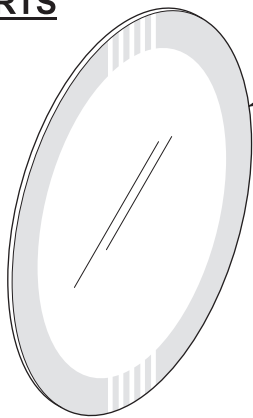


Note: All dimensions and specifications are approximate and subject to change without notice.

**TOOLS FOR ASSEMBLY**

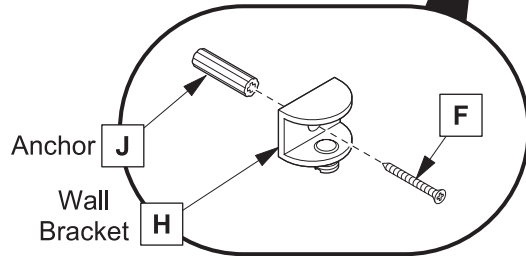


**PARTS**



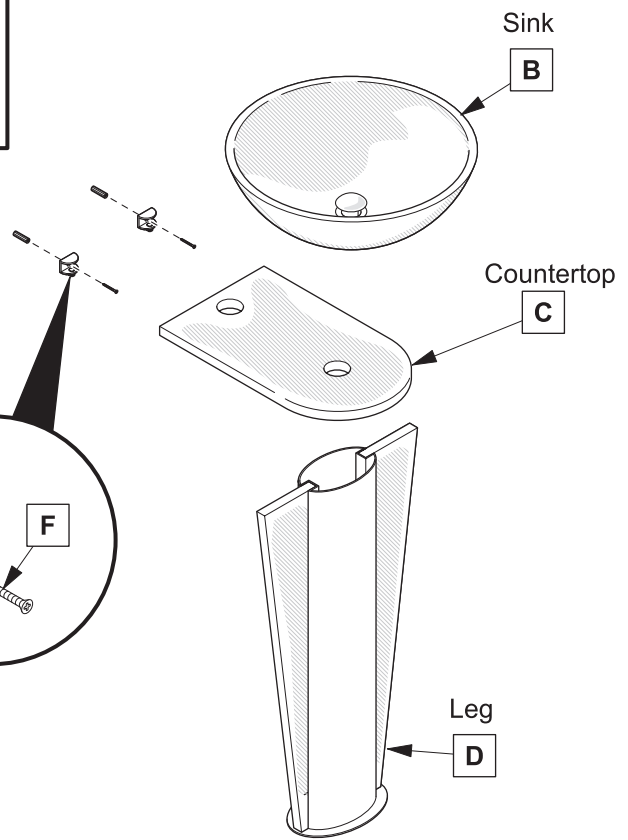
Mirror  
**A**

**NOTE:** Only use anchors (J) if stud (2"x4" frame) is not available.



Anchor  
**J**

Wall Bracket  
**H**



Sink  
**B**

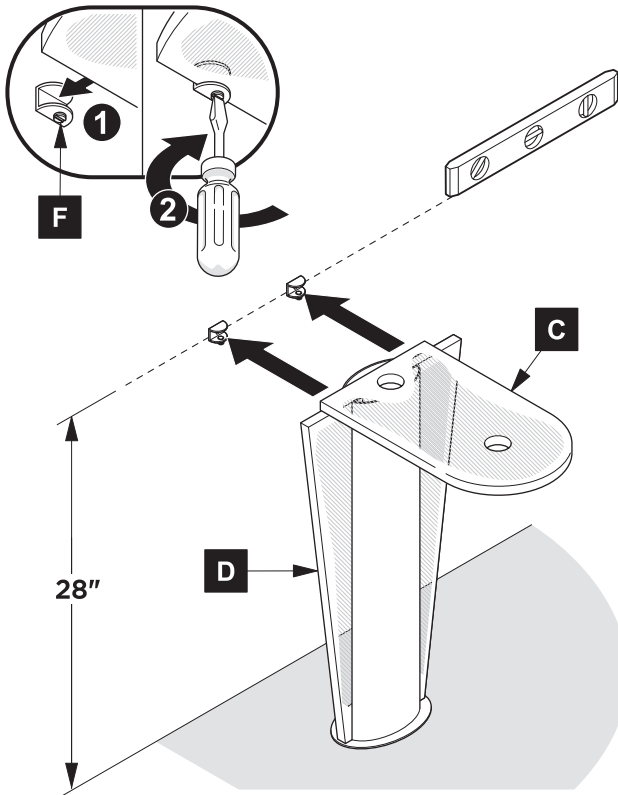
Countertop  
**C**

Leg  
**D**

**1** Install wall brackets (H)

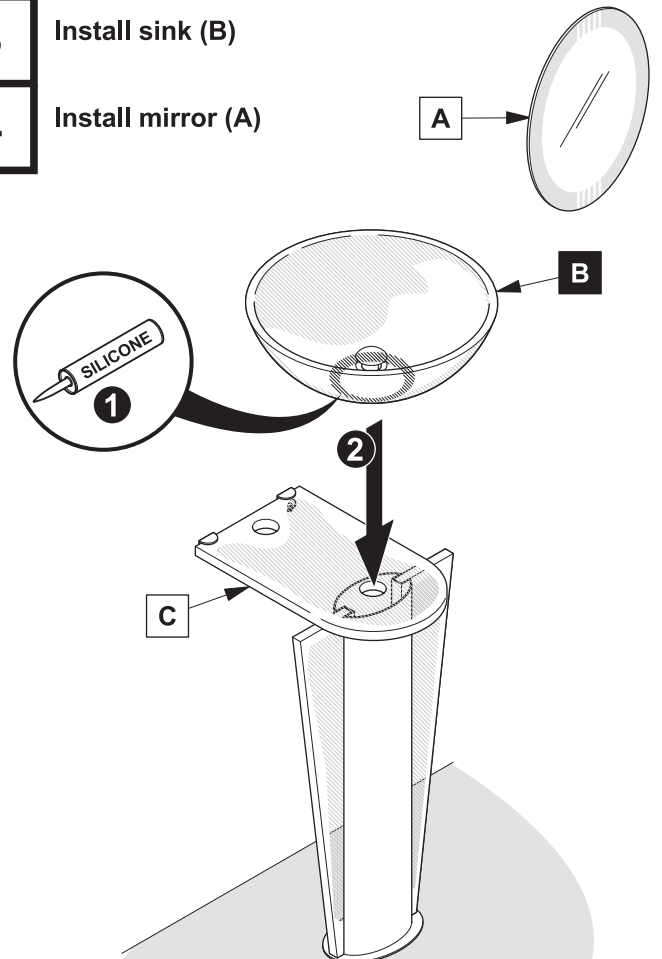
**IMPORTANT:** Consult an expert for the proper screws/bolts to use when attaching to various wall constructions. Screws provided do not attach to all wall construction types.

**2** Locate leg (D) and install countertop (C)



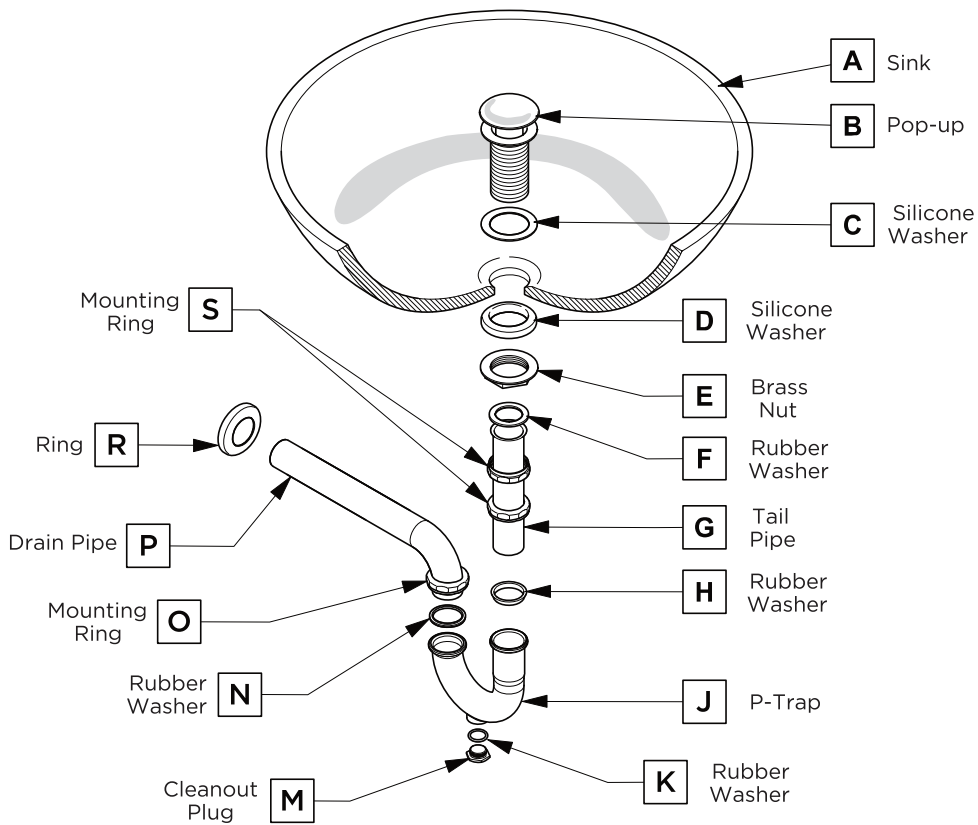
**3** Install sink (B)

**4** Install mirror (A)



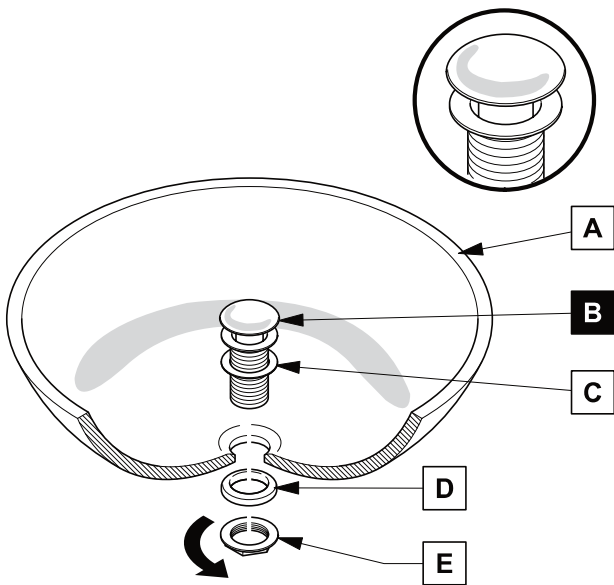
## P-TRAP AND POP-UP INSTALLATION INSTRUCTIONS

Your item may appear slightly different from the illustration



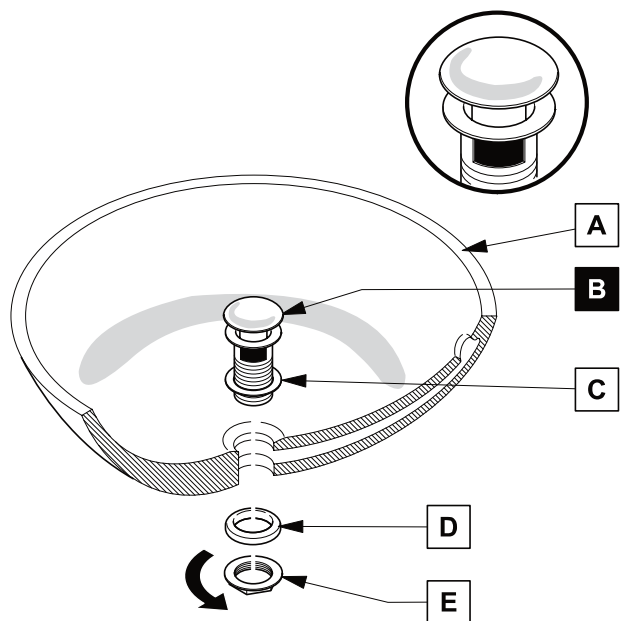
### POP-UP INSTALLATION

#### FOR SINKS WITHOUT OVERFLOW



OR

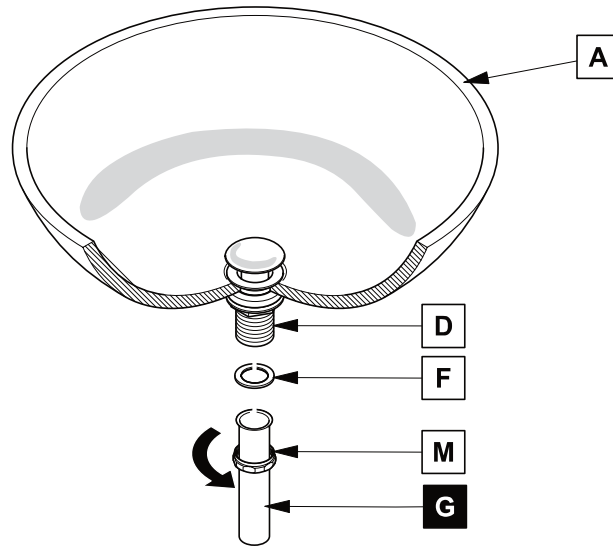
#### FOR SINKS WITH OVERFLOW



# P-TRAP INSTALLATION

**1**

Install tail pipe (G)



**2**

Install p-trap (J)

