

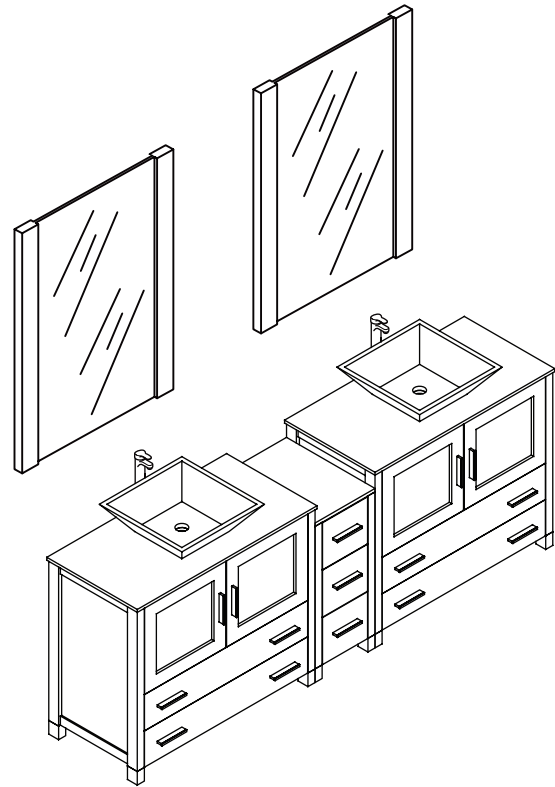
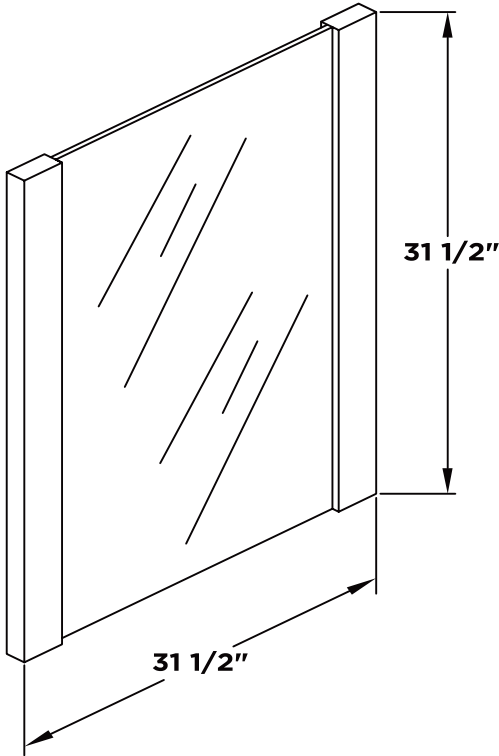
FVN62-361236-VSL

# TORINO INSTALLATION GUIDE

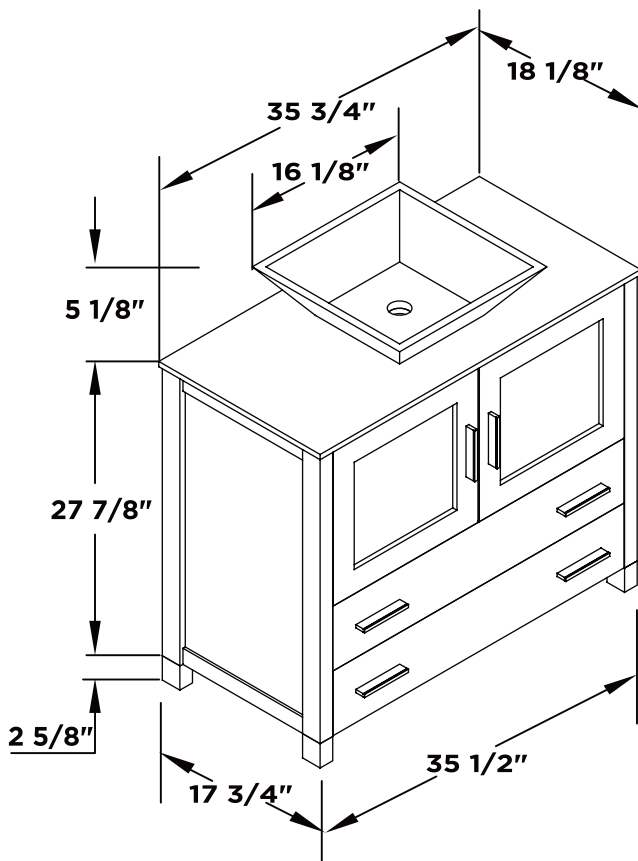
**kitchensource.com**  
1.800.667.8721

**FRESCA®**

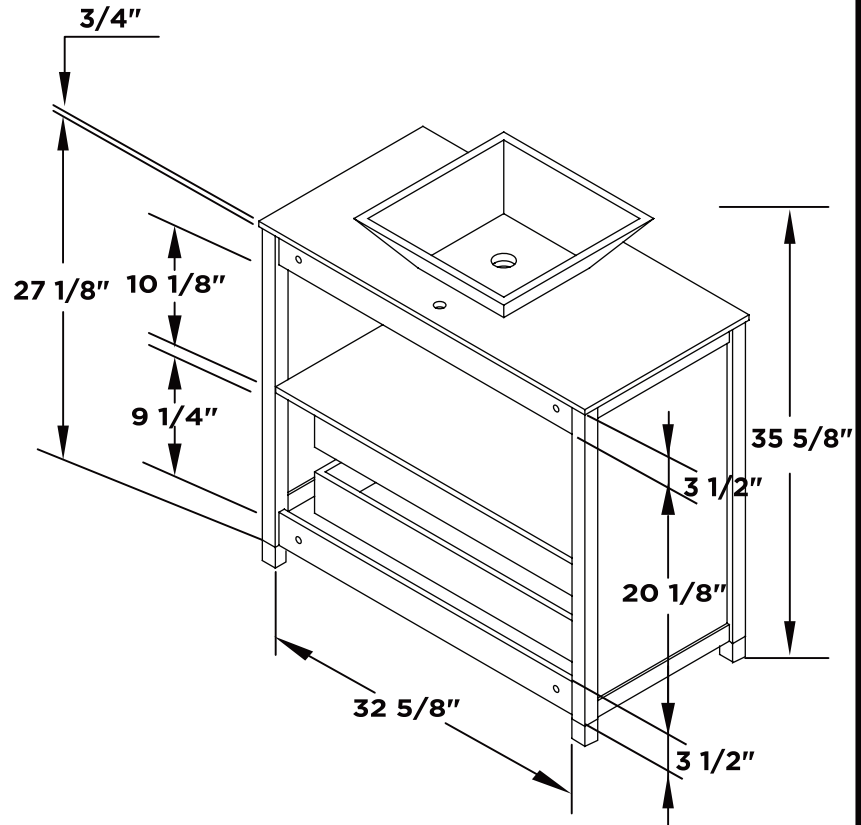
Mirror (2PCS)



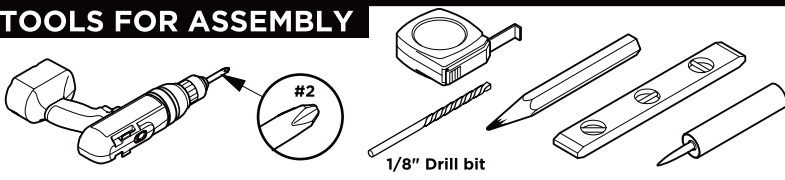
Vanity Front (2PCS)



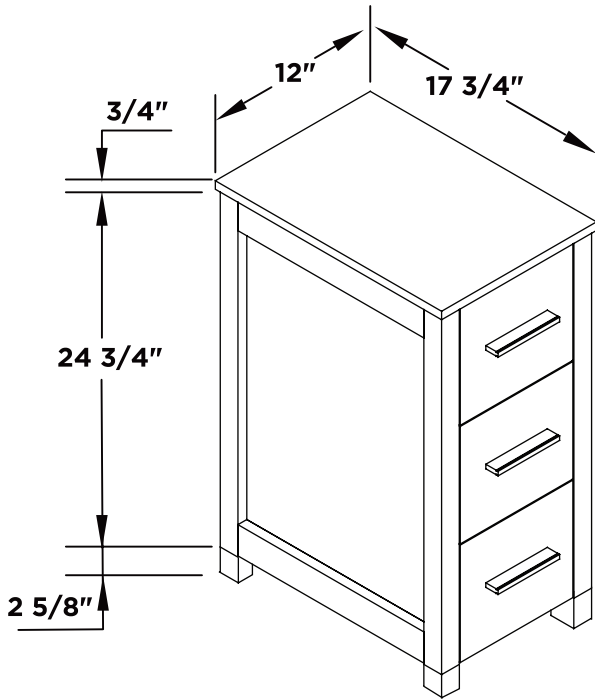
Vanity Back (2PCS)



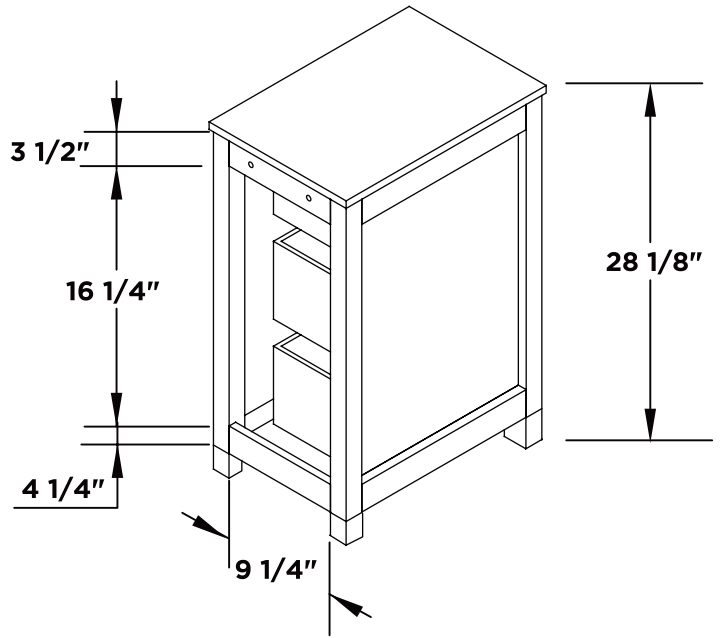
**TOOLS FOR ASSEMBLY**



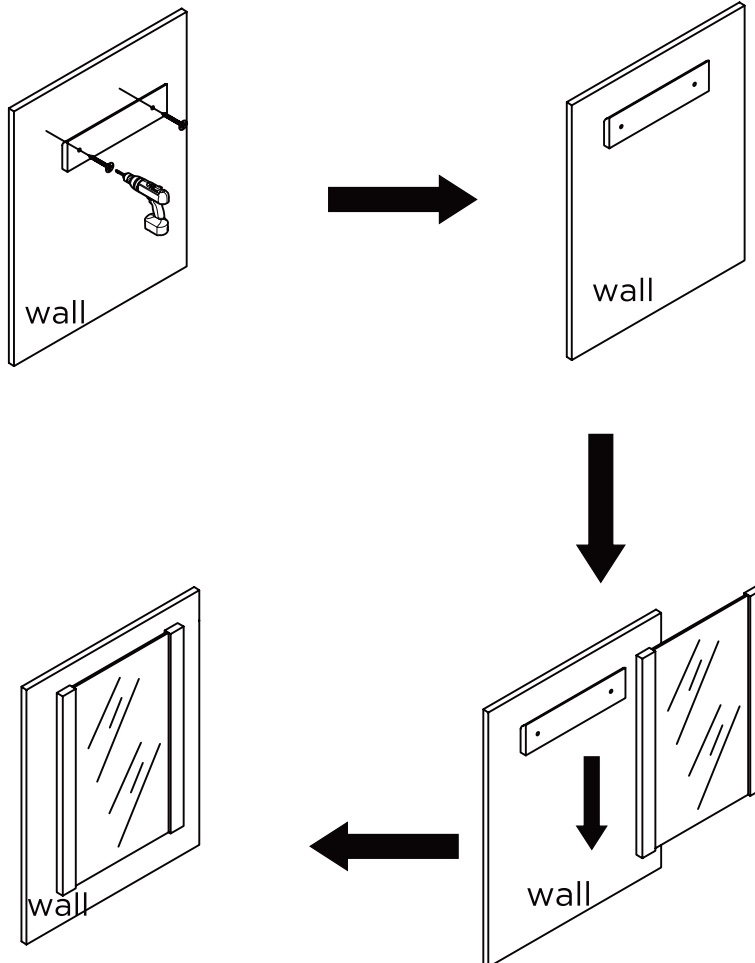
Side Cabinet Front



Side Cabinet Back

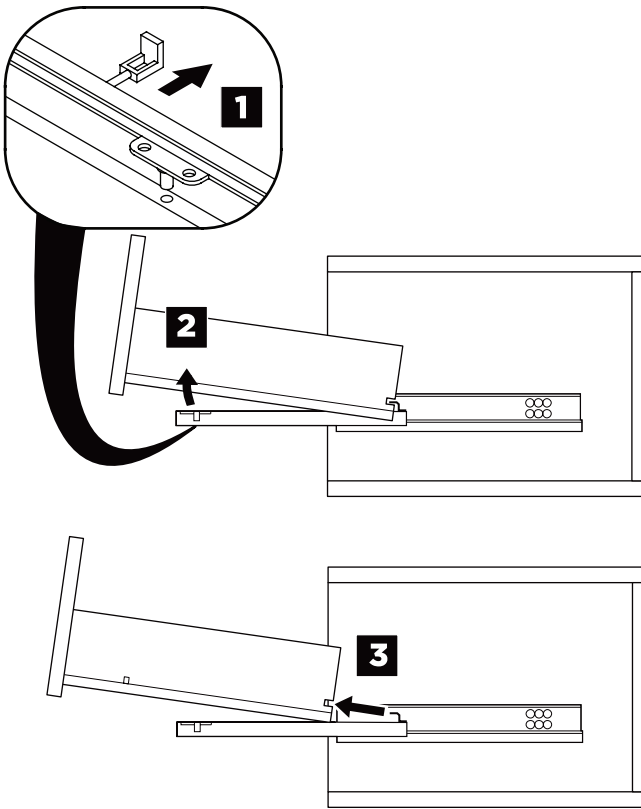


**MIRROR INSTALLATION**

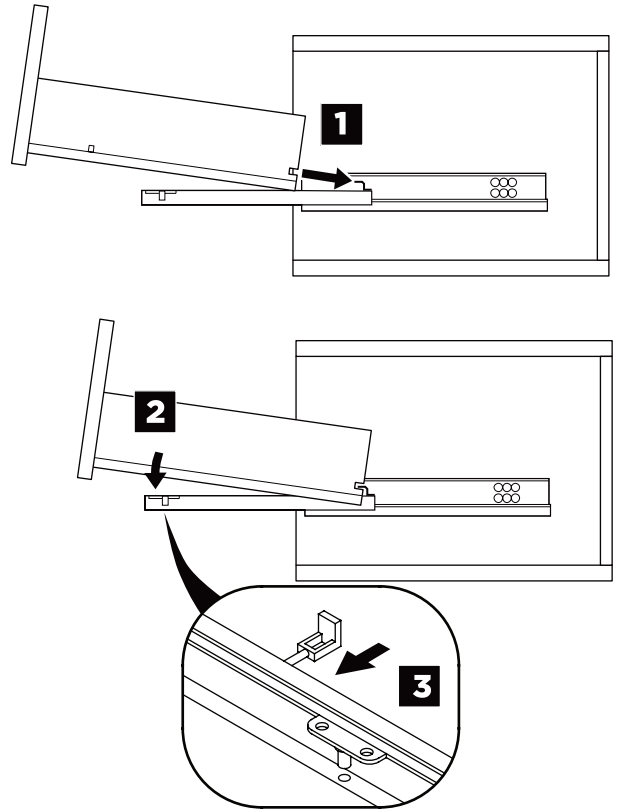


# DRAWER REMOVAL & INSTALLATION

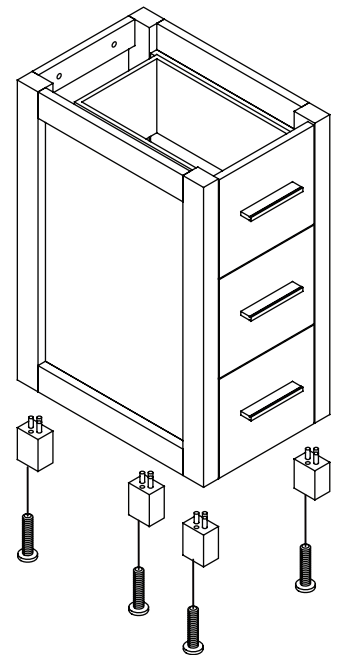
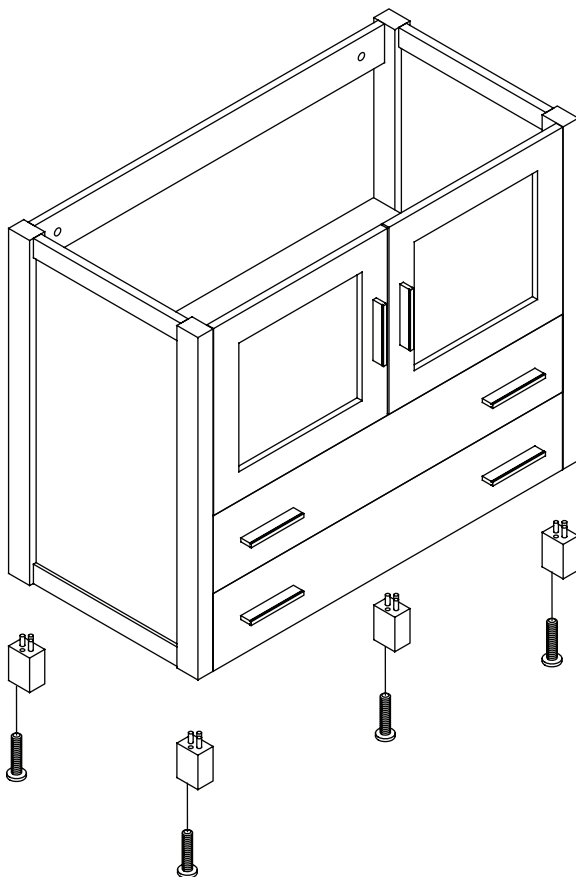
## REMOVAL



## INSTALLATION



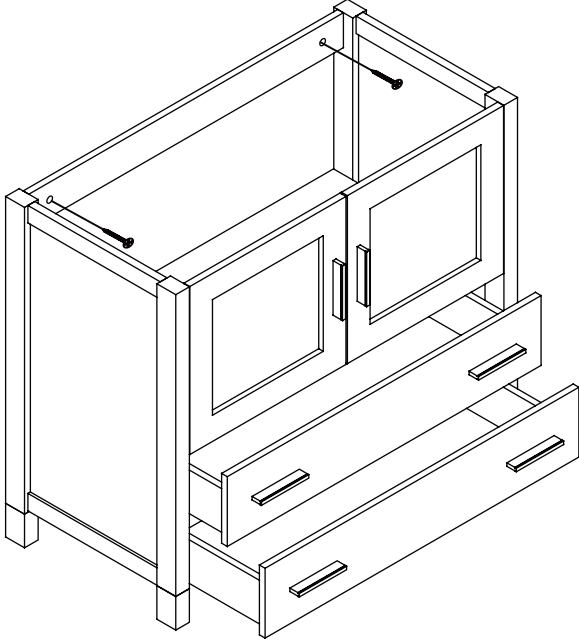
## 1 Install legs



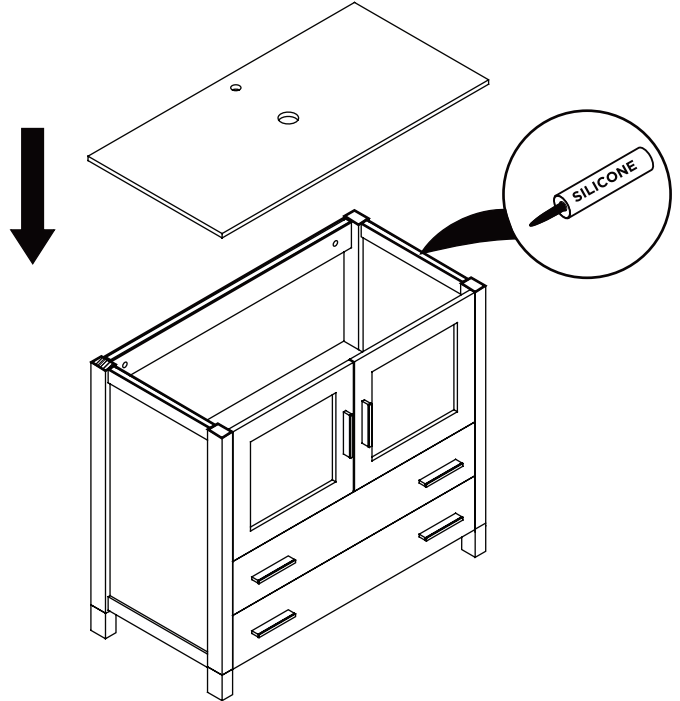
**2** Remove drawer

**3** Install cabinet

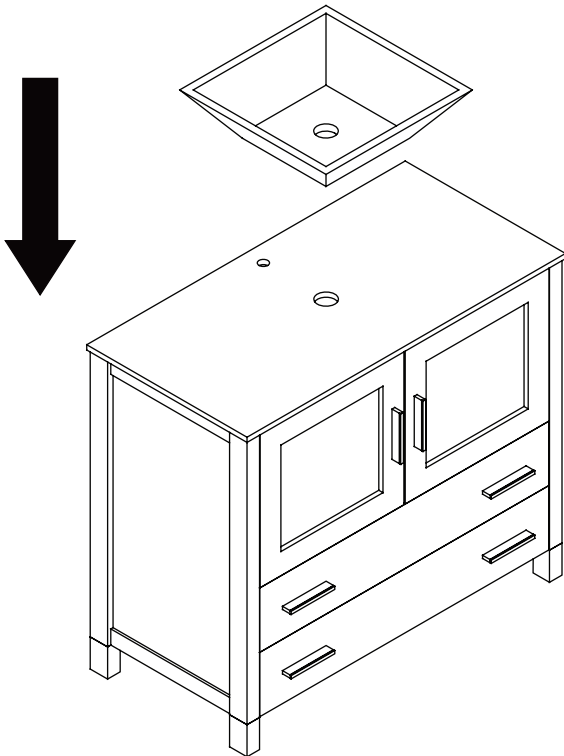
**IMPORTANT:** Consult an expert for the proper screws/bolts to use when attaching to various wall constructions. Screws provided do not attach to all wall construction types.



**4** Install top panel

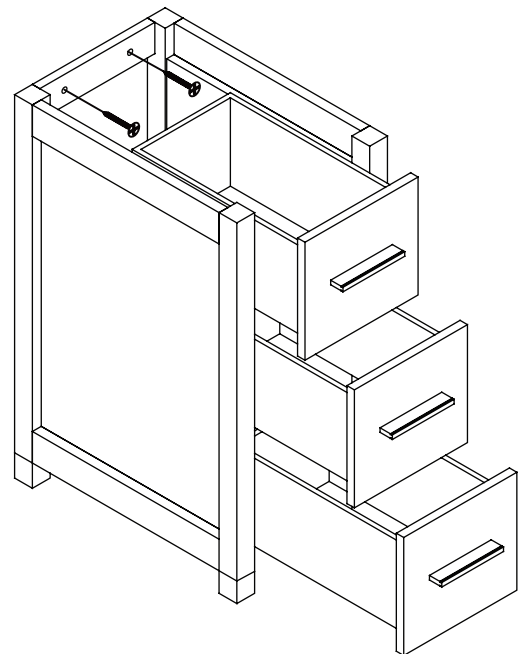


**5** Install sink



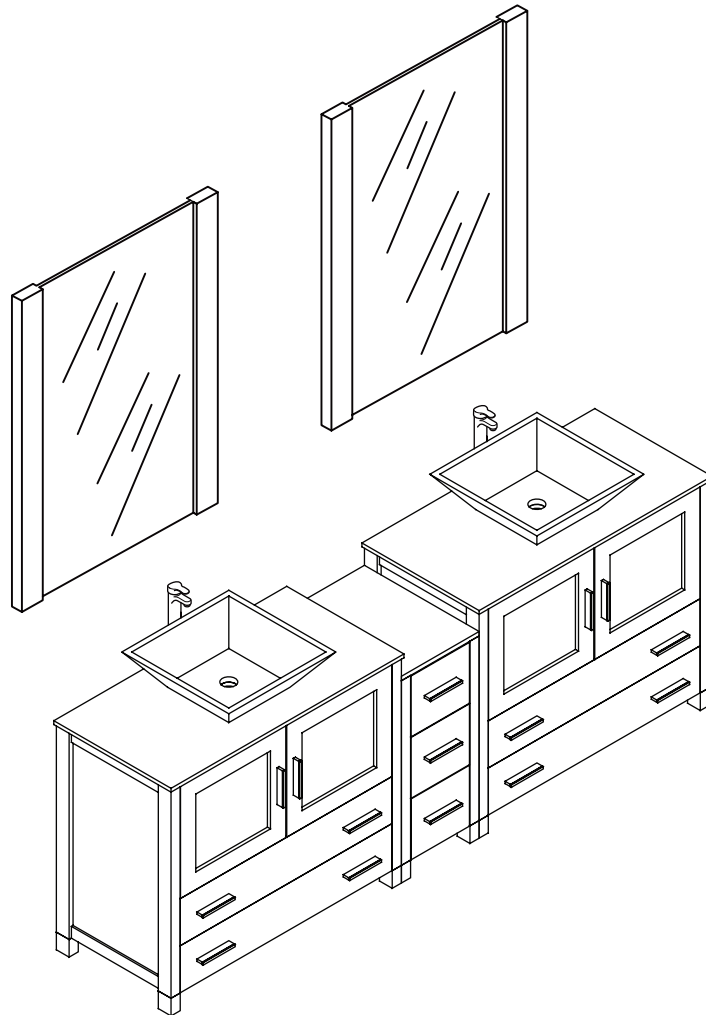
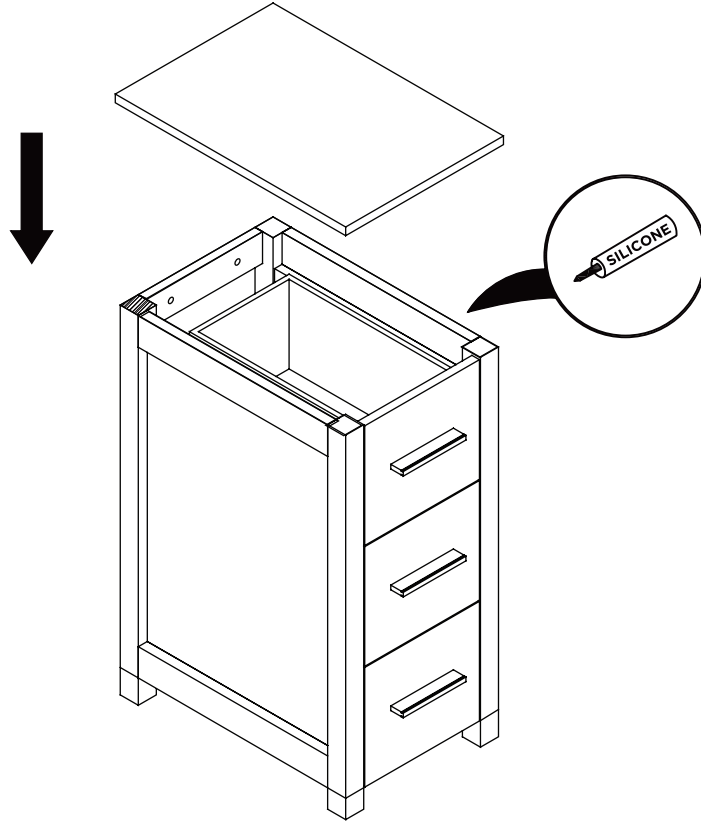
**6** Remove side cabinet drawer

**7** Install side cabinet



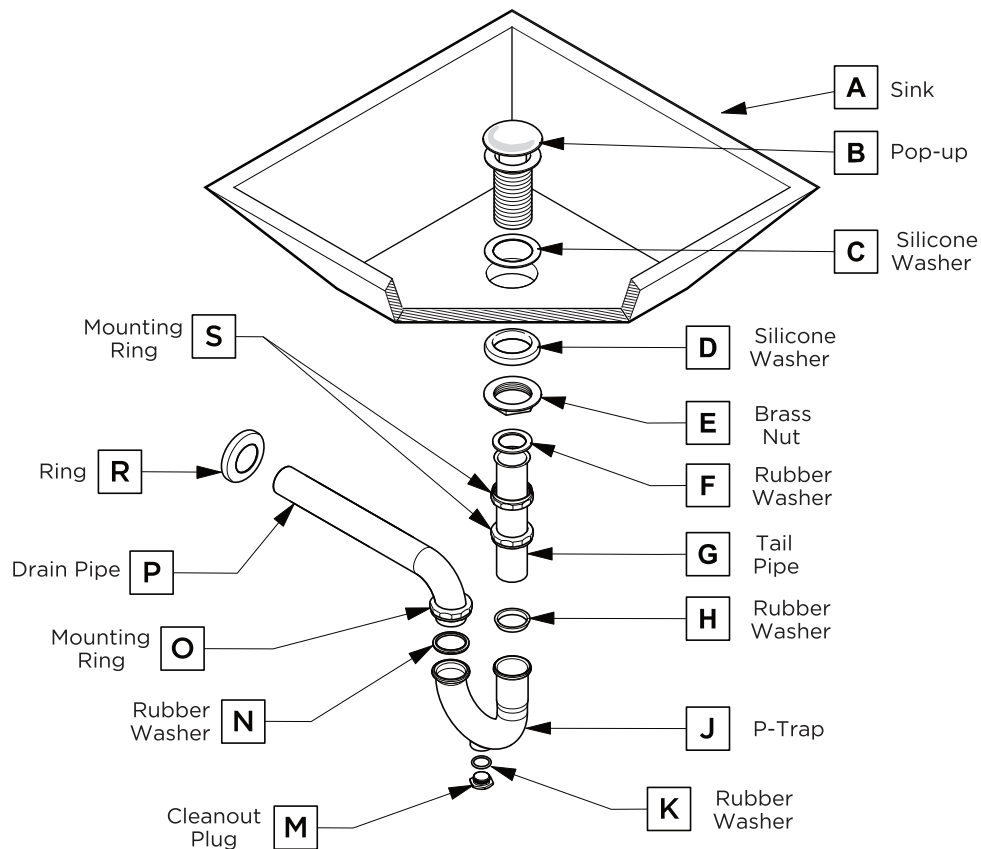
8

Install side cabinet top panel



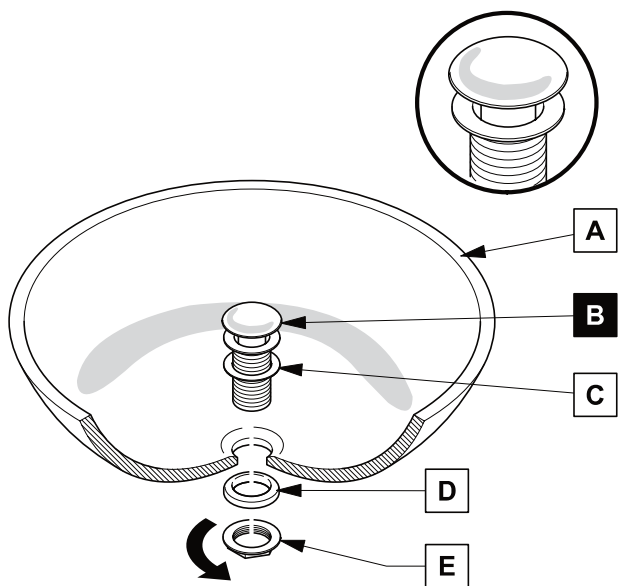
## P-TRAP AND POP-UP INSTALLATION INSTRUCTIONS

Your item may appear slightly different from the illustration



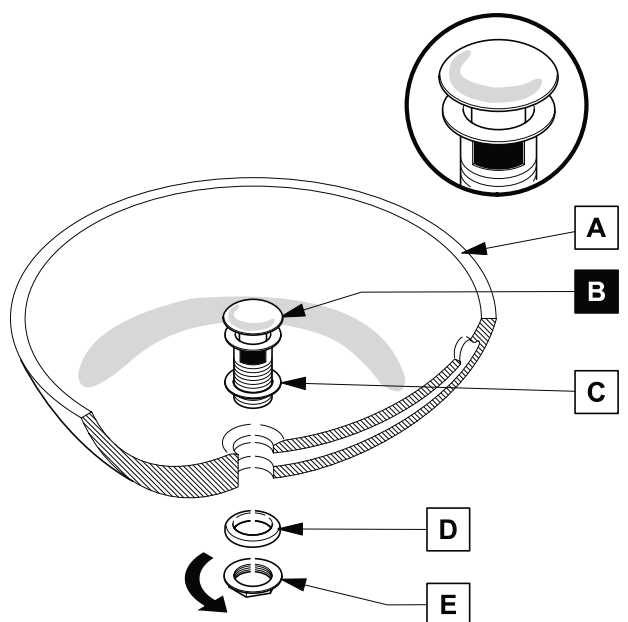
### POP-UP INSTALLATION

#### FOR SINKS WITHOUT OVERFLOW



OR

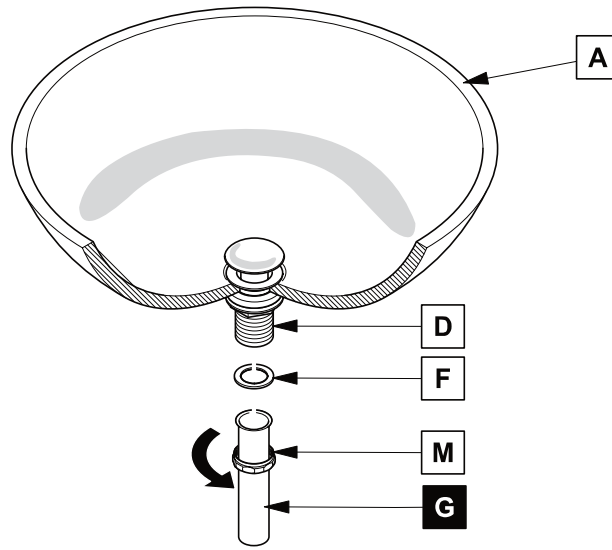
#### FOR SINKS WITH OVERFLOW



# P-TRAP INSTALLATION

1

Install tail pipe (G)



2

Install p-trap (J)

