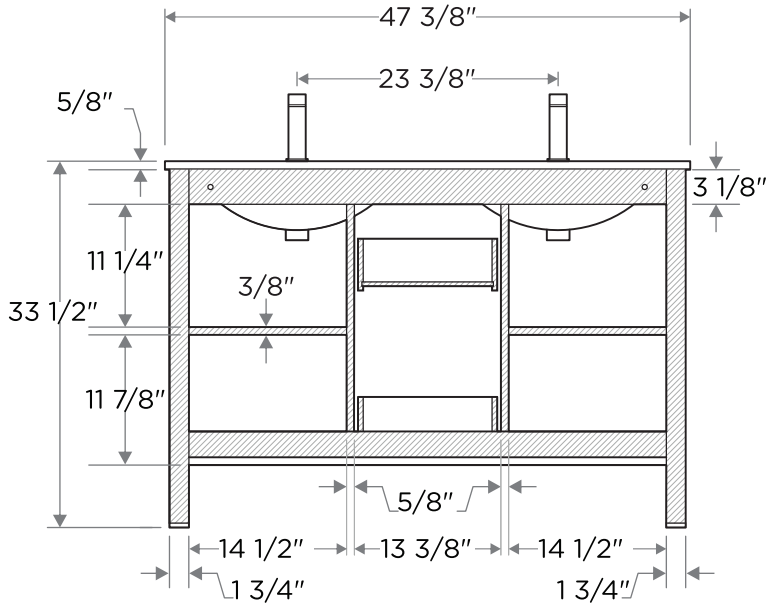


**FVN8148-D**  
**ALLIER**  
 INSTALLATION GUIDE

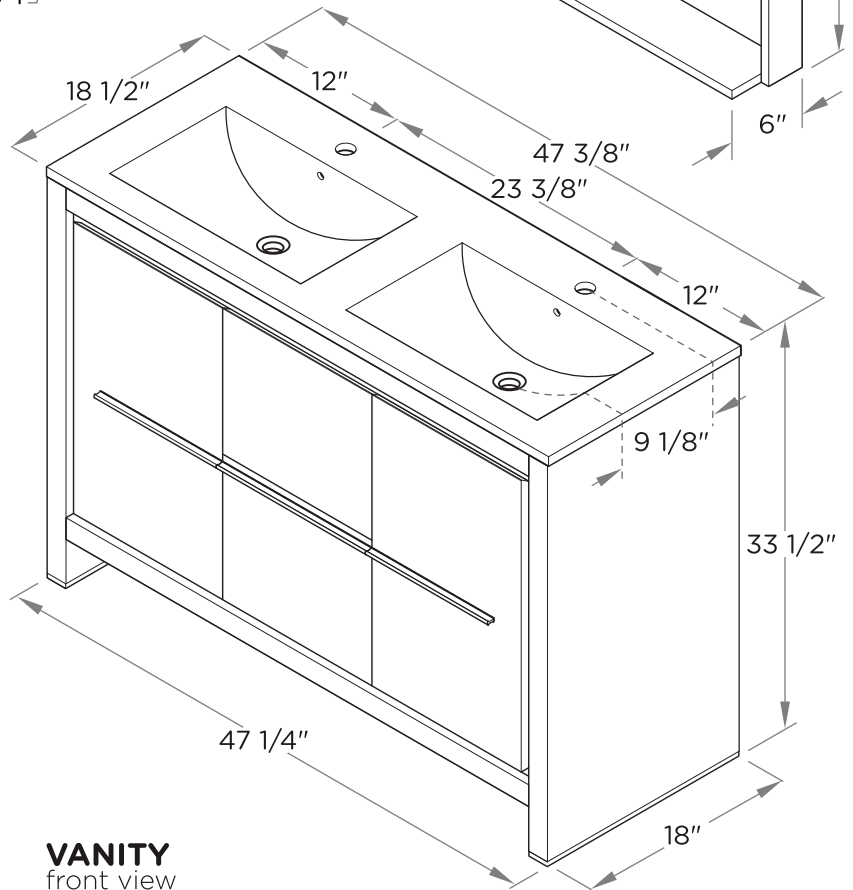
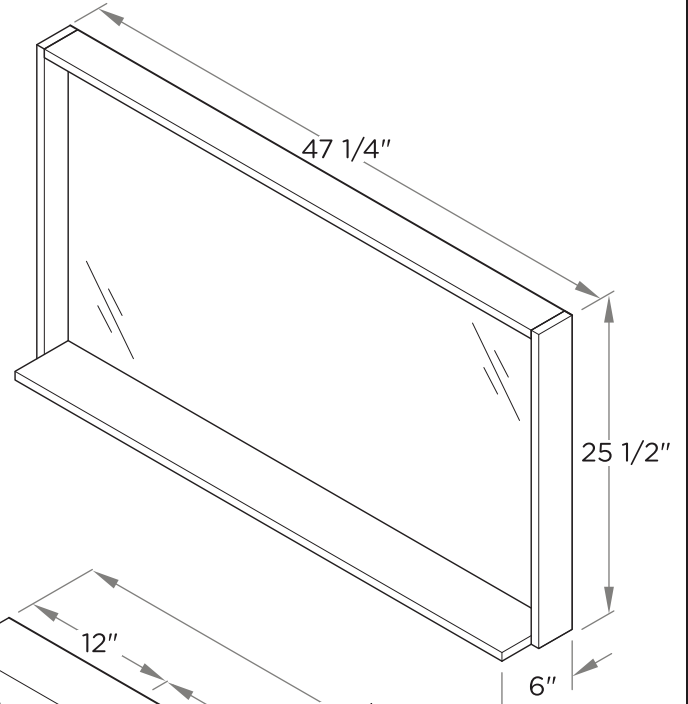
**∴kitchensource.com**  
 1.800.667.8721



**DIMENSIONS**



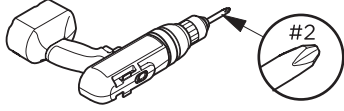
**CABINET**  
 rear view



**VANITY**  
 front view

ALL DIMENSIONS & SPECIFICATIONS ARE APPROXIMATE AND SUBJECT TO CHANGE WITHOUT NOTICE.

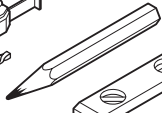
## TOOLS FOR ASSEMBLY



#2

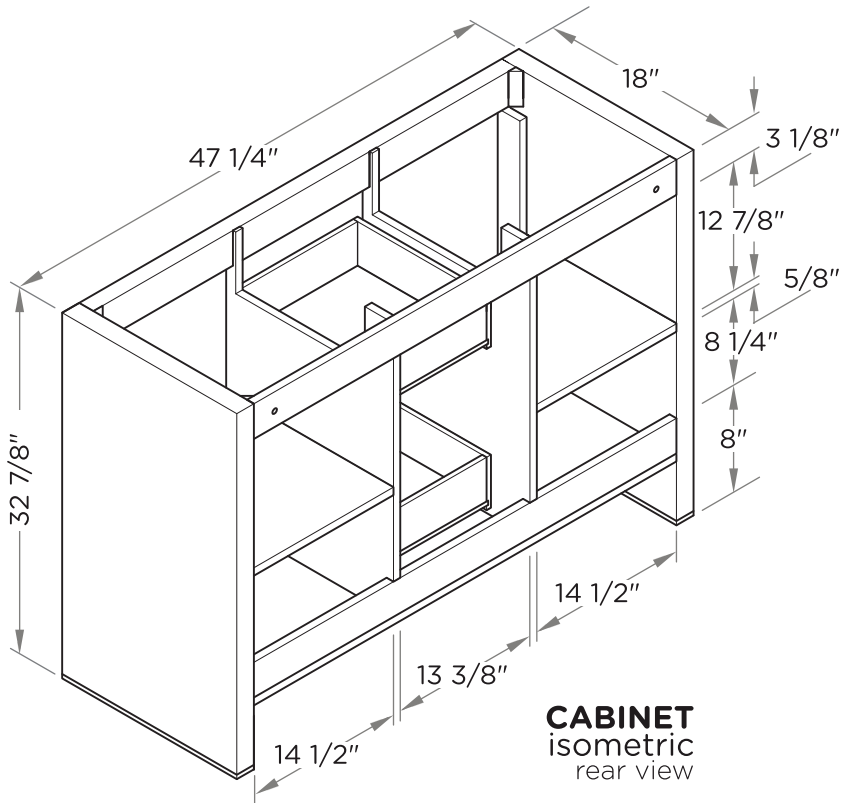


1/8" Drill Bit



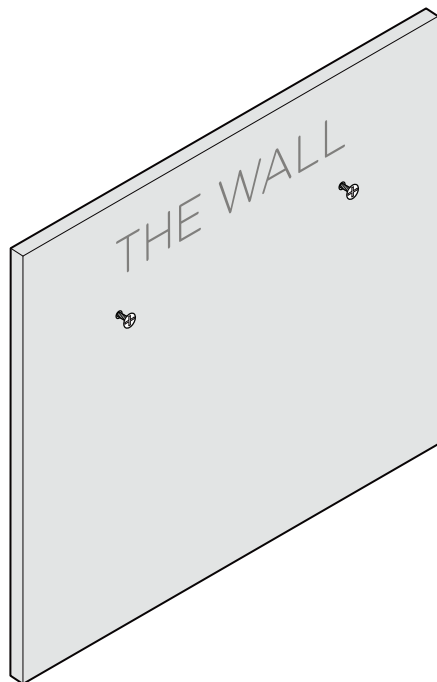
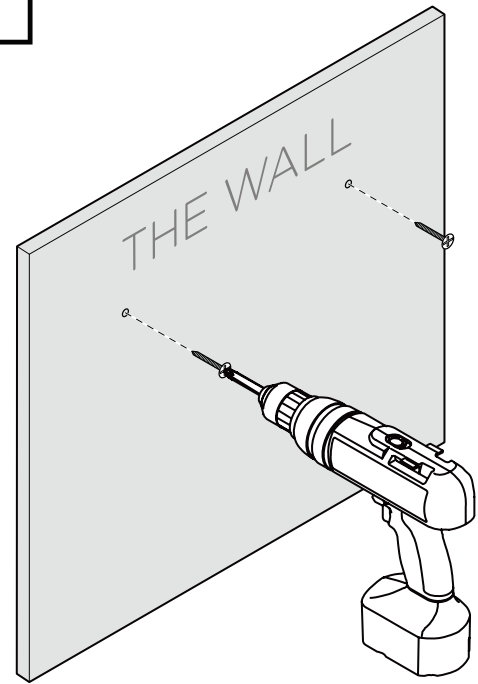
SILICONE

## DIMENSIONS

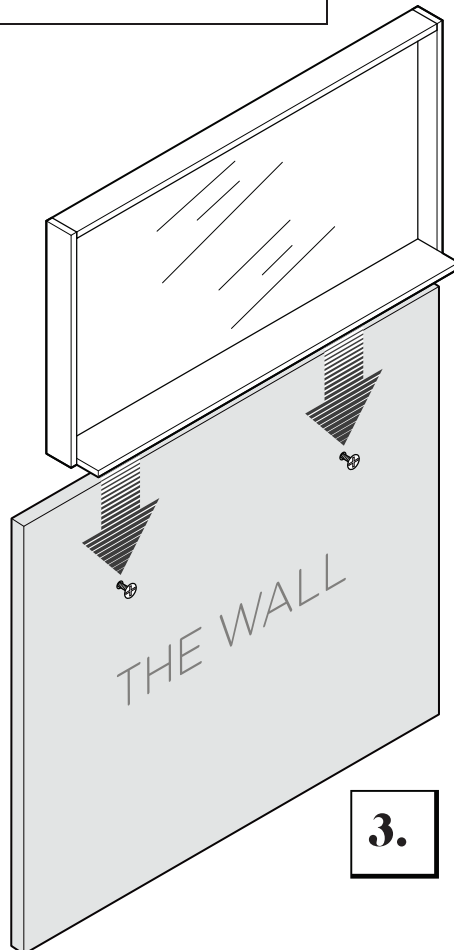


## MIRROR INSTALLATION

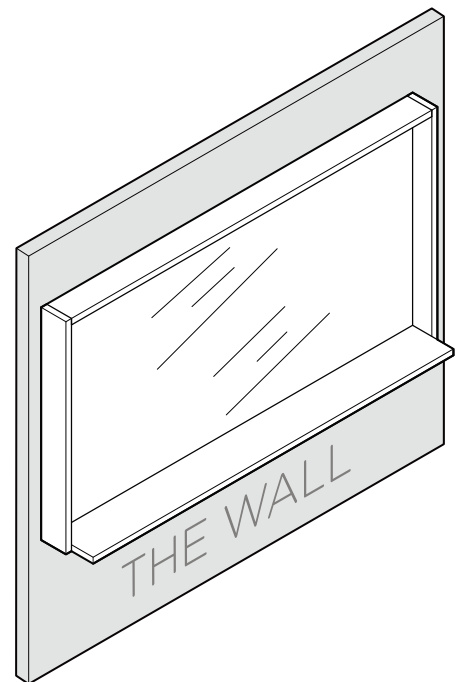
1.



2.



3.

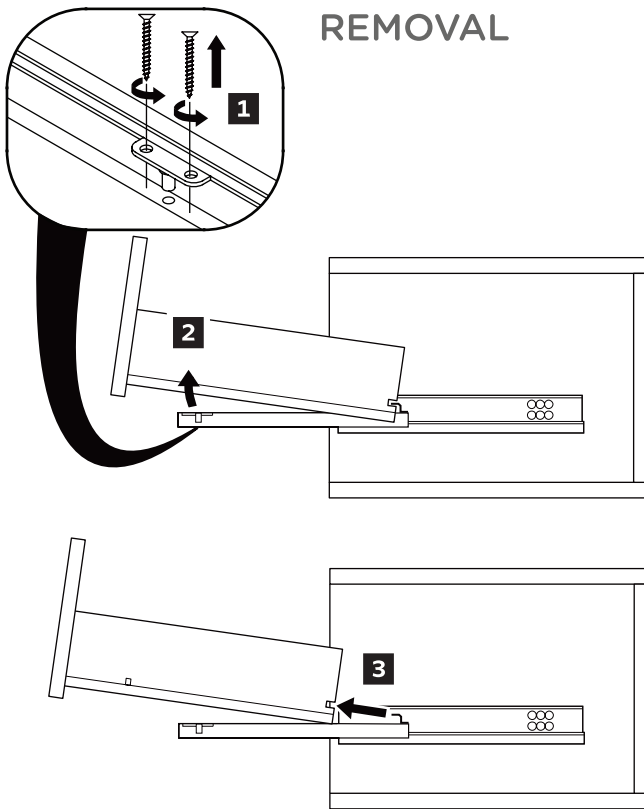


4.

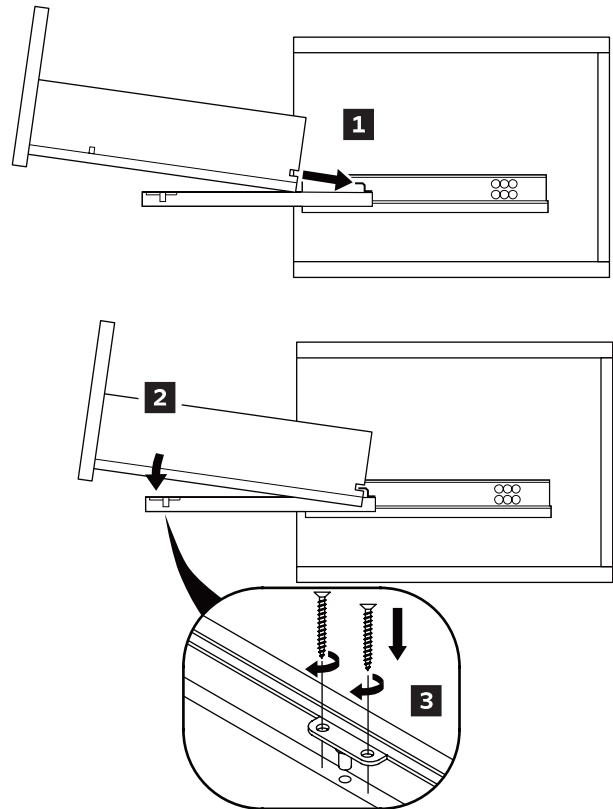


# DRAWER REMOVAL & INSTALLATION

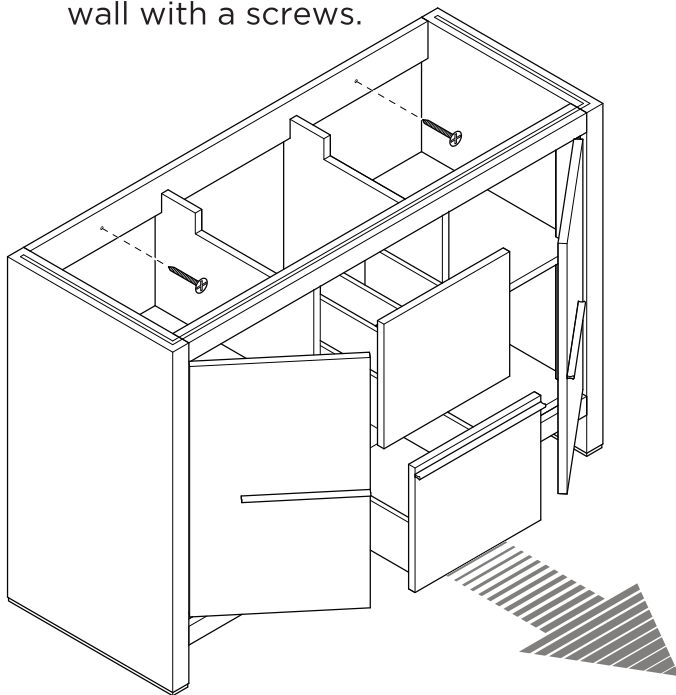
## REMOVAL



## INSTALLATION

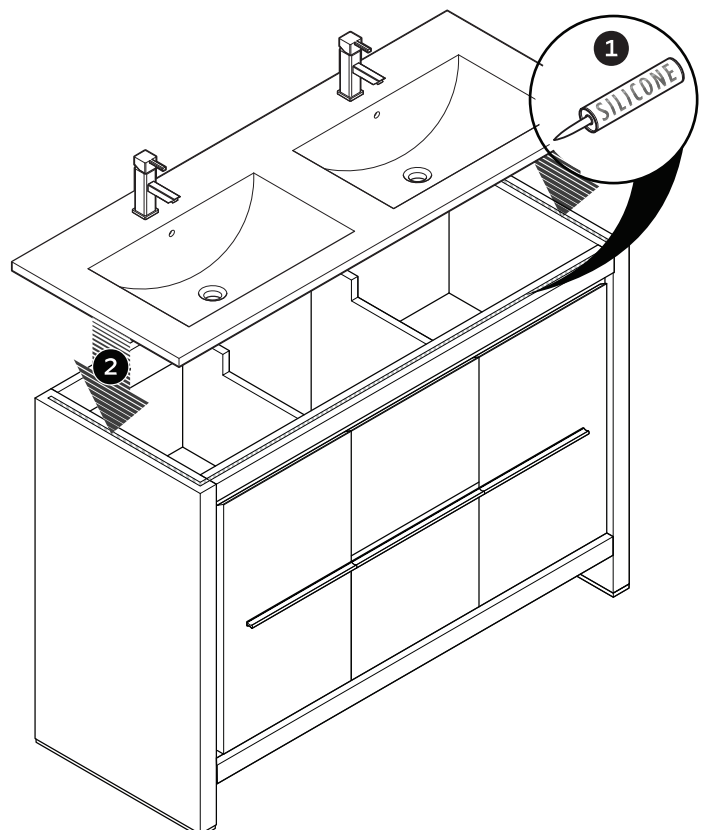


1. Remove the drawers and open the doors. Connect the cabinet to the wall with a screws.



CONSULT AN EXPERT FOR THE PROPER SCREWS/BOLTS TO USE WHEN ATTACHING TO VARIOUS WALL CONSTRUCTIONS. SCREWS PROVIDED DO NOT ATTACH TO ALL WALL CONSTRUCTION TYPES.

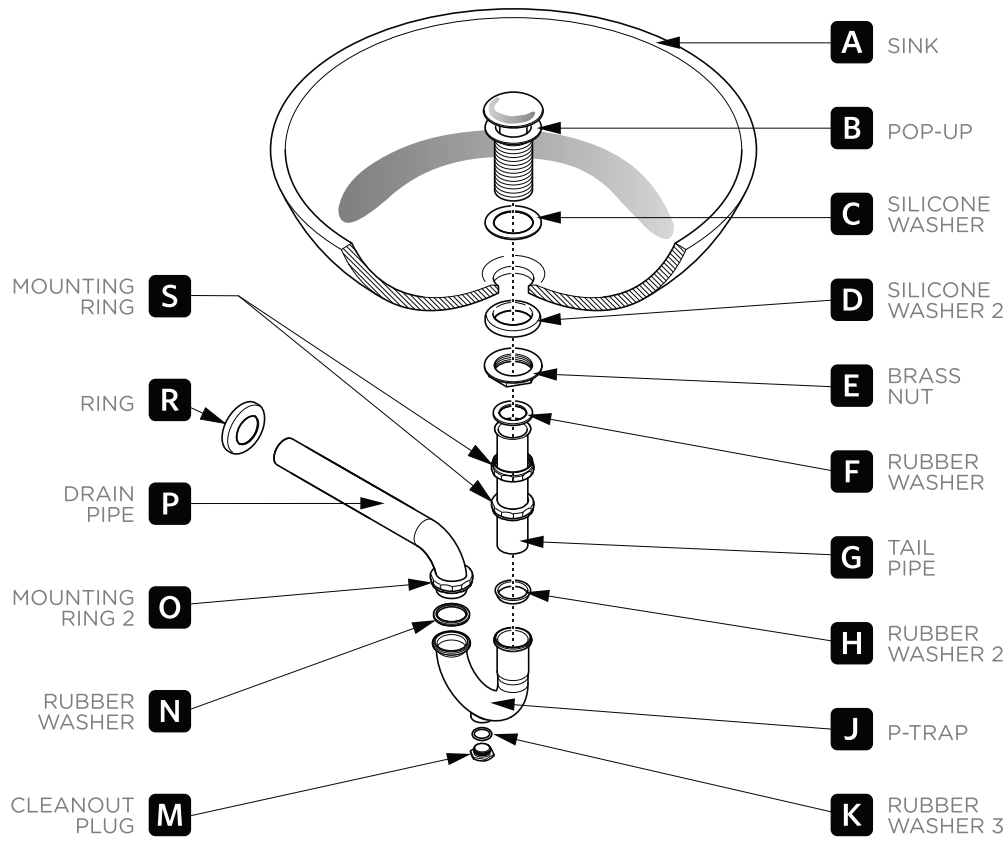
2. Apply a layer of silicone and place counter-top on the cabinet.



# P-TRAP & POP-UP

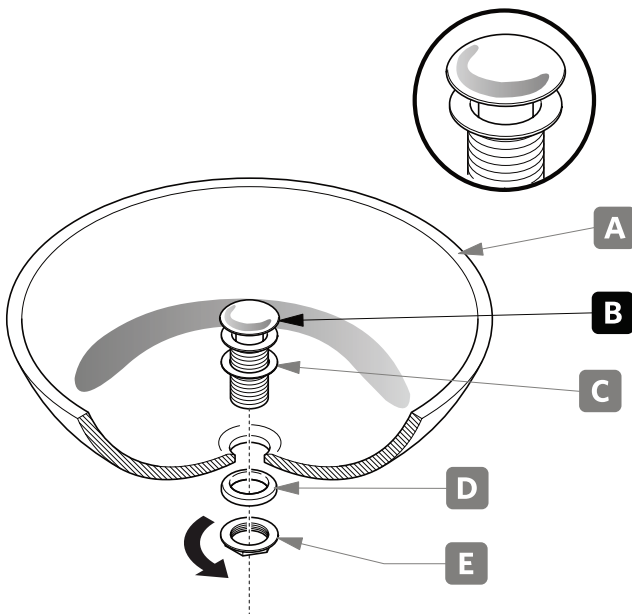
## INSTALLATION INSTRUCTIONS

YOUR ITEM MAY APPEAR SLIGHTLY DIFFERENT FROM THE ILLUSTRATION.



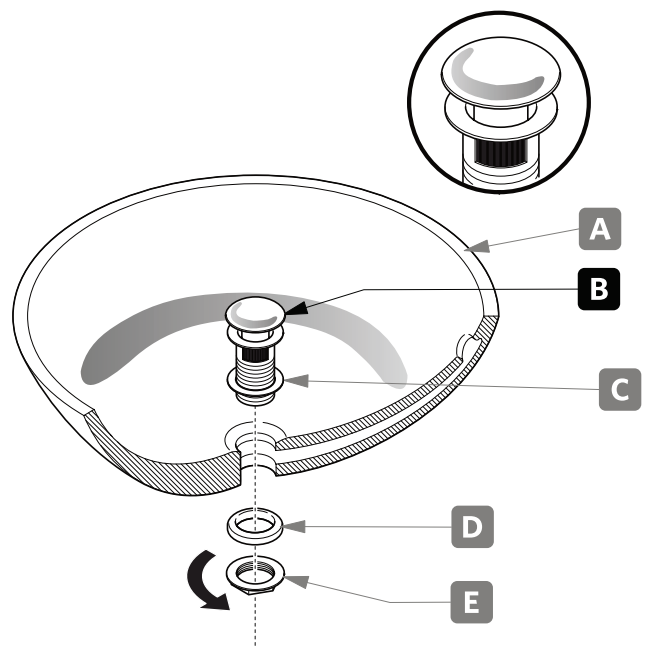
## POP-UP INSTALLATION

**FOR SINKS WITHOUT OVERFLOW**



OR

**FOR SINKS WITH OVERFLOW**



**FVN8148-D**

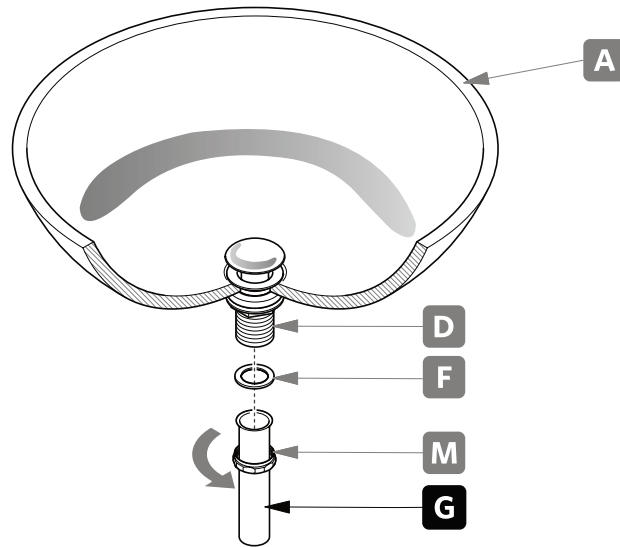
**ALLIER**

**INSTALLATION GUIDE**

PAGE 4

# P-TRAP INSTALLATION

**1.** Install tail pipe (**G**).



**2.** Install P-trap (**J**).

