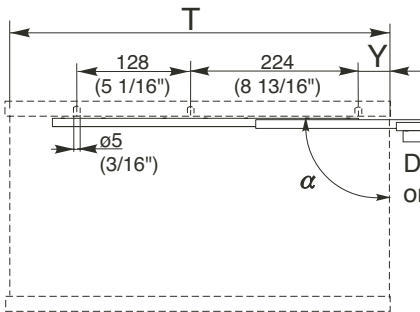
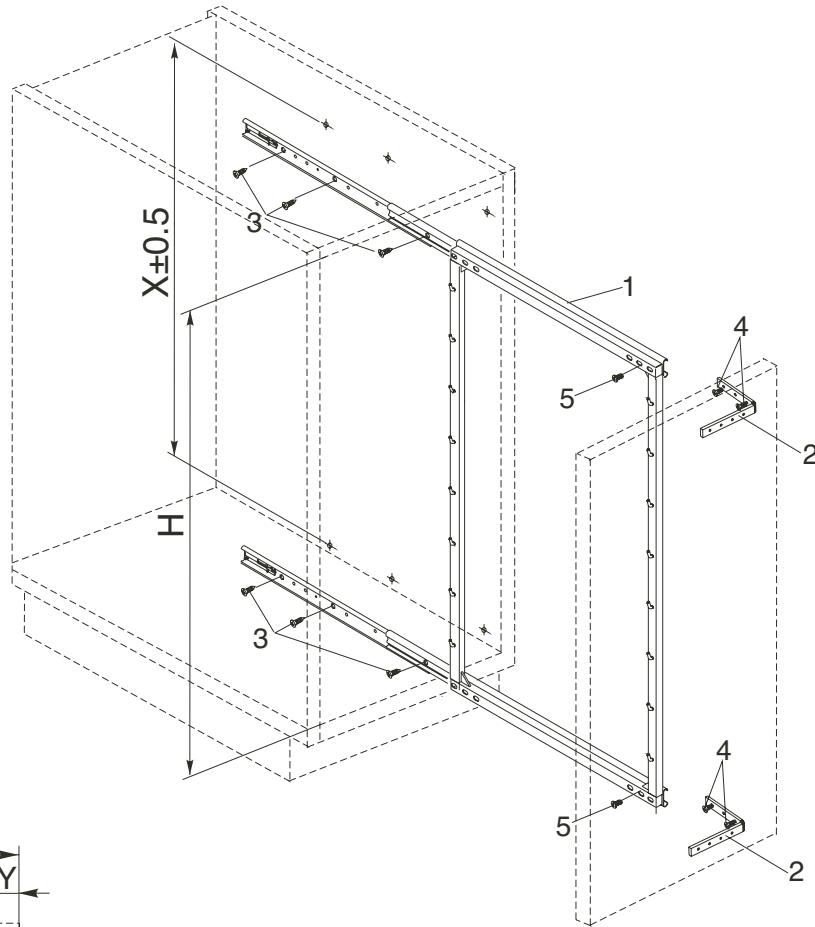


Base Cabinet Pull-Out

1. Pull-out frame
2. Front bracket
3. Flathead Screw 6.3x15
4. Countersunk screw M6x10
5. Screw M6x12



Dimension Y depends on the angle α and on the installed front bracket.

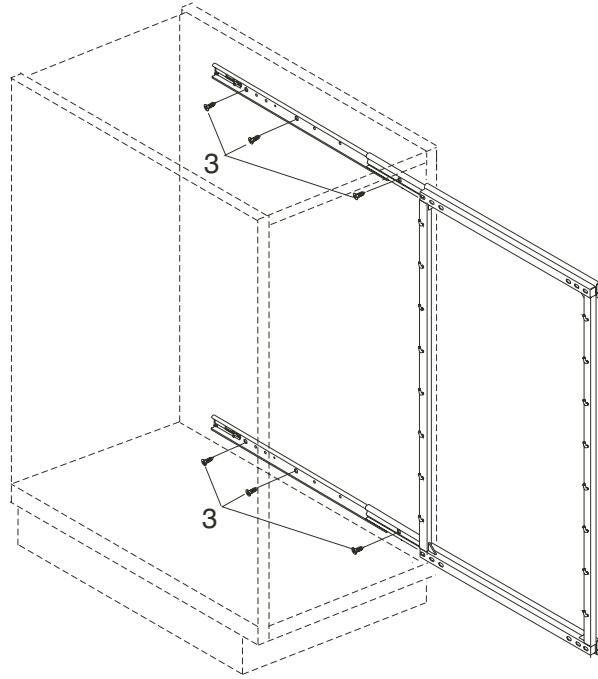
Left

Art. #	X	H	T
545.59.261/761	460 (18 1/8")	>510 (20 1/16")	490 (19 5/16")
545.59.262/762	560 (22 1/8")	>610 (24")	490 (19 5/16")
545.59.263/763	628 (24 3/4")	>678 (26 11/16")	490 (19 5/16")

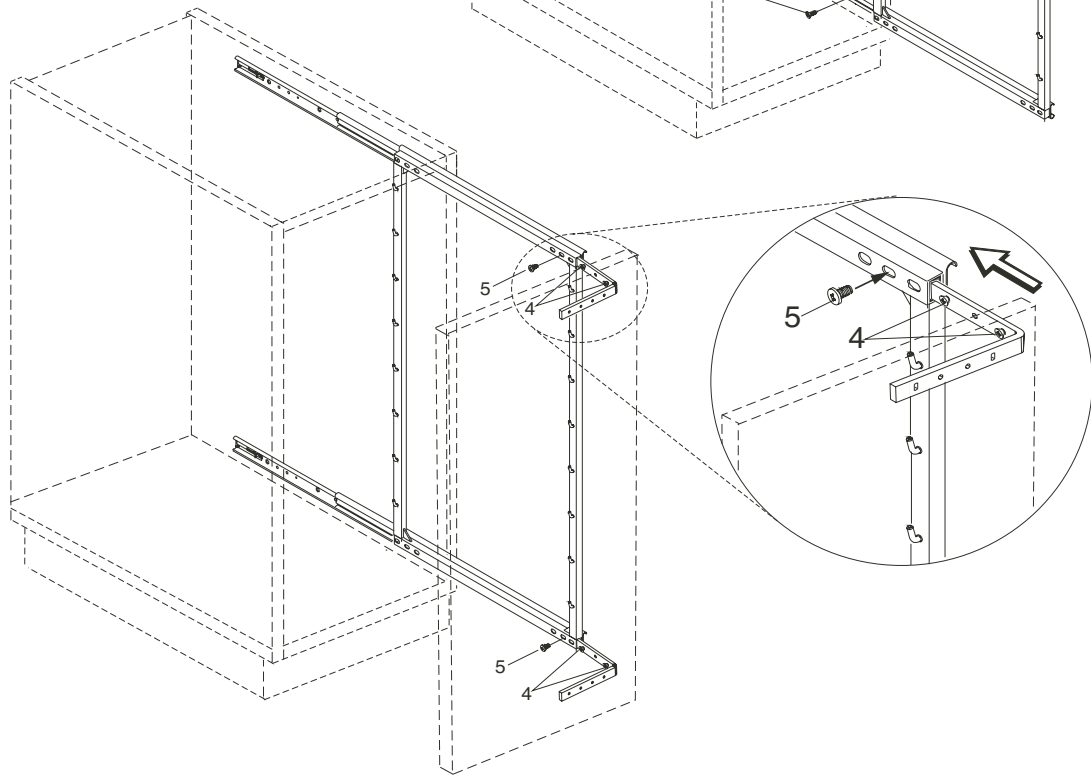
Right

Art. #	X	H	T
545.59.271/771	460 (18 1/8")	>510 (20 1/16")	>490 (19 5/16")
545.59.272/772	560 (22 1/8")	>610 (24")	>490 (19 5/16")
545.59.273/773	628 (24 3/4")	>678 (26 11/16")	>490 (19 5/16")

A. Mounting of slide

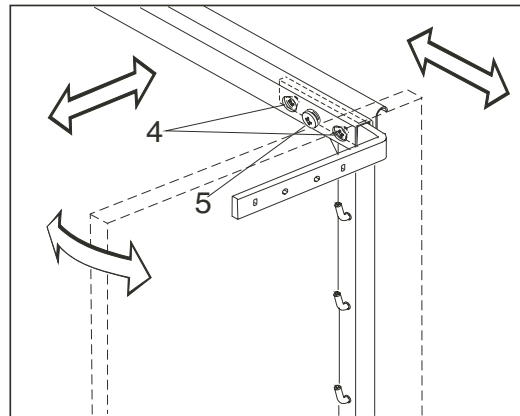


B. Install the front bracket.



C. Adjustment of the Front

4 - Adjusting 5 - Attaching



HÄFELE

an **SefaCo.** Store
1-877-275-9111