

Always read the instructions completely and carefully before beginning assembly.  
Remove and check contents for damage and / or missing parts.

# Tray Divider

545.47.199 11 3/4"W x 15 1/2"H x 22-1/2"D

## Contents of Box:

- 1 - Bottom Panel with Keeper molding attached.  
(Part size: 1/2"T x 11 3/4"W x 22 1/2"L)
- 1 - Back Panel with Keeper molding attached.  
(Part size: 1/2"T x 11 3/4"W x 15"L)
- 3 - Divider Panels.  
(Part size: 1/4"T x 14 3/4"H x 21 3/4"L)

## You will need:

- Safety Glasses
- Tape Measure
- Nails
- Nail gun

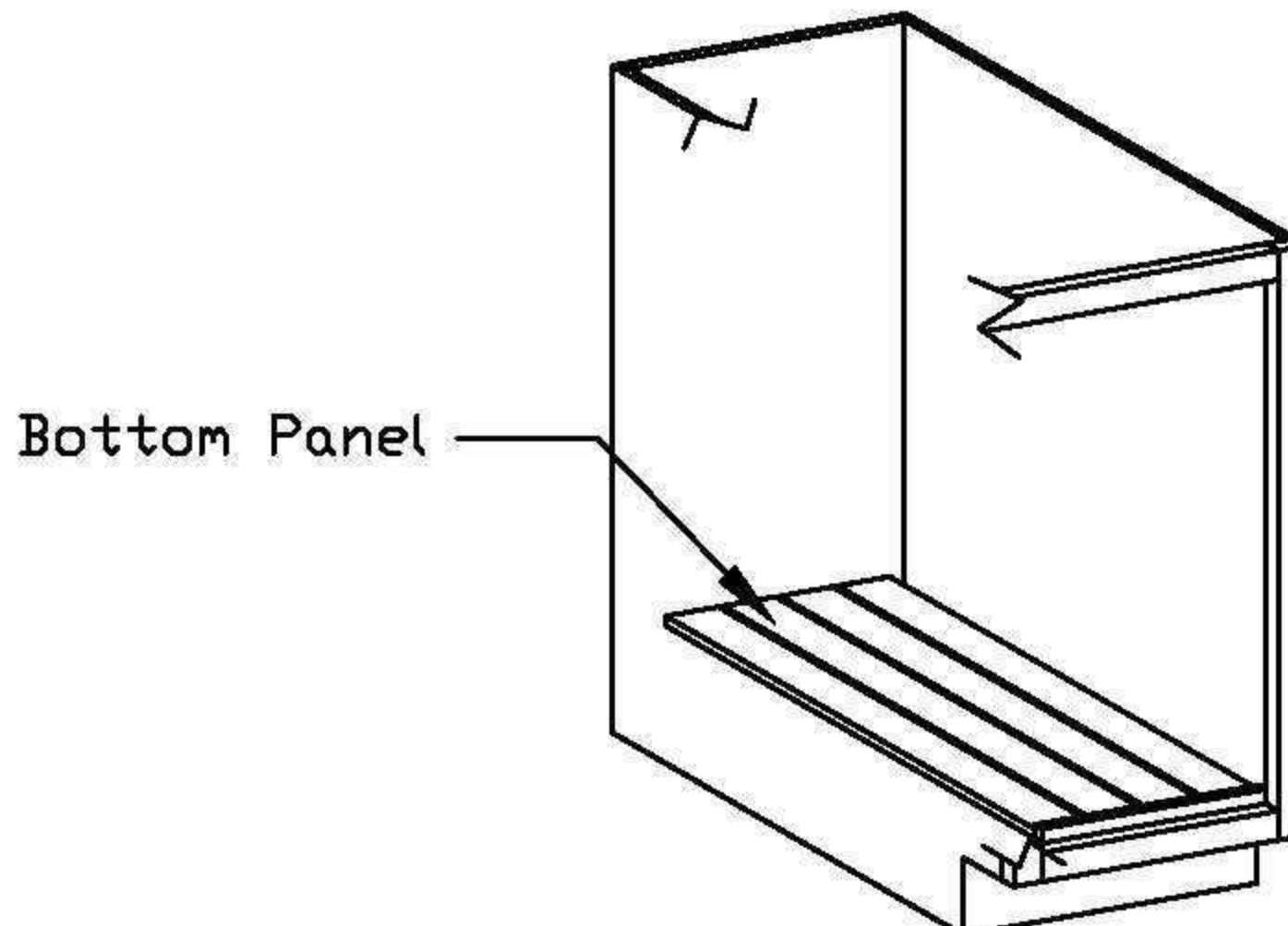


Fig. 1

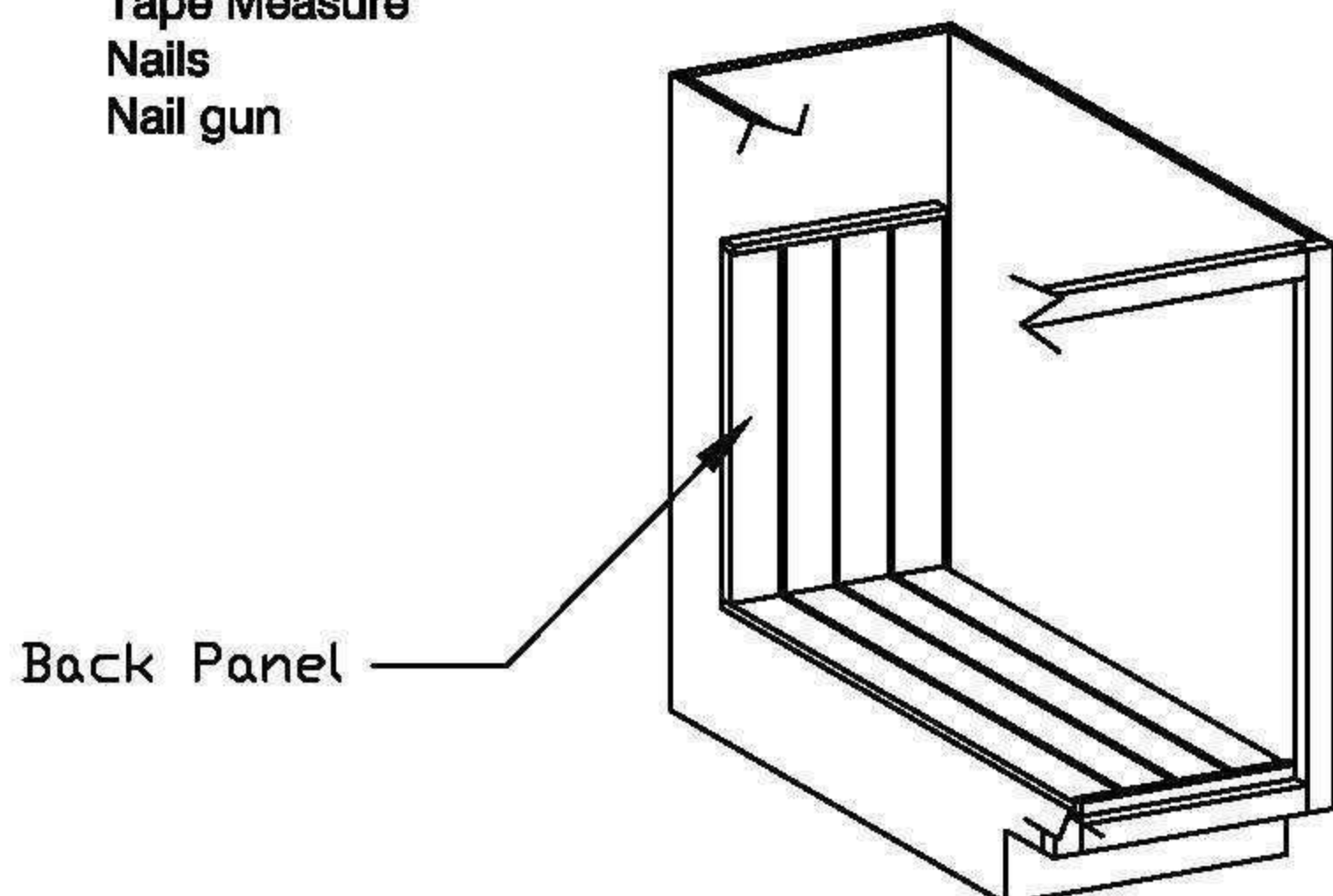


Fig. 2

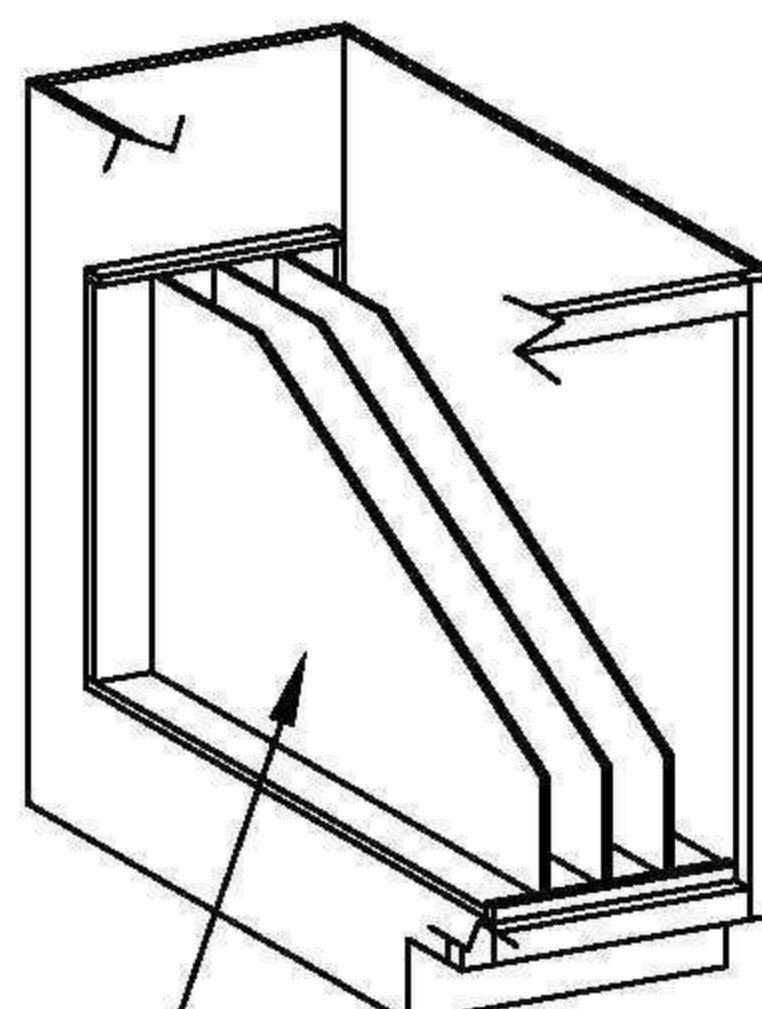


Fig. 3

## Installation Instructions

(Note: This part is shipped unassembled.)

(IMPORTANT! This unit is designed for use within a 15" wide cabinet or smaller for a 24" deep base cabinet.)

(Note: This unit can also be trimmed to fit a smaller cabinet.)

- Step 1 Locate the Bottom panel part (Size: 1/2" x 11 3/4" x 22 1/2") into the cabinet opening so that the back edge is up against the back of the cabinet. Make any left or right adjustments and then nail into place into the cabinet floor. (See figure 1)
- Step 2 Locate the Back panel part (Size: 1/2" x 11 3/4" x 15") up against the back of the cabinet and line up the grooves with the grooves of the Bottom panel and nail into place into the back of the cabinet. (See figure 2)
- Step 3 Install the three Dividers into the grooves. (See figure 3)  
(Note: Do not attached the dividers panels in place. The are designed to be removable for cleaning purposes.)