

# Multi-Use Baskets

## Installation Instructions

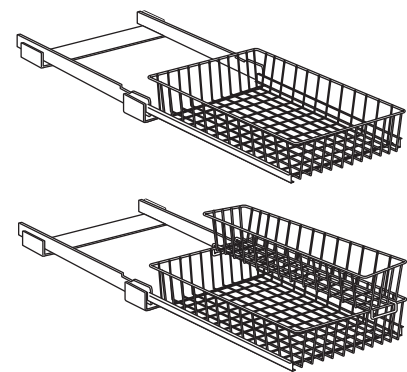
Inspect all parts and read all instructions prior to beginning assembly and installation.

- 1 Place sliding base assembly (B) on cabinet floor, 1/2" to 3/4" from front of cabinet. Close door to make sure the unit will not hold the door open. Fasten in place using four (4) mounting screws (C).

Optional:

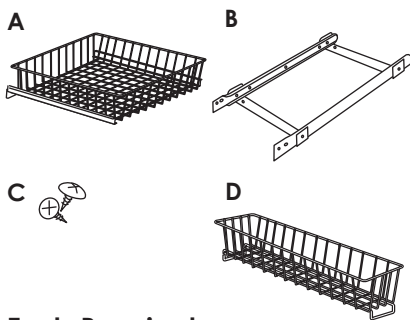
To avoid splitting wood you may mark placement of mounting holes with a pencil, remove unit and drill pilot holes for fastening screws.

- 2 Slide basket into sliding base assembly by inserting wheels on basket into tracks on slide bracket assembly. The basket should move freely along the track. If included, install the upper basket (D). Assembly and installation are now complete.



### Parts Included

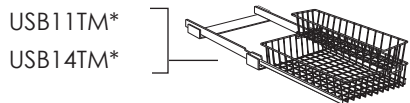
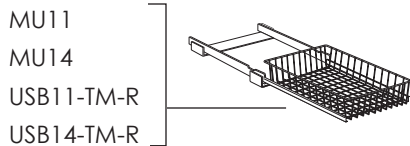
- A. Wire Basket Assembly
- B. Sliding Base Assembly
- C. (4) Mounting Screws
- D. Upper Basket (USB11 & USB14 assemblies only)



### Tools Required

- Phillips Head Screwdriver
- Drill with 1/16" (1.5mm) bit for drilling pilot holes
- Pencil

### Product Assemblies



\* Contains upper basket.

