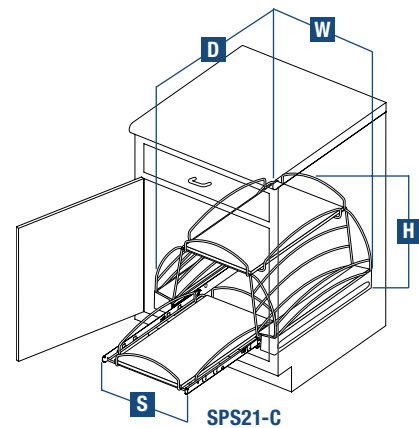


an **SefaCo.** Store
1-800-667-8721



Pot & Pan Caddy

- Pre-finished birch veneer platforms with contoured skirting and chrome heavy-gauge wire fencing
- Two side racks provide space for a variety of cookware and lids
- Each shelf carries a maximum of 25 lbs. and slides-out individually on KV® full-extension precision ball-bearing slides

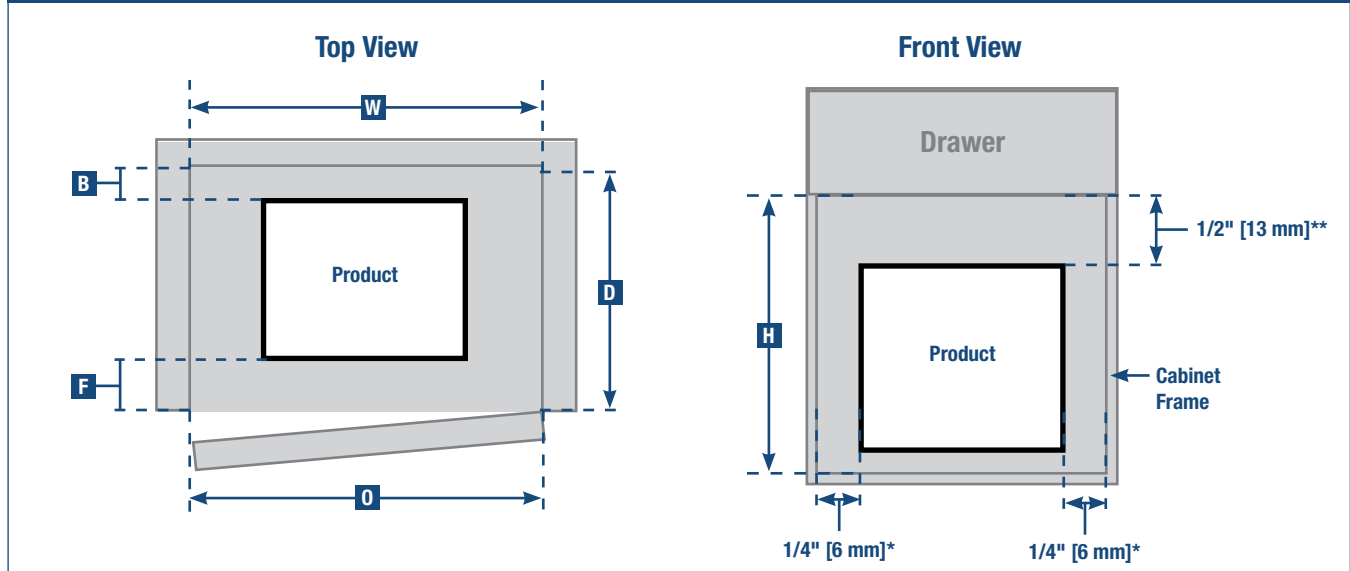


Stock #	Sliding Assembly	Assembled Product Dimensions			Finish [Wire/Platform]	Units per Carton	Weight per Carton
	S Width	W Width	H Height	D Depth			
POT & PAN CADDY							
SPS21-C	19.5" [495.3 mm]	19.5" [495.3 mm]	14-1/4" [362 mm]	22-1/4" [565 mm]	Chrome/Birch	1	32.6 lb.s [14.8 kg.]

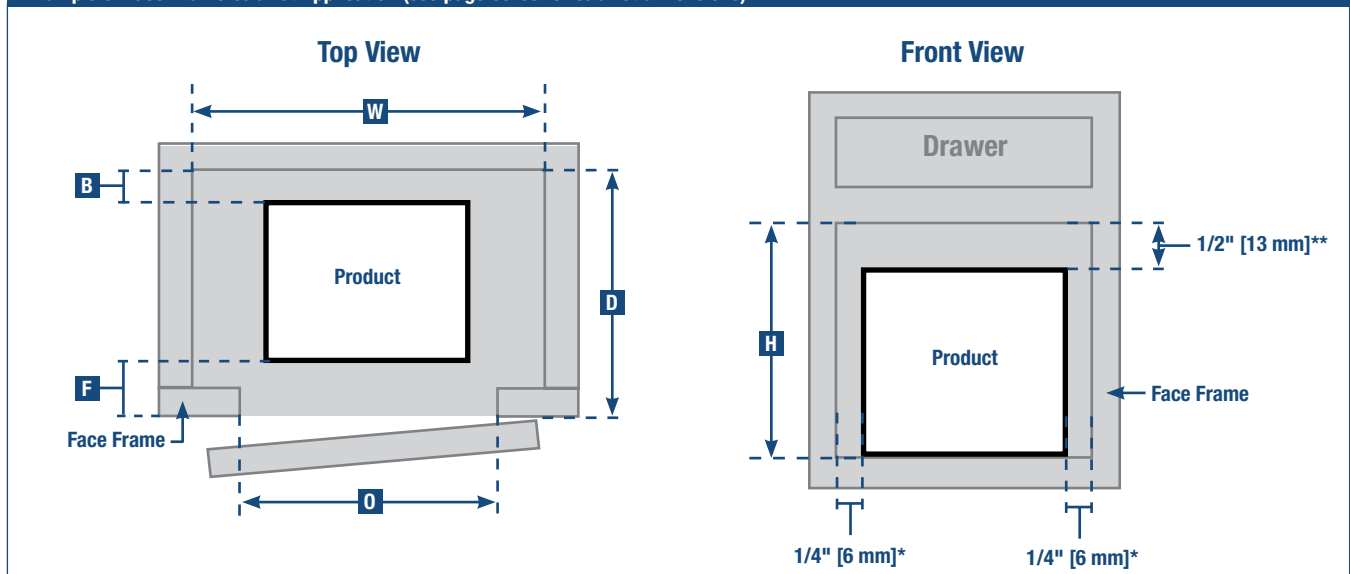


Cabinet Dimensions

Example of Frameless / Euro-Style Cabinet Application (see page 68-69 for cabinet dimensions)



Example of Face-Frame Cabinet Application (see page 68-69 for cabinet dimensions)



an *SefaCo.* Store
1-800-667-8721

Dimensions shown are recommended minimum cabinet dimensions and clearances.

* Slide-out Base Blind Corner Units and Base Cabinet Organizers require 1/2" side clearance on one side, not both.

** Height clearances do not apply to top-mounted Pantry Roll-Out units.