

GROOMING RACK

Installation Instructions

Inspect all parts and read all instructions prior to beginning assembly and installation.

Parts Included

- A. Grooming Rack
- B. Mounting screws (1/2" long)

Tools Required

- Phillips screwdriver
- Drill with 1/16" bit for pilot holes (optional)
- Tape
- Pencil
- Tape measure

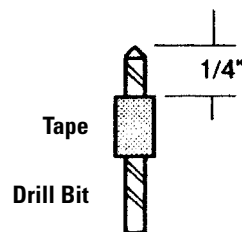
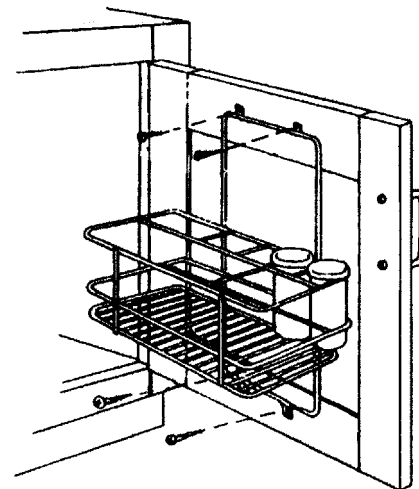
Product Assemblies

- GR12
- GR6.75

Step 1 Open door of cabinet and hold grooming rack in place on backside of door. The rack is designed to be installed on the top frame of the cabinet door where the wood is the thickest. Caution: Make sure the mounting screws provided are not longer than the thickness of the door by measuring the thickness of the door frame. The mounting screws are 1/2" long.

Step 2 Mark the screw position location with a pencil. It's recommended to use small pilot holes drilled into the door to avoid splitting the wood. Mark on the drill bit 1/4" from the tip and wrap tape around the bit to use as a guide for drilling the pilot hole. Fasten the grooming rack in place with two mounting screws in the top loops.

Step 3 Close cabinet door to verify rack will not interfere with door operation. Open the door and fasten the two remaining mounting screws through the bottom loops. Installation is complete.



Real Solutions
For Real Life.™