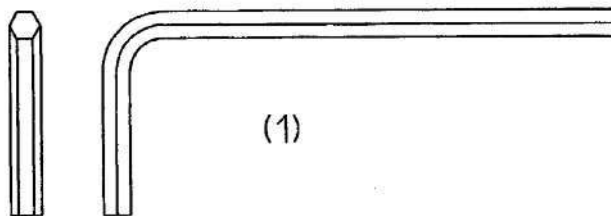
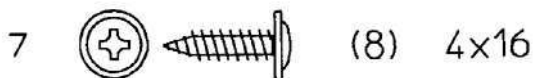
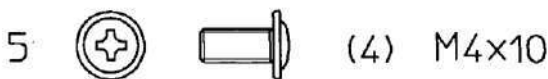
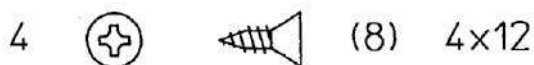
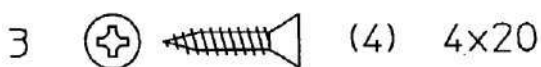
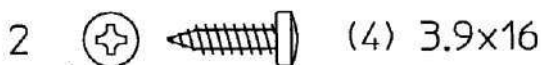
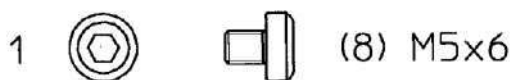


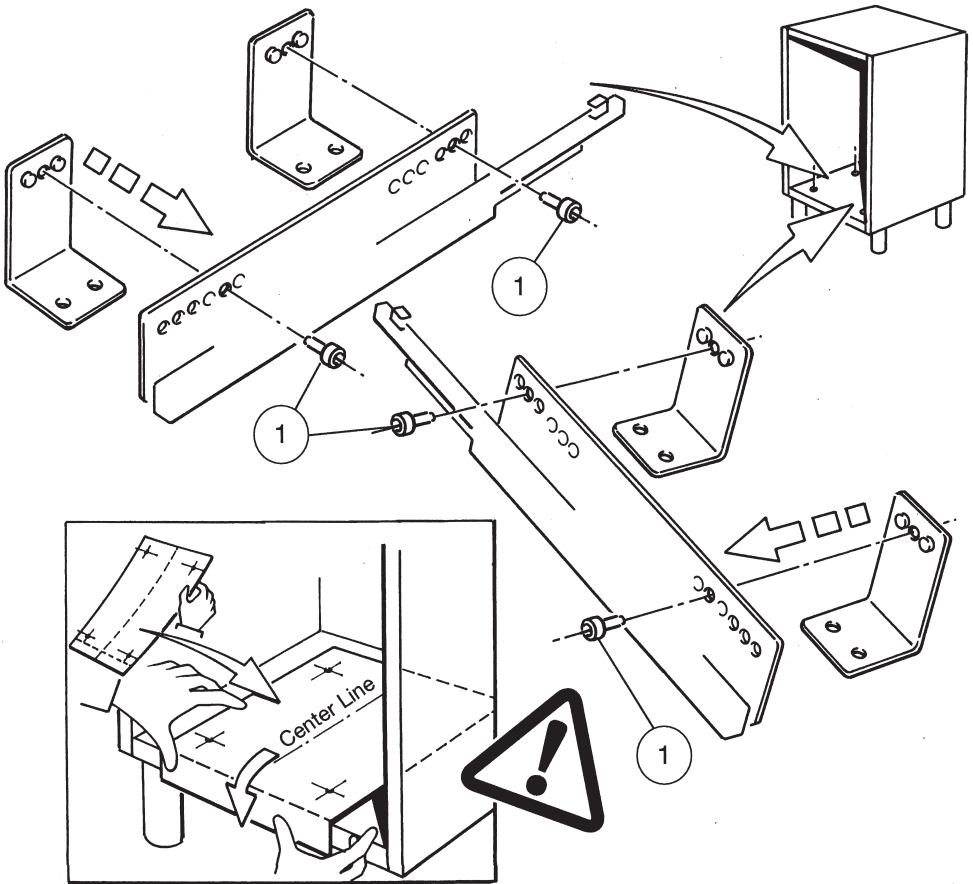
# REV·A·SHELF®

WIRE PRODUCTS AND ENGINEERING

**Cesto estraibile • Pull-out basket**



## BOTTOM APPLICATION

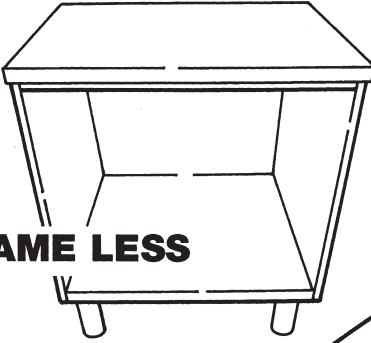


**Note:**  
Not valid for cutlery organizer

1. Fix Brackets to slides
2. Fix slides to bottom cabinet referring to template

Next Step  
GO TO PAGE 13

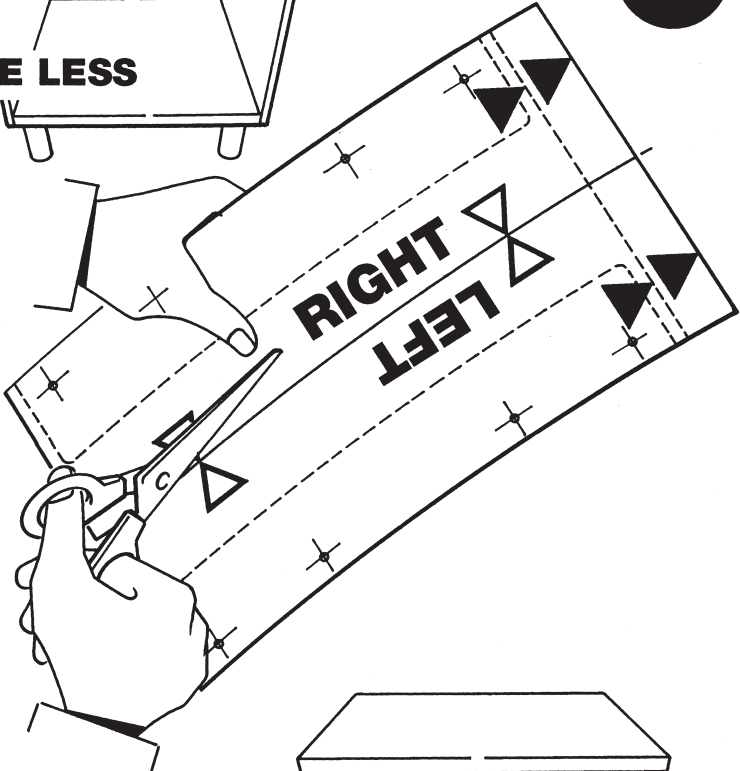
SIDE APPLICATION



**FRAME LESS**

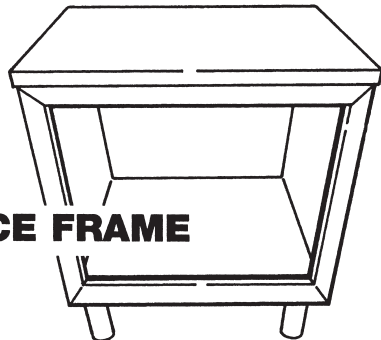
GO TO PAGE 4

**1**

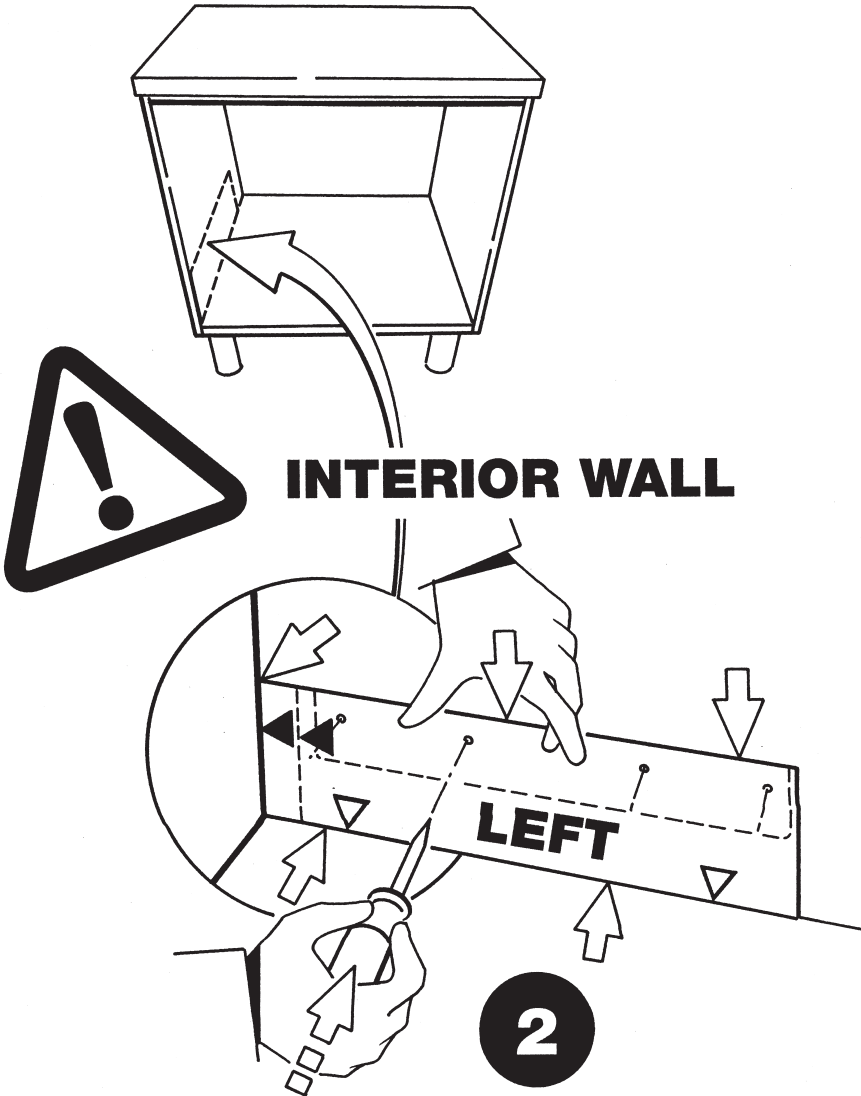


**RIGHT**  
**LEFT**

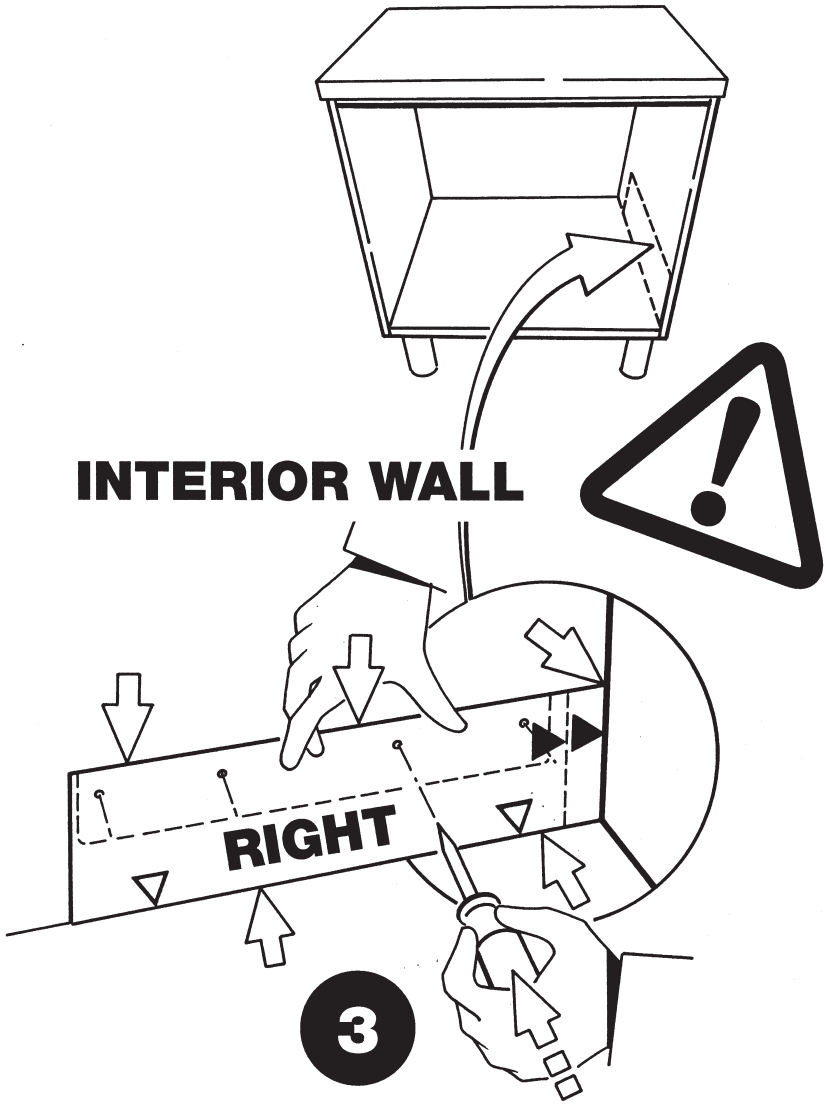
**FACE FRAME**



GO TO PAGE 6



DRILL PILOT HOLES IN EACH SIDE  
OF CABINET AT LOCATION FOUND  
BY THE TEMPLATE



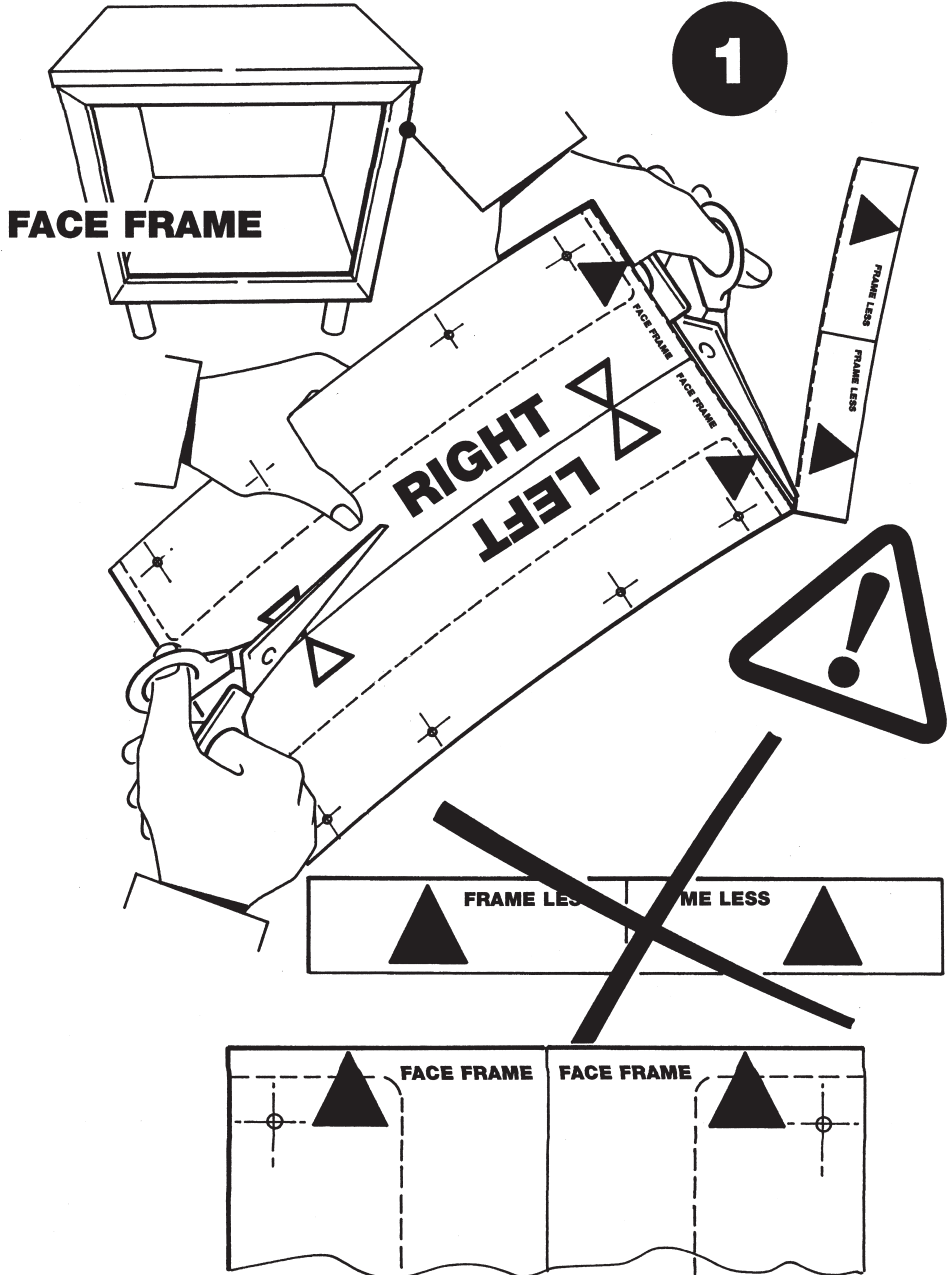
# INTERIOR WALL

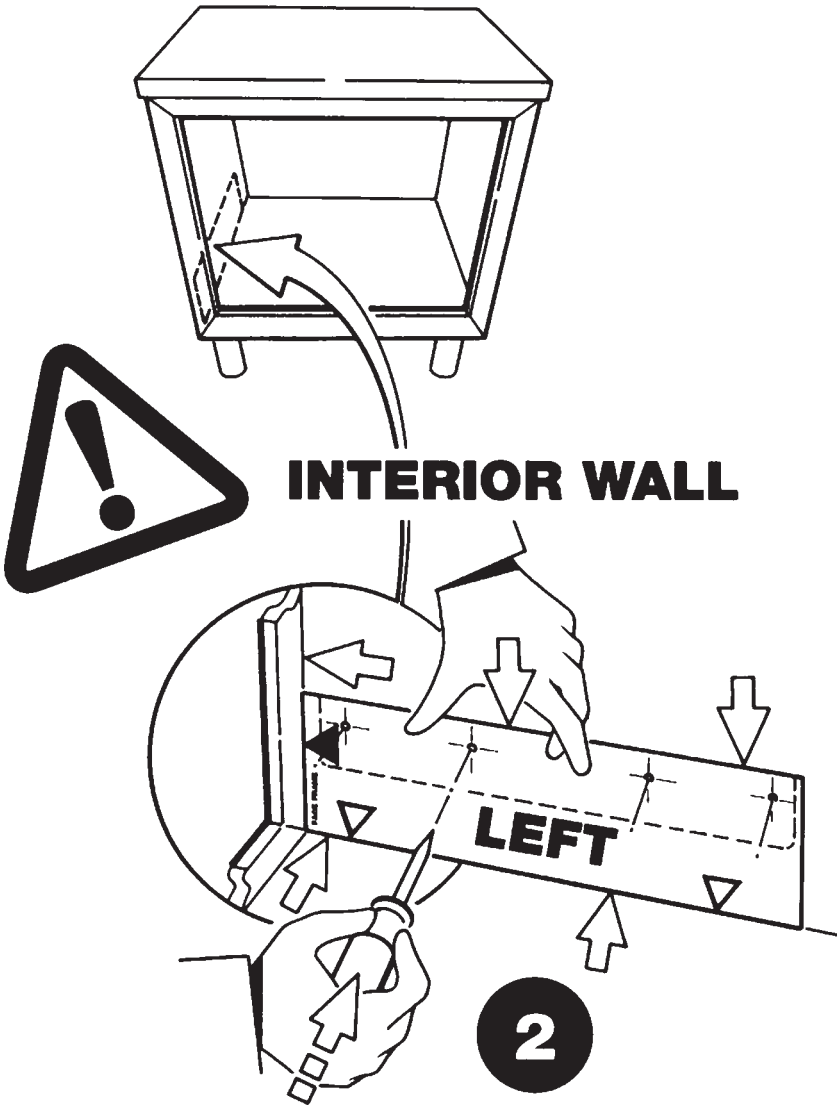
**RIGHT**

**3**

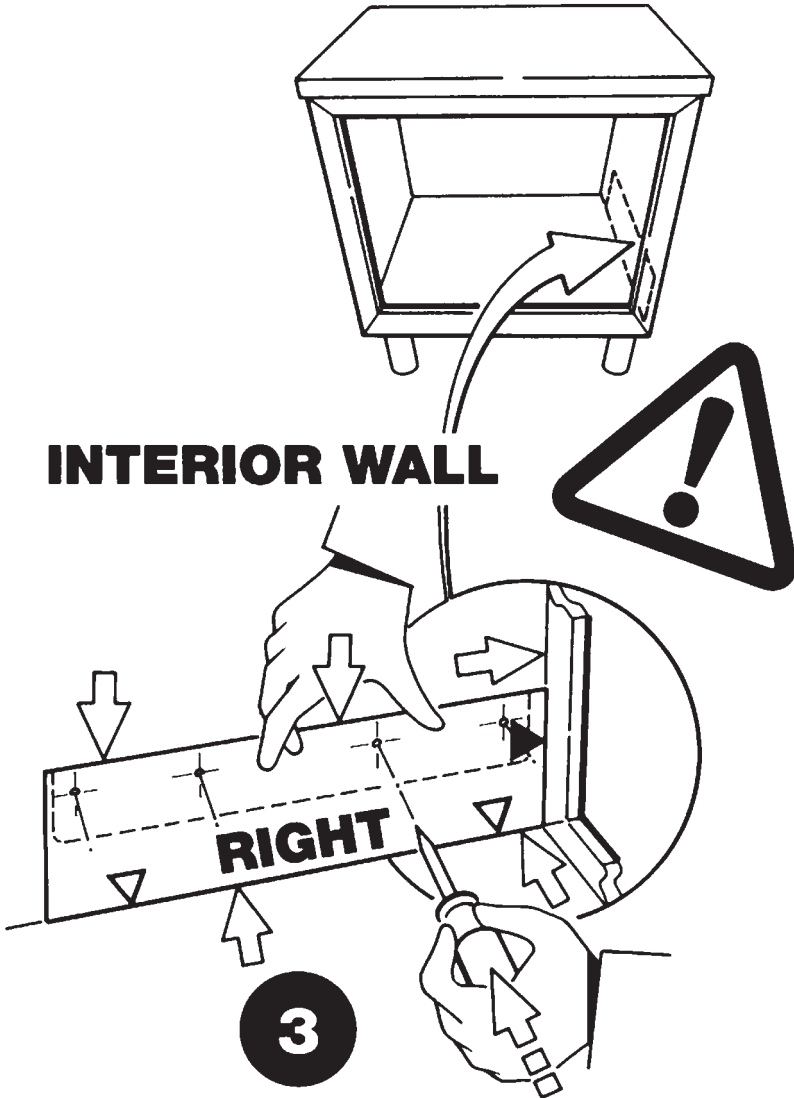
DRILL PILOT HOLES IN EACH SIDE OF CABINET AT LOCATION FOUND BY THE TEMPLATE

Next Step  
GO TO PAGE 9

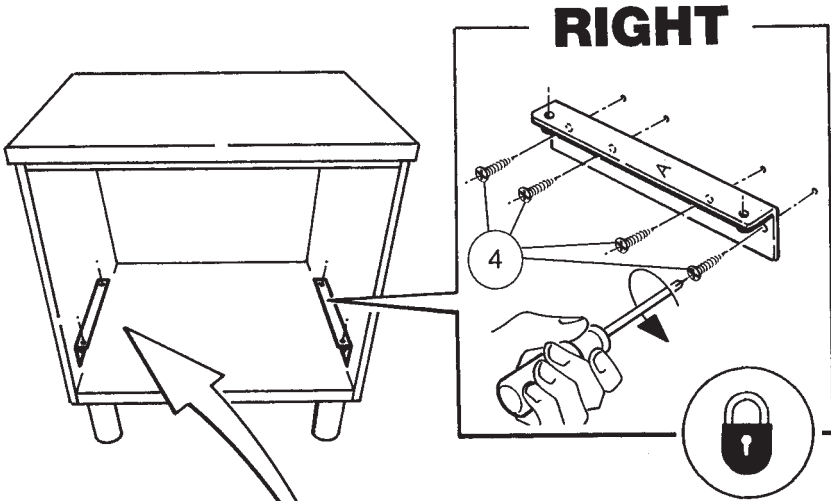




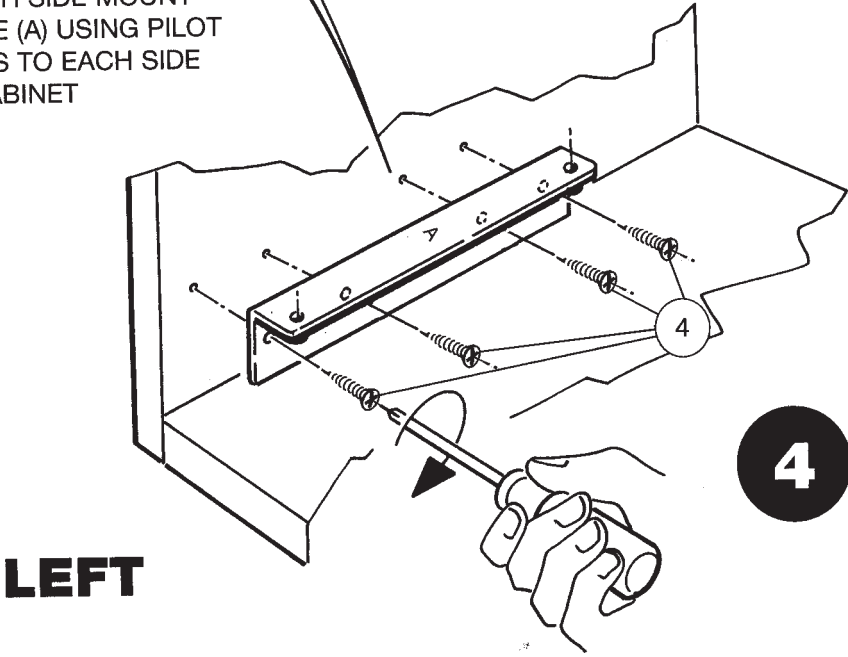
DRILL PILOT HOLES IN EACH SIDE  
OF CABINET AT LOCATION FOUND  
BY THE TEMPLATE



DRILL PILOT HOLES IN EACH SIDE  
OF CABINET AT LOCATION FOUND  
BY THE TEMPLATE

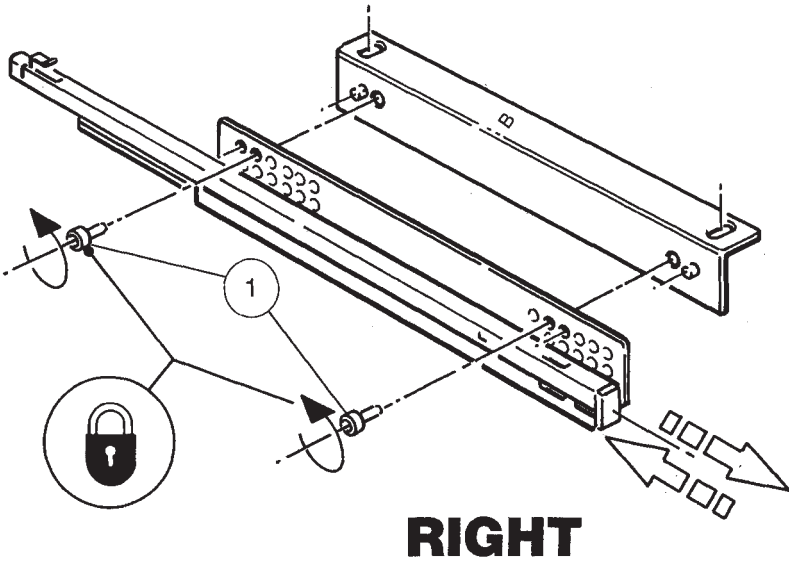
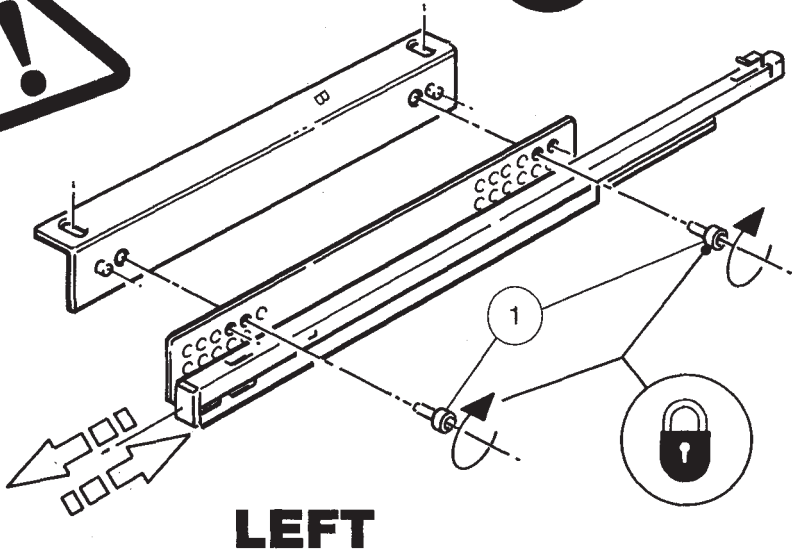


ATTACH SIDE MOUNT  
ANGLE (A) USING PILOT  
HOLES TO EACH SIDE  
OF CABINET

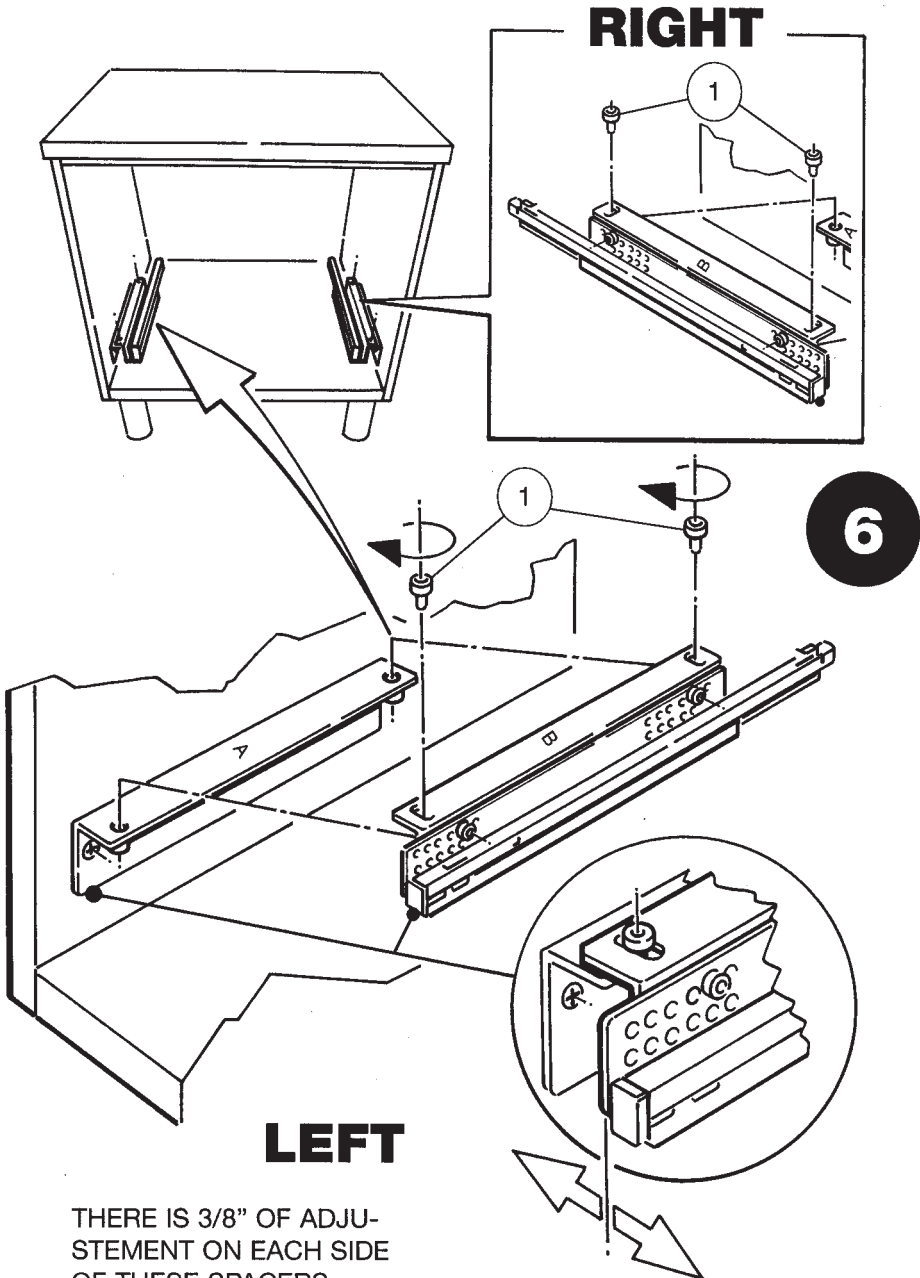


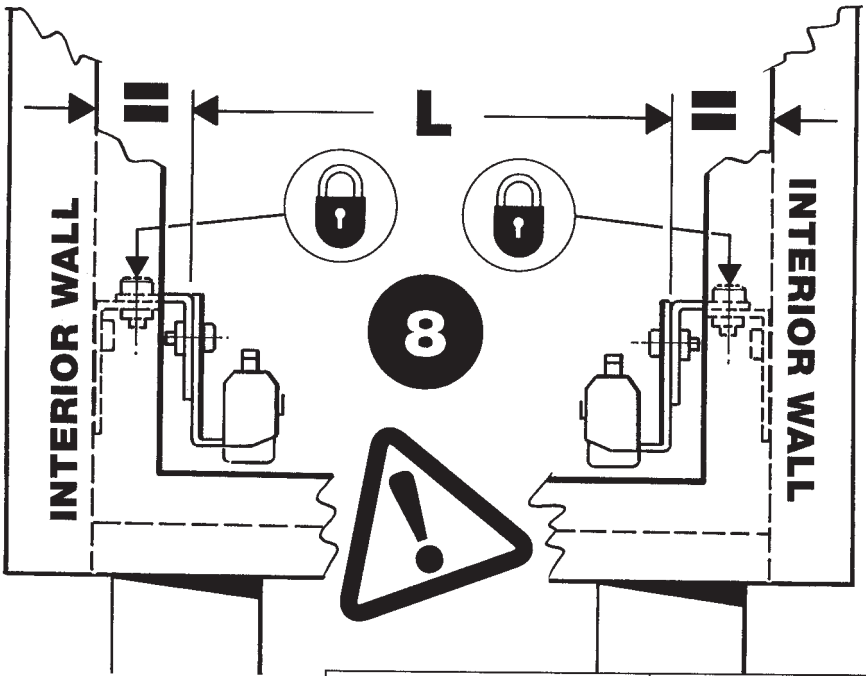
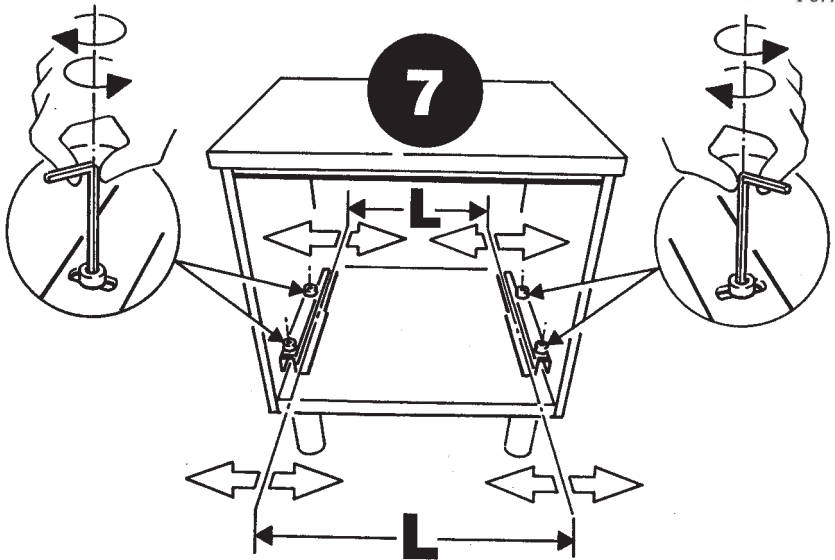
ATTACH SLIDES TO SIDE  
MOUNT ANGLE (B)

**5**



JOIN SIDE MOUNT ANGLES  
(A) AND (B) AS SHOWN

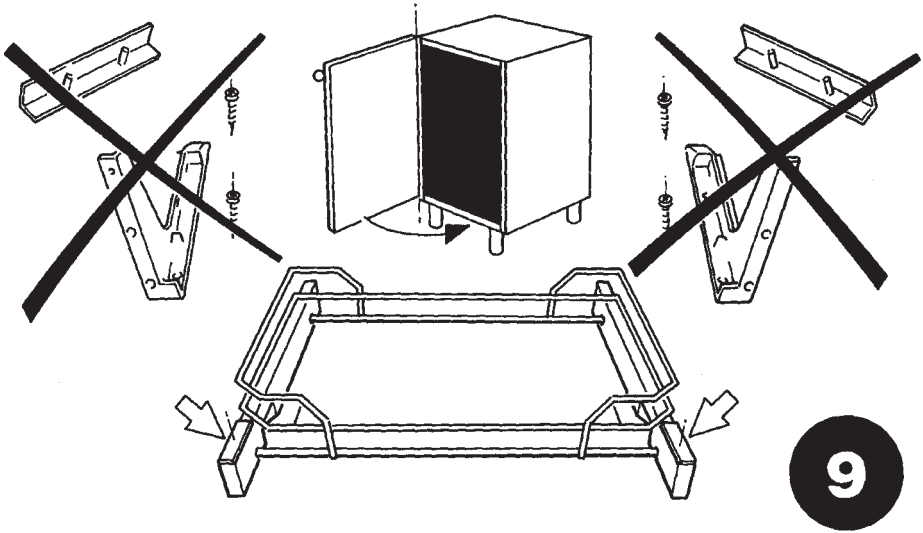




ADJUST WIDTH BETWEEN  
SLIDES, DIMENTION "L" AS  
SHOWN IN THE FOL-  
LOWING TABLET:

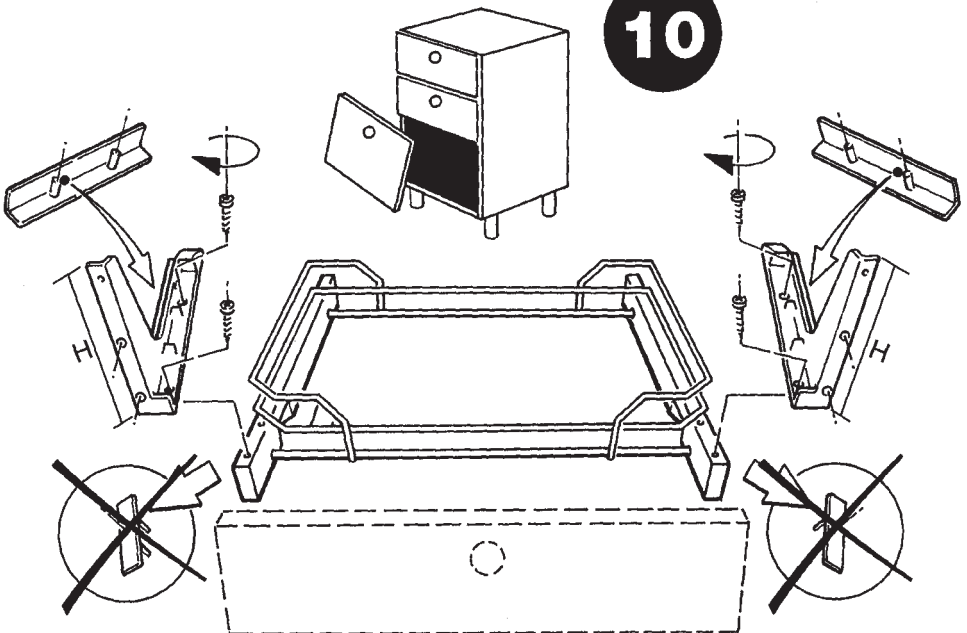
DIMENTION CABINET	DIMENTION "L"
15"	11 3/8"
18"	14 3/8"
24"	20 3/8"
36"	32 3/8"

### FRONT DOOR WITH HINGES



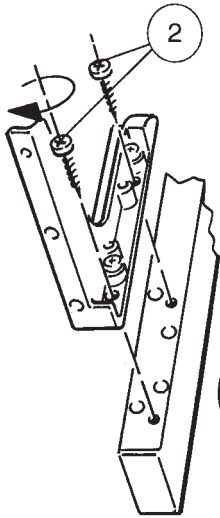
INSTALL RECTANGULAR COVER OVER ALLUMINIUM SLIDE COVER

### FRONT DOOR APPLIED TO PULL-OUT BASKET



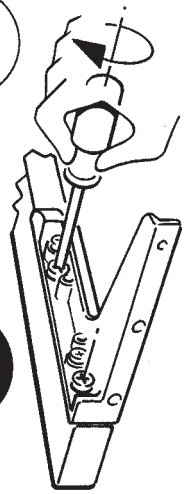
**ATTENTION:** CUTLERY ORGANIZER ART. 491 H=1 19/64"

ALL OTHER ITEMS H=6 27/64"

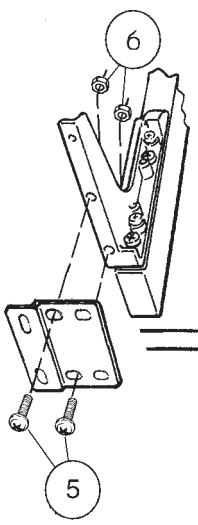


**11**

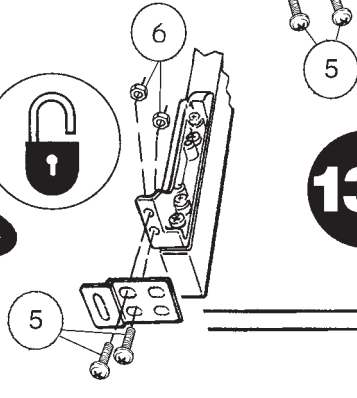
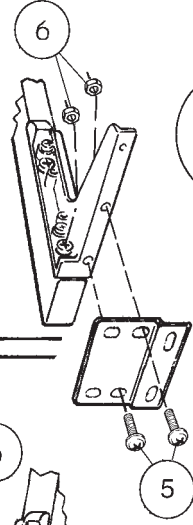
ATTACH DOOR MOUNT  
BRACKETS TO TOP OF  
ALLUMINIUM SLIDE  
COVER USING SCREWS



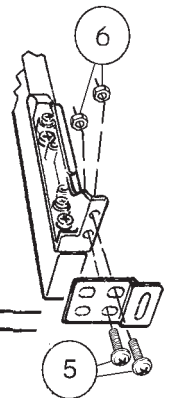
**12**



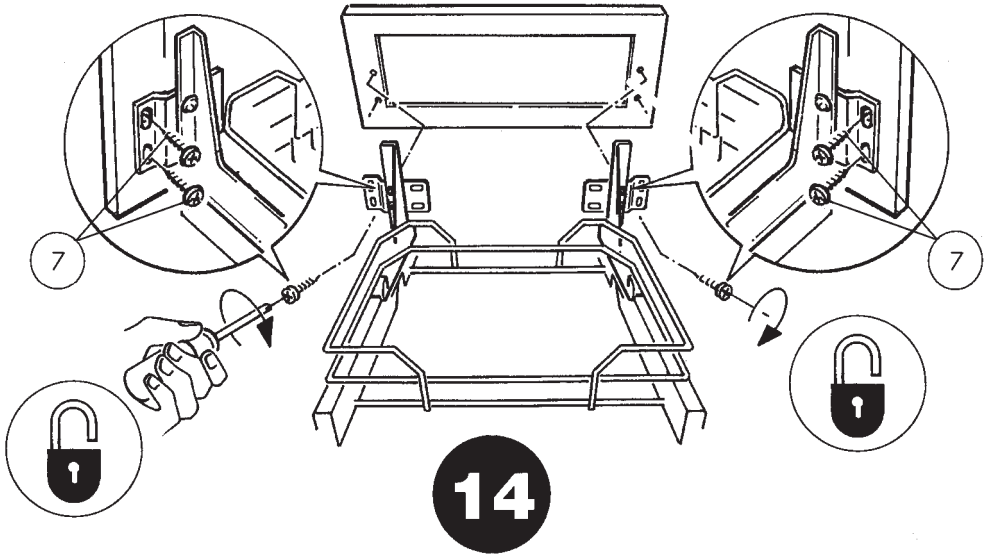
**13**



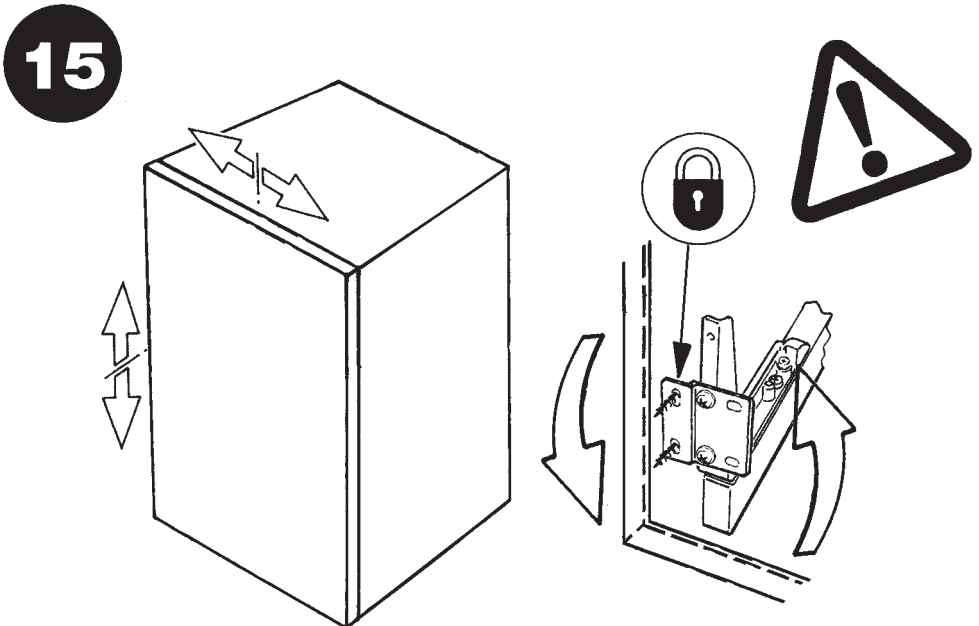
**13a**

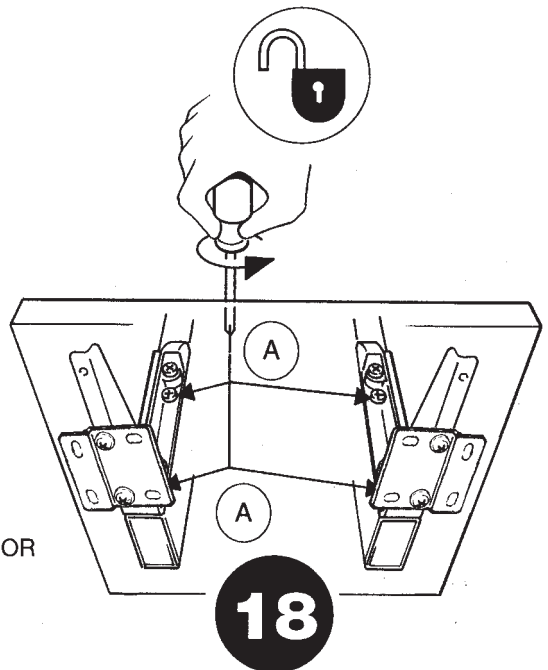
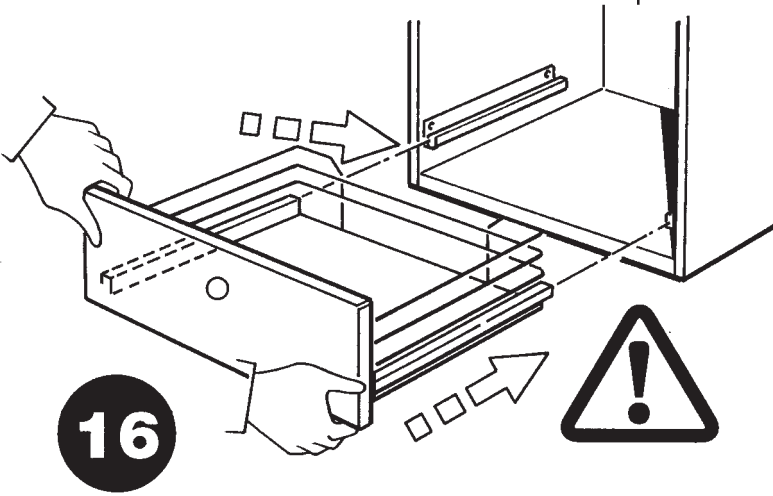


"Add the metal door mount extension brackets if your door or drawer front requires a mounting position to the exterior of the product frame. These brackets should eliminate the need for a sub-door or drawer. (see 14-18)"



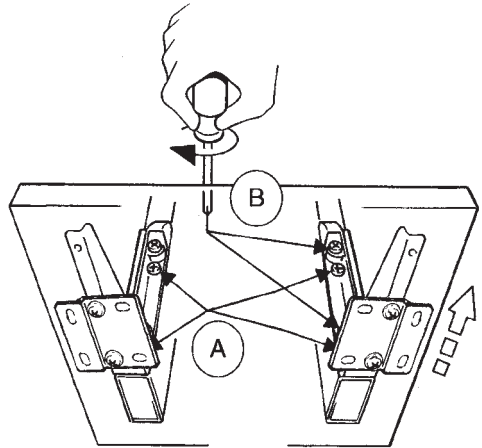
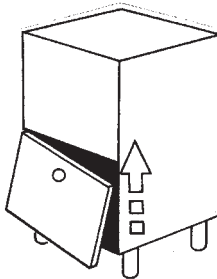
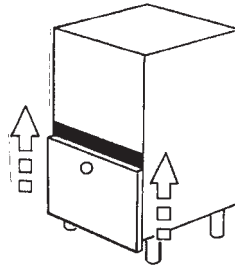
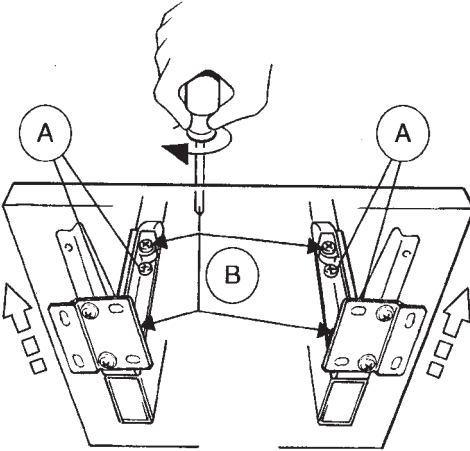
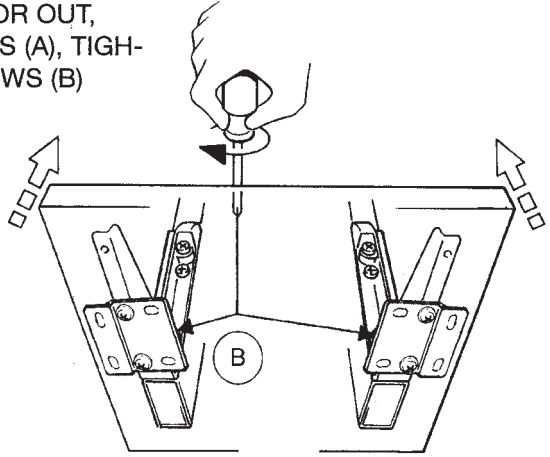
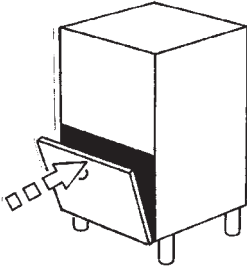
ATTACH BASKET WITH BRACKETS TO CABINET DOOR. BE SURE UNIT IS CENTERED SIDE TO SIDE AND AT THE PROPER HEIGHT TO ALLOW PROPER OVERHANG OF DOOR AT TOP AND BOTTOM.



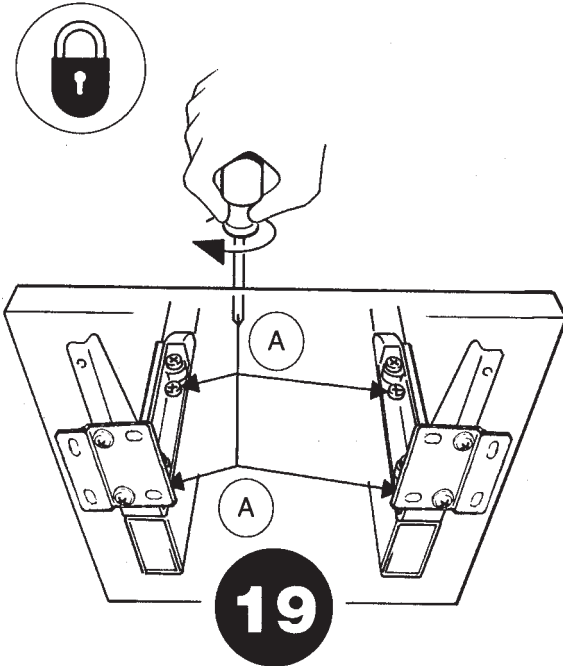


ADJUSTING THE FRONT DOOR

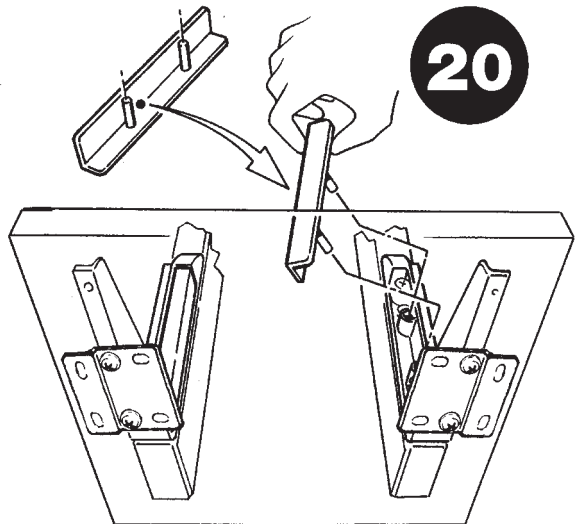
WHEREAS TO TILT TOP OF DOOR OUT,  
LOOSEN ATTACHMENT SCREWS (A), TIGHTEN  
BACK ADJUSTMENT SCREWS (B)



TO RAISE DOOR, LOOSEN ATTACHMENT SCREWS (A) AND TIGHTEN ADJUSTMENT SCREWS (B). TO LEVEL DOOR, RAISE LOW SIDE ONLY UNTIL DOOR IS LEVEL.

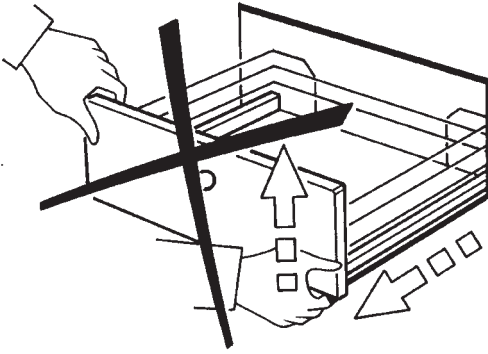


RE-TIGHTEN  
ATTACHMENT SCREWS (A).

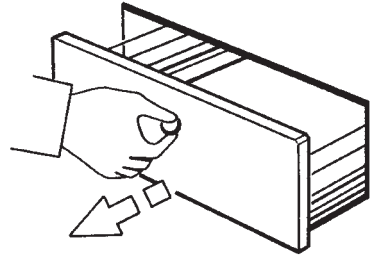


INSTALL SNAP ON COVER OVER ATTA-  
CHMENT AND ADJUSTMENT SCREWS.

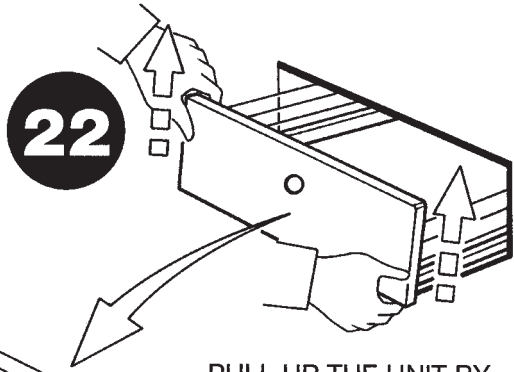
## REMOVING THE UNIT



PULL UP THE UNIT NO MORE THAN 1/3 OF THE DEPTH (7" APPROX.)

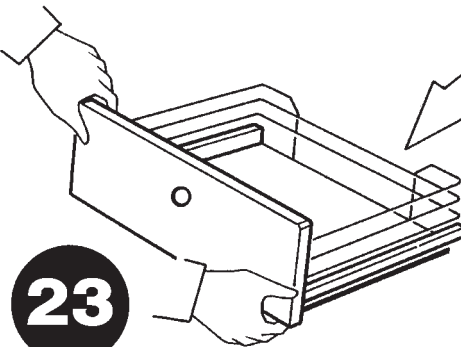


**21**



**22**

PULL UP THE UNIT BY FRONT DOOR. THIS WILL RELEASE THE ALLUMINIUM SLIDE COVERS FROM THE SLIDES



**23**

REMOVE THE UNIT