



at  
**cabinet :: accessories**  
U N L I M I T E D

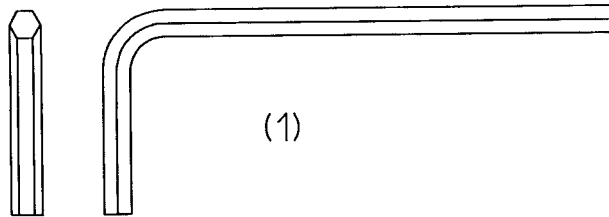
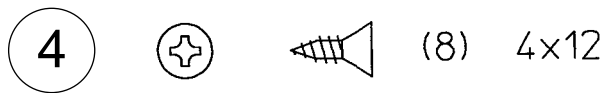
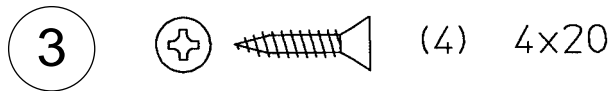
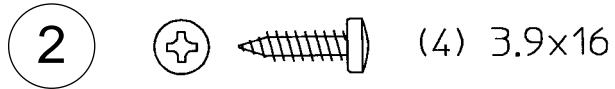
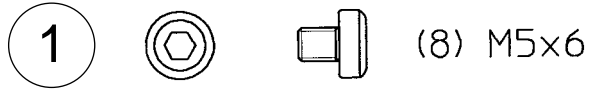
**COMPAGNUCCI®**



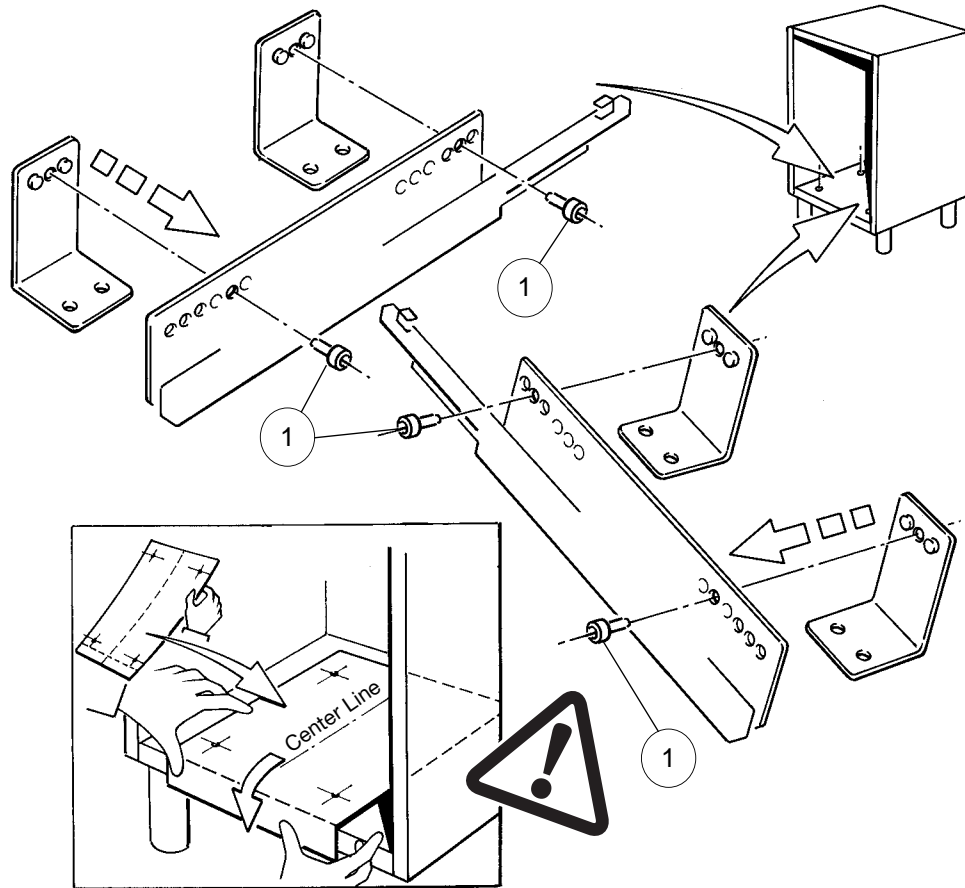
**WIRE PRODUCTS AND ENGINEERING**

Cesto estraibile • Pull-out basket

A30ISTR0194 March, 2003



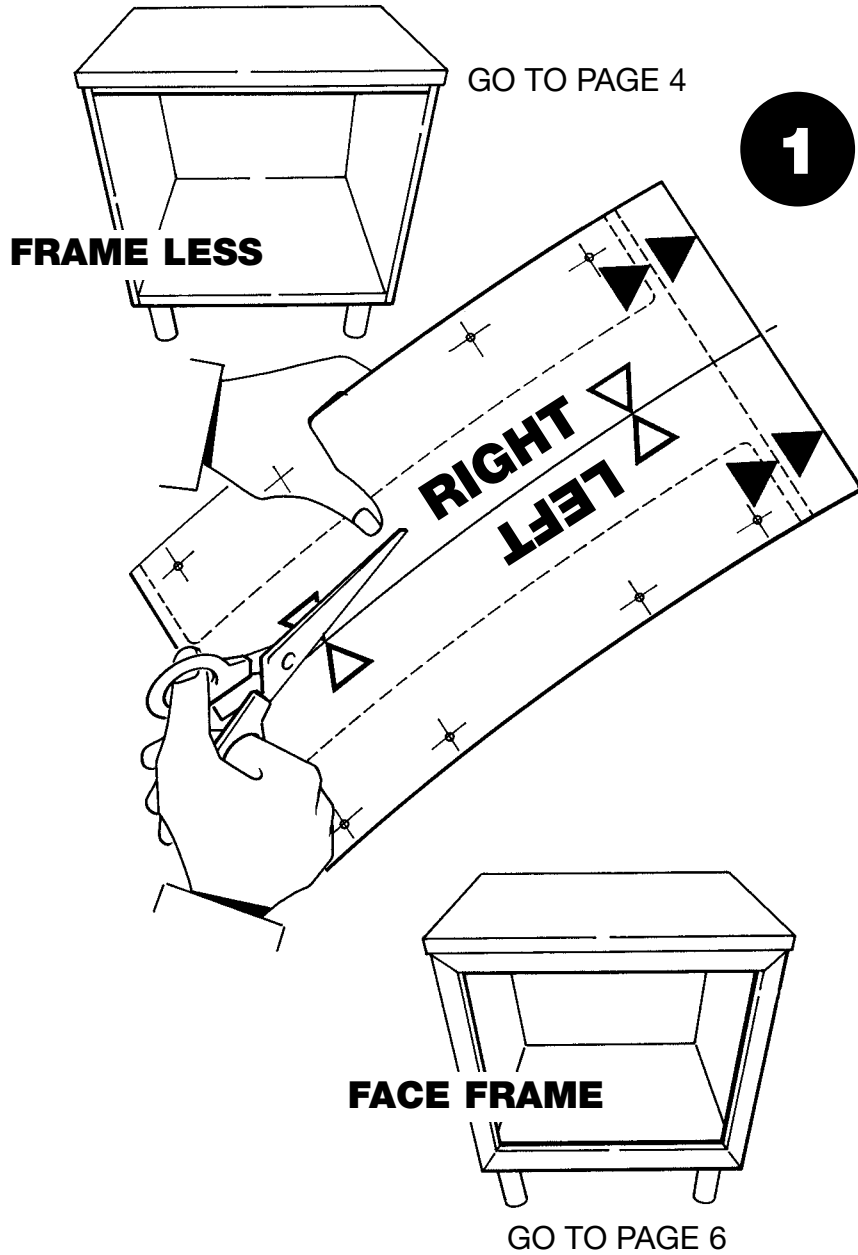
## BOTTOM APPLICATION

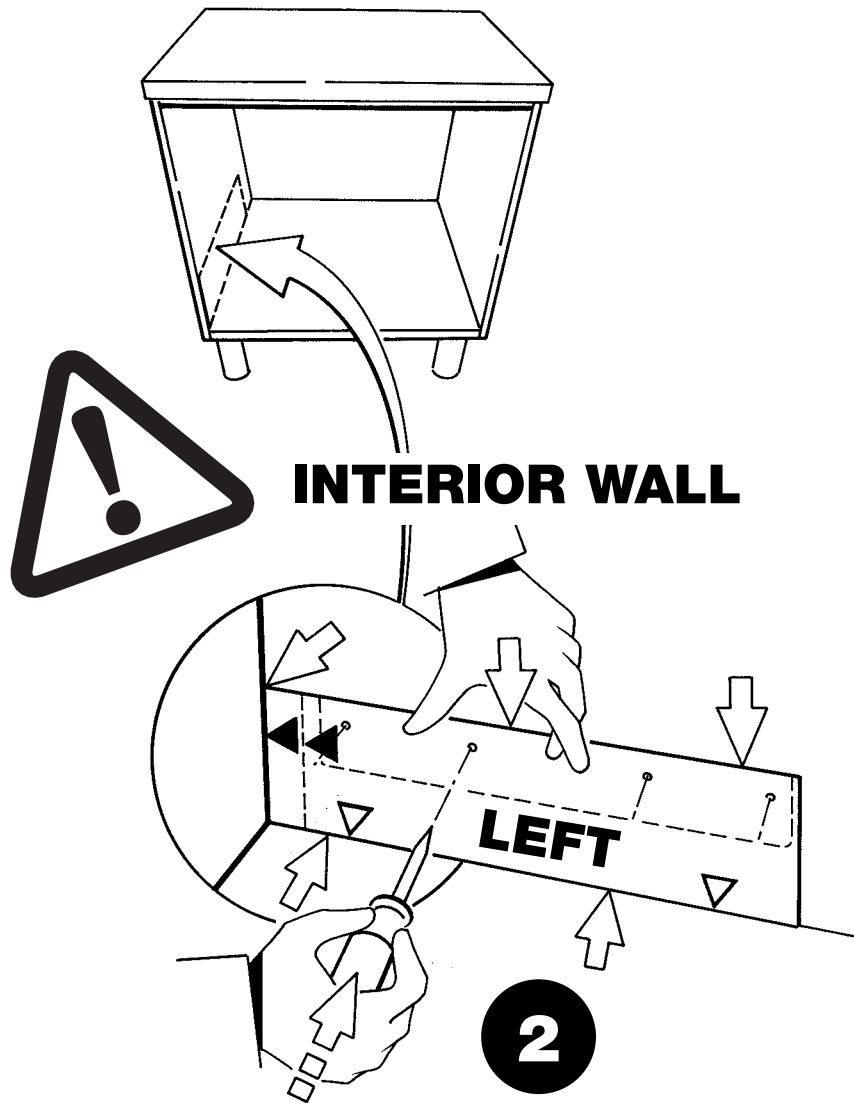


1. Fix Brackets to slides
2. Fix slides to bottom cabinet referring to template

Next Step  
GO TO PAGE 13

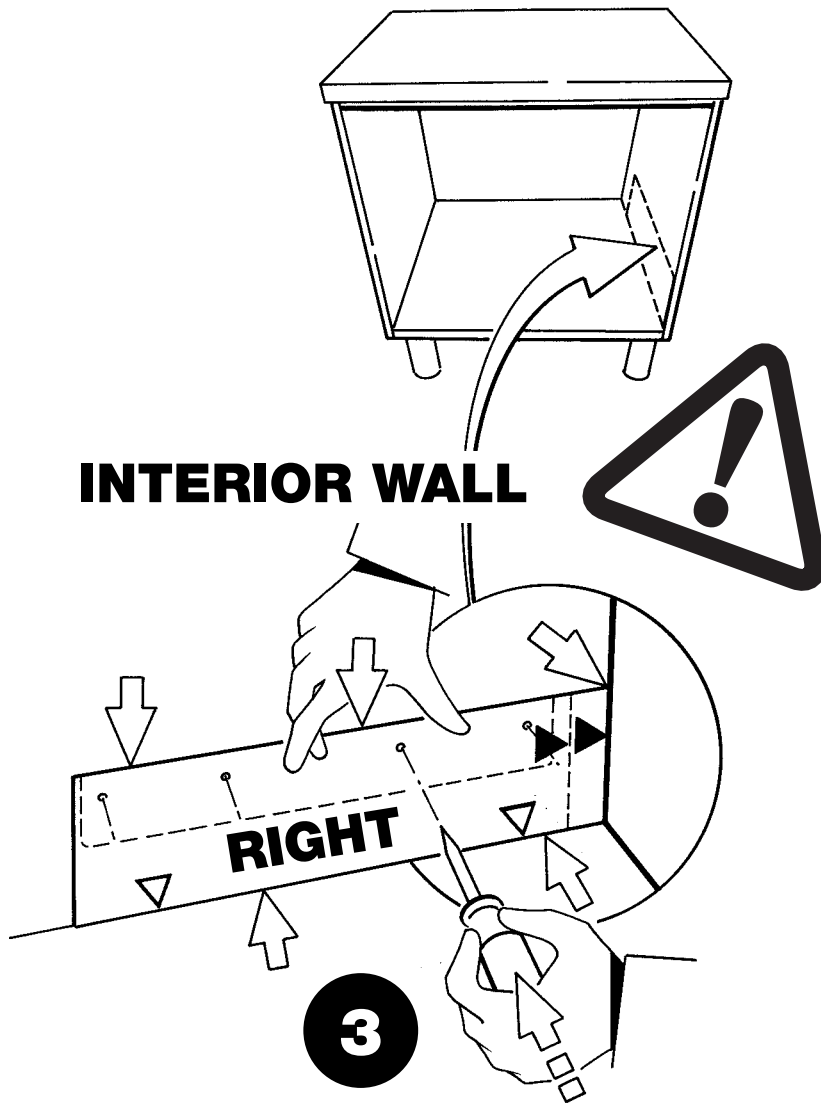
SIDE APPLICATION





DRILL PILOT HOLES IN EACH SIDE OF CABINET AT LOCATION FOUND BY THE TEMPLATE

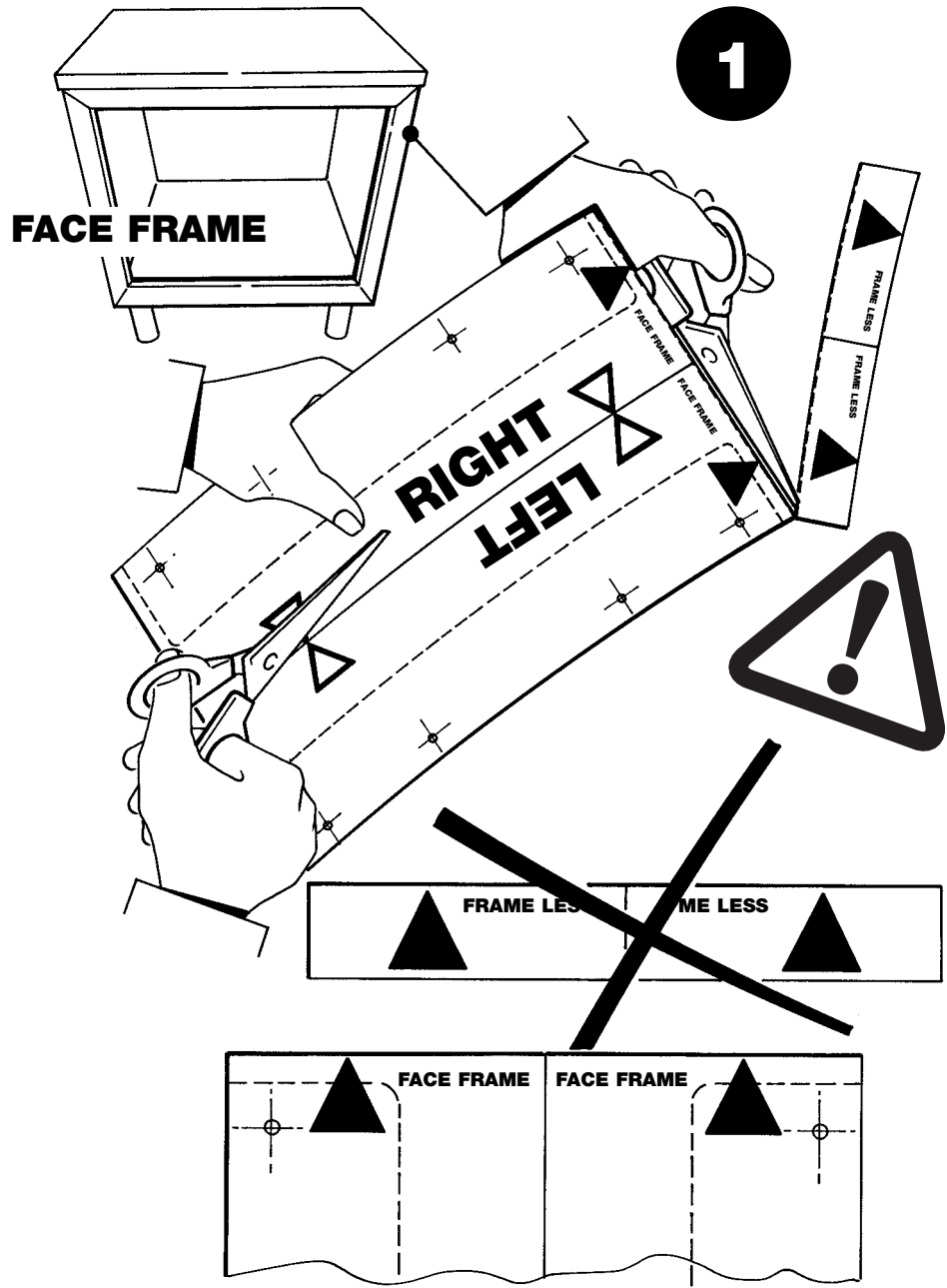
4

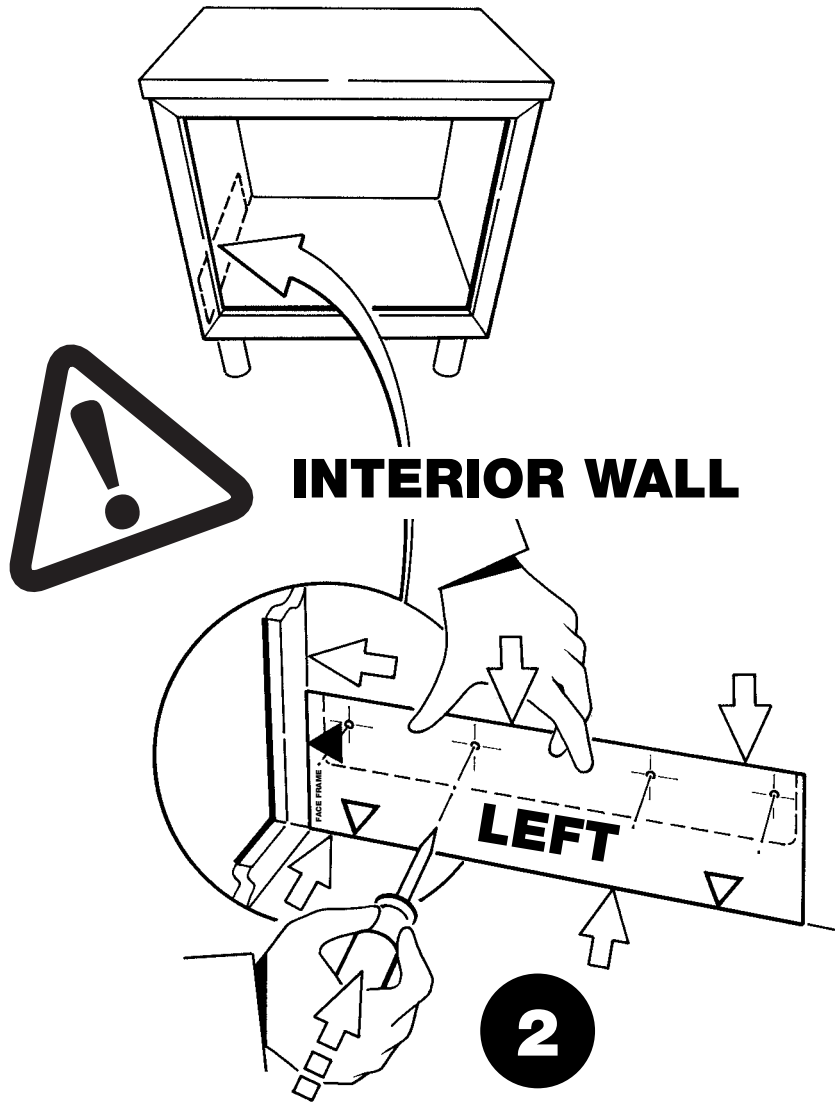


DRILL PILOT HOLES IN EACH SIDE  
OF CABINET AT LOCATION FOUND  
BY THE TEMPLATE

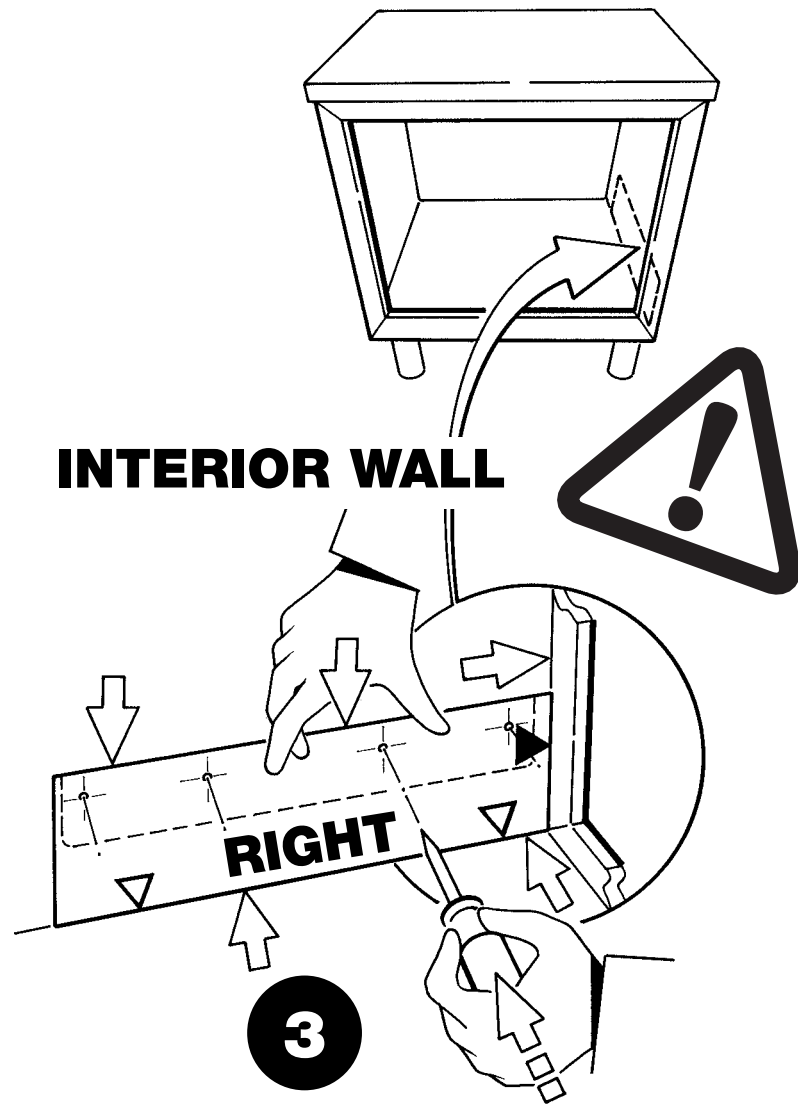
Next Step  
GO TO PAGE 9

5

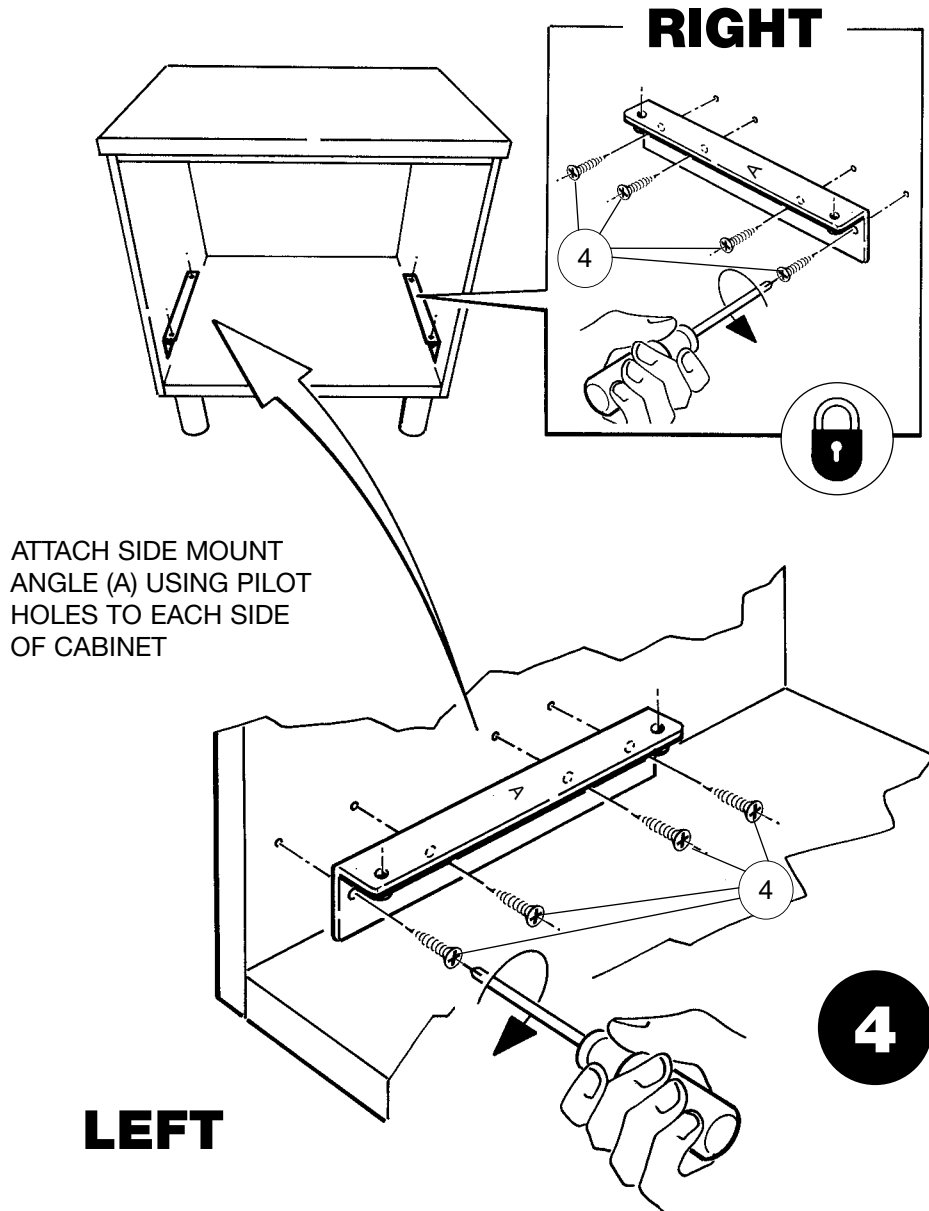




DRILL PILOT HOLES IN EACH SIDE  
OF CABINET AT LOCATION FOUND  
BY THE TEMPLATE

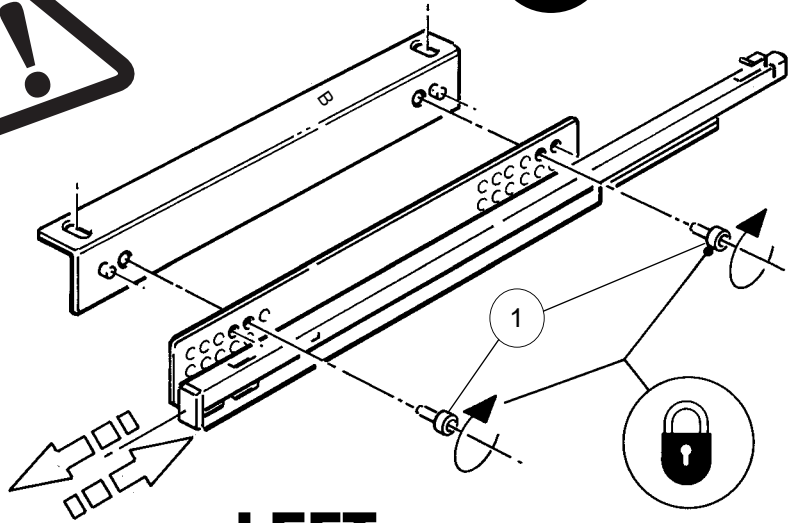


DRILL PILOT HOLES IN EACH SIDE  
OF CABINET AT LOCATION FOUND  
BY THE TEMPLATE

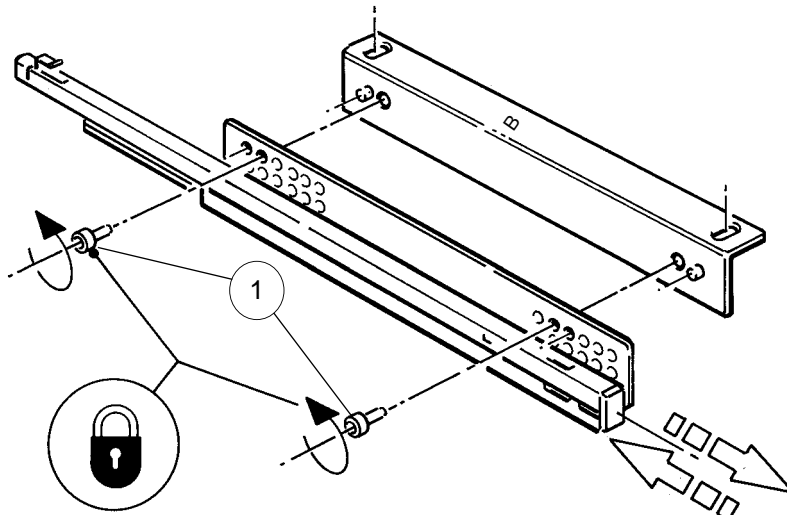


ATTACH SLIDES TO SIDE  
MOUNT ANGLE (B)

**5**

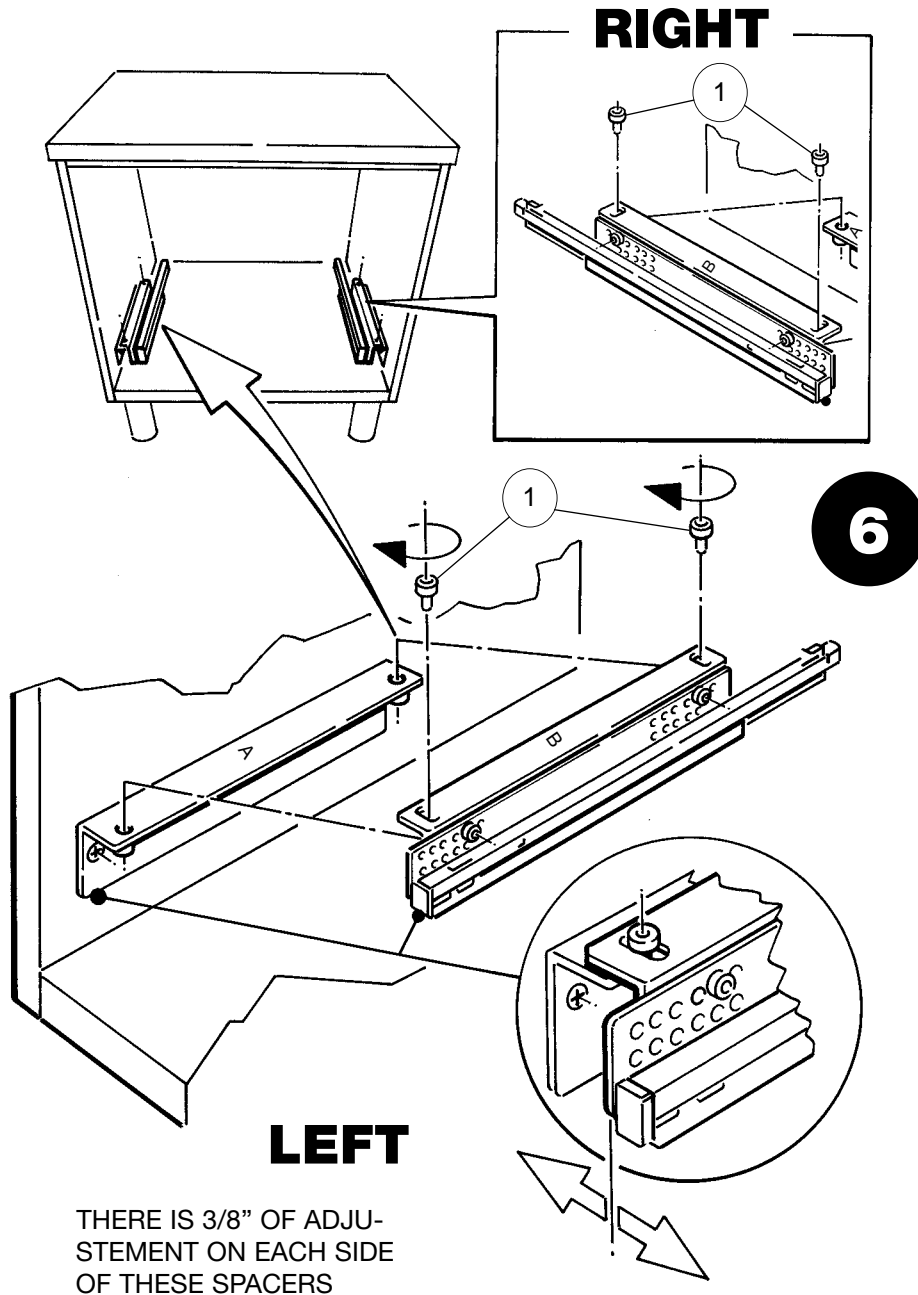


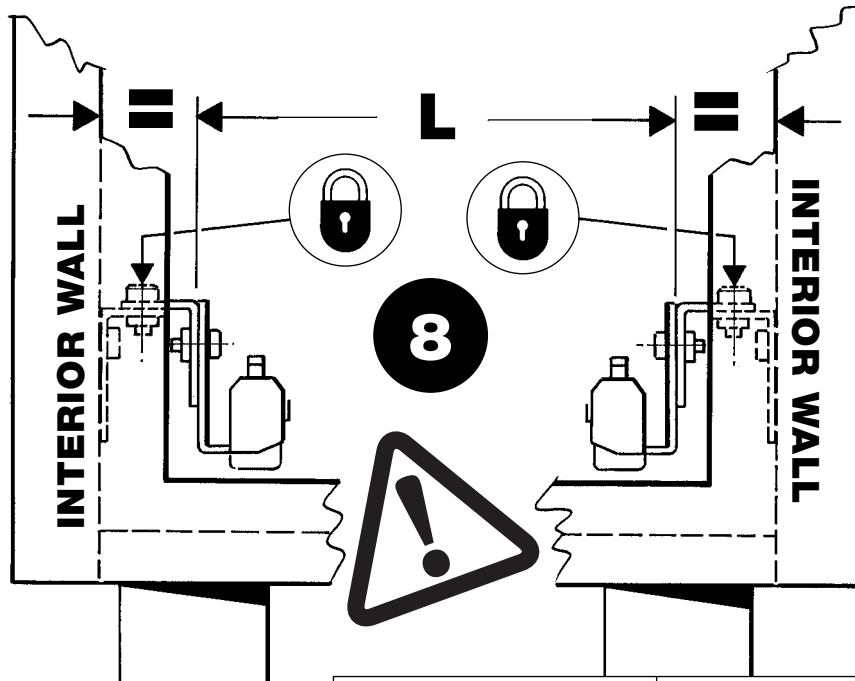
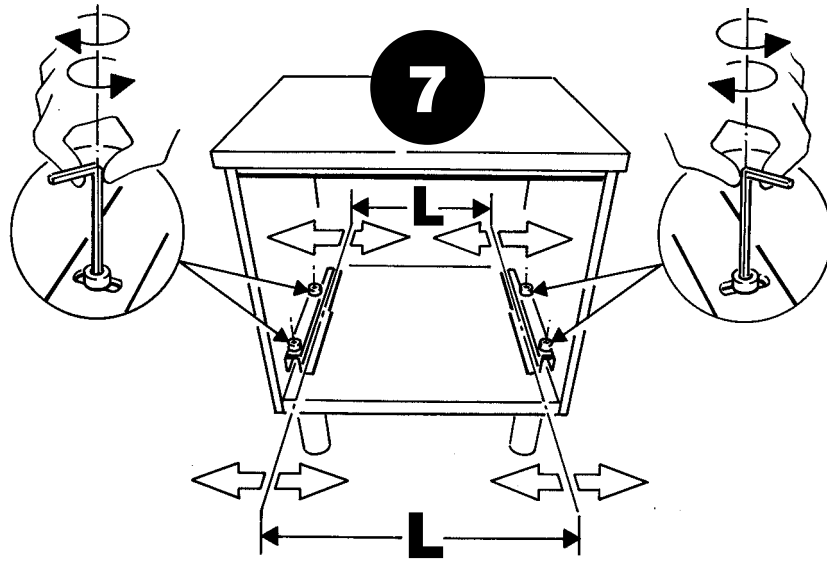
**LEFT**



**RIGHT**

JOIN SIDE MOUNT ANGLES  
(A) AND (B) AS SHOWN

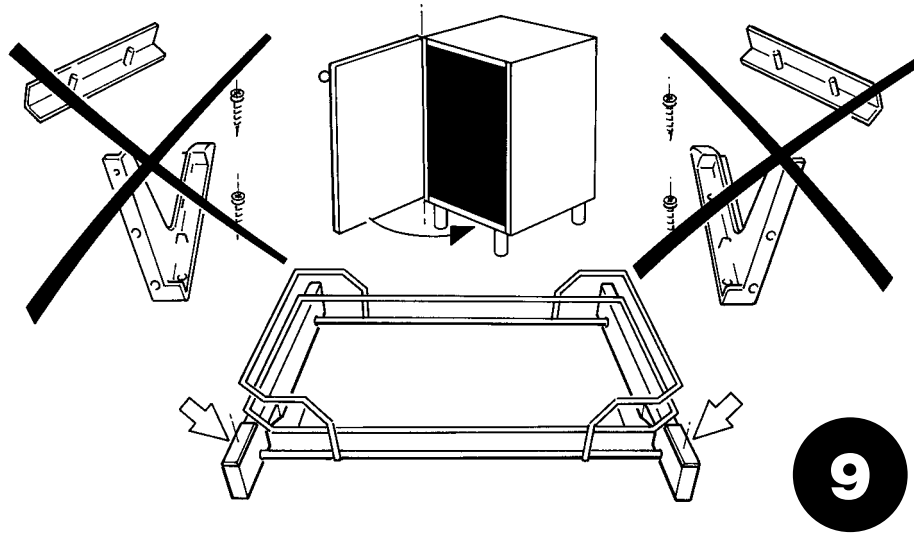




ADJUST WIDTH BETWEEN SLIDES, DIMENSION "L" AS SHOWN IN THE FOLLOWING TABLET:

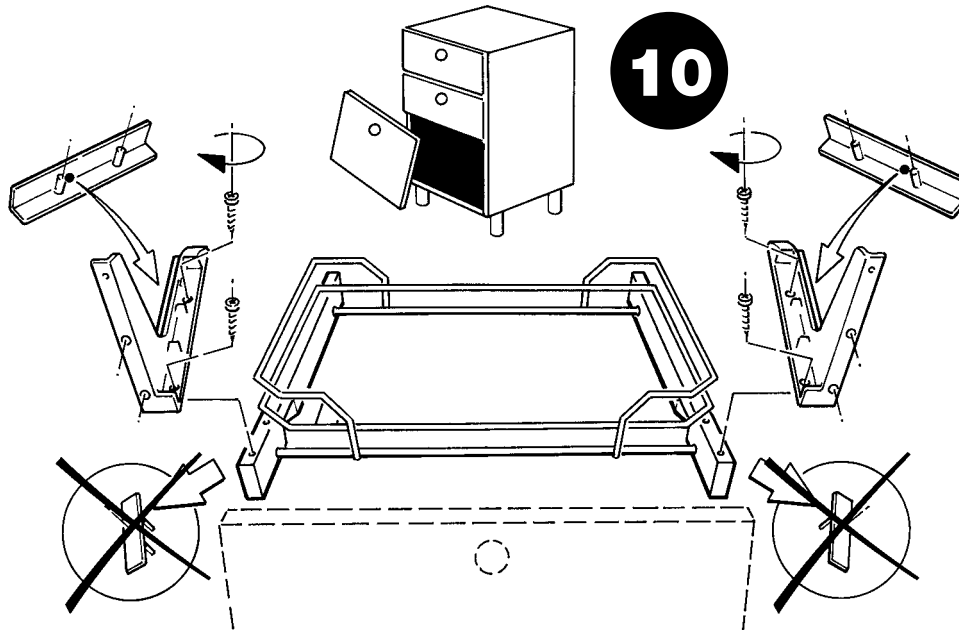
DIMENTION CABINET	DIMENTION "L"
15"	11 3/8"
18"	14 3/8"
24"	20 3/8"
36"	32 3/8"

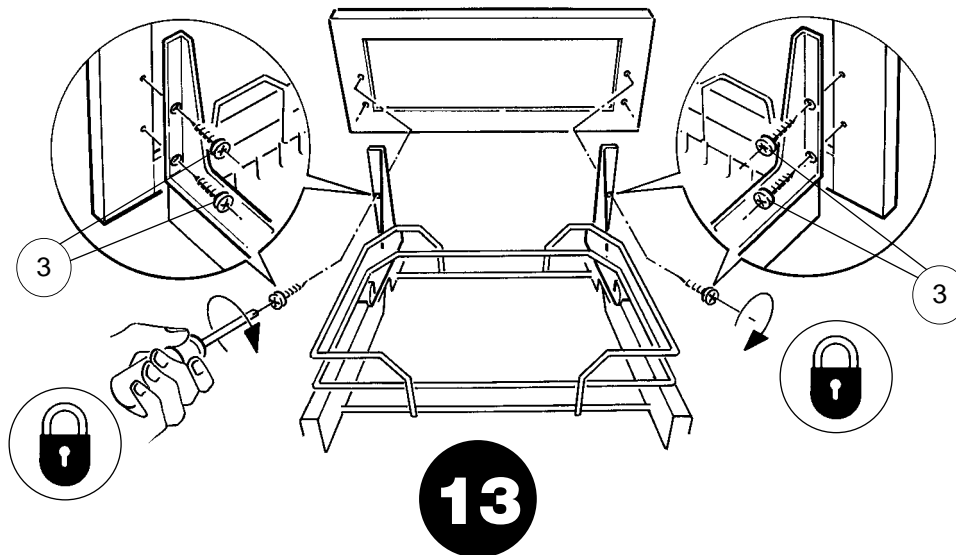
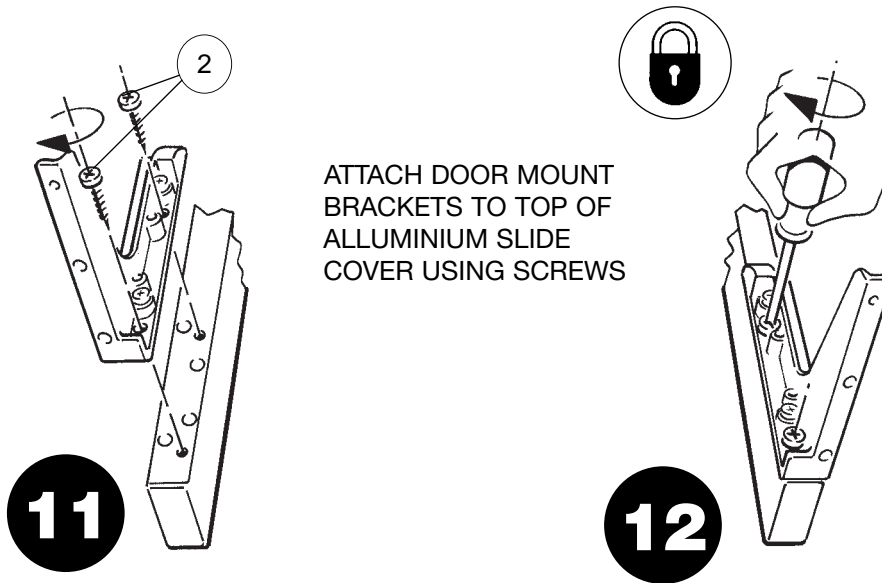
FRONT DOOR WITH HINGES



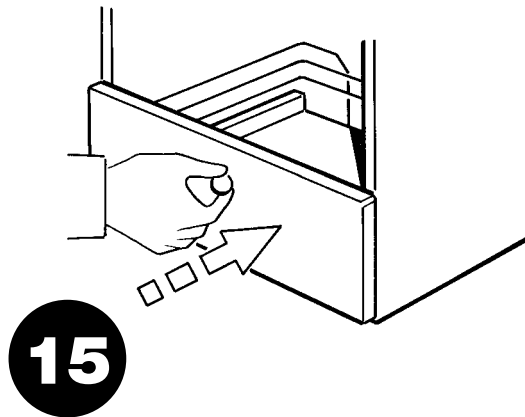
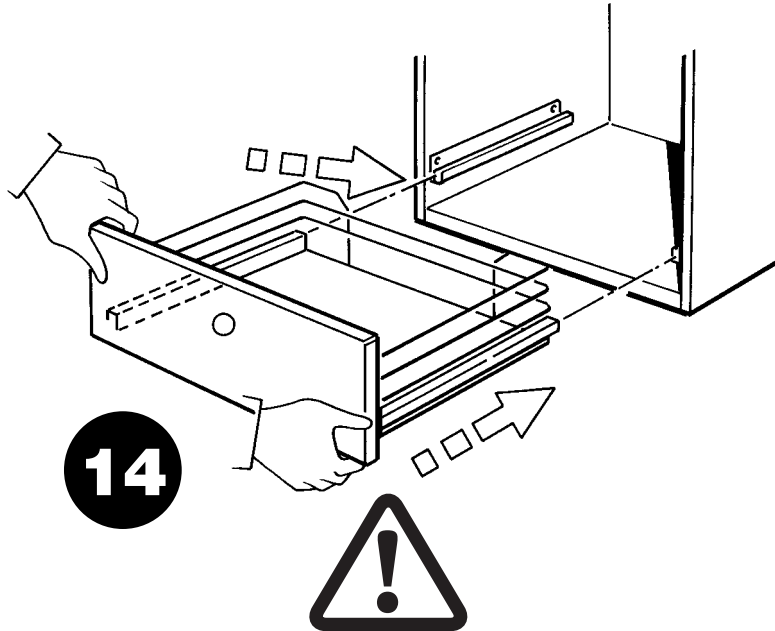
INSTALL RECTANGULAR COVER OVER ALLUMINIUM SLIDE COVER

FRONT DOOR APPLIED TO PULL-OUT BASKET





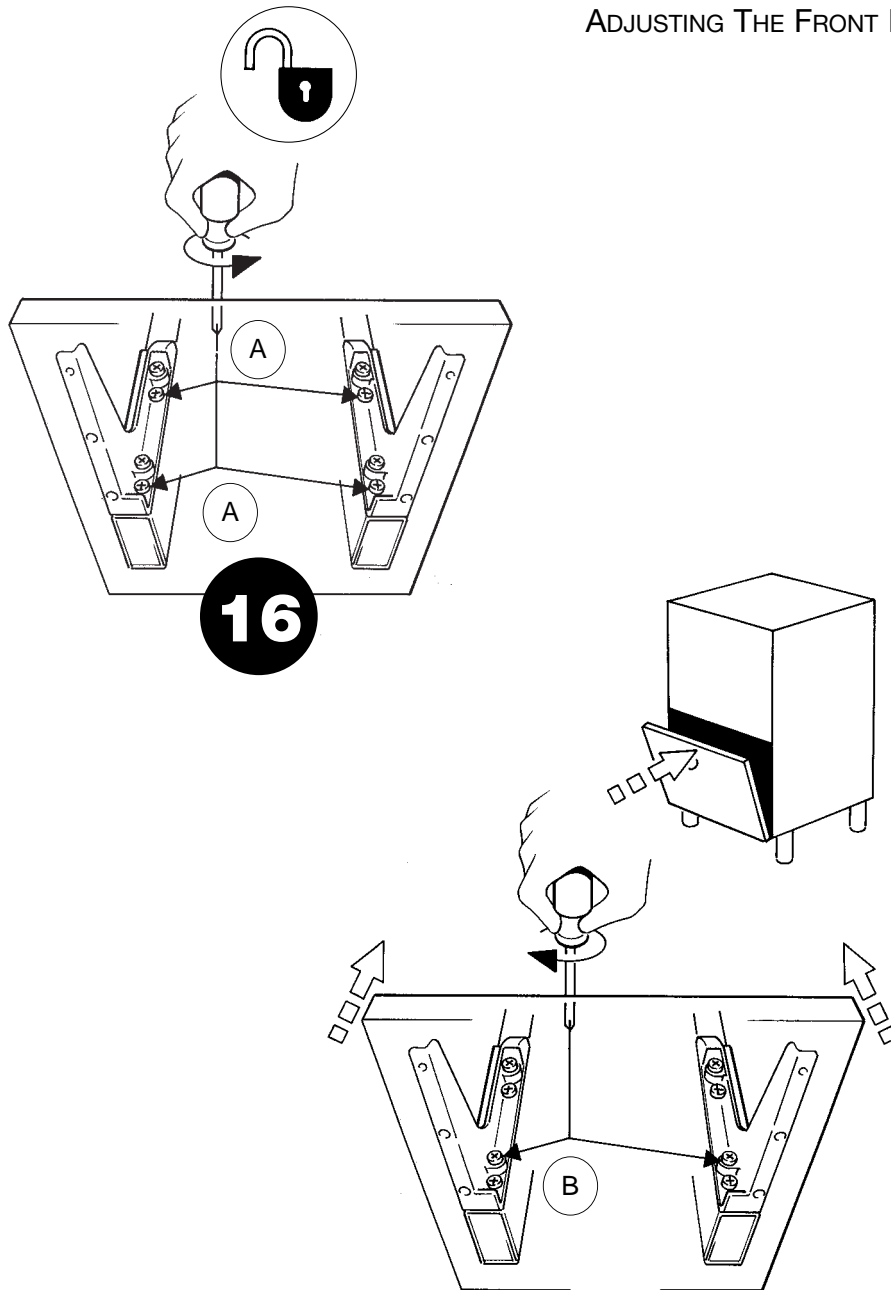
ATTACH BASKET WITH BRACKETS TO CABINET DOOR. BE SURE UNIT IS CENTERED SIDE TO SIDE AND AT THE PROPER HEIGHT TO ALLOW PROPER OVERHANG OF DOOR AT TOP AND BOTTOM.



WITH SLIDES IN CLOSED POSITION, SET UNIT ON SLIDES AND PUSH IN AS FAR AS IT WILL GO. THIS WILL ENGAGE LOCK ON TO SLIDES.

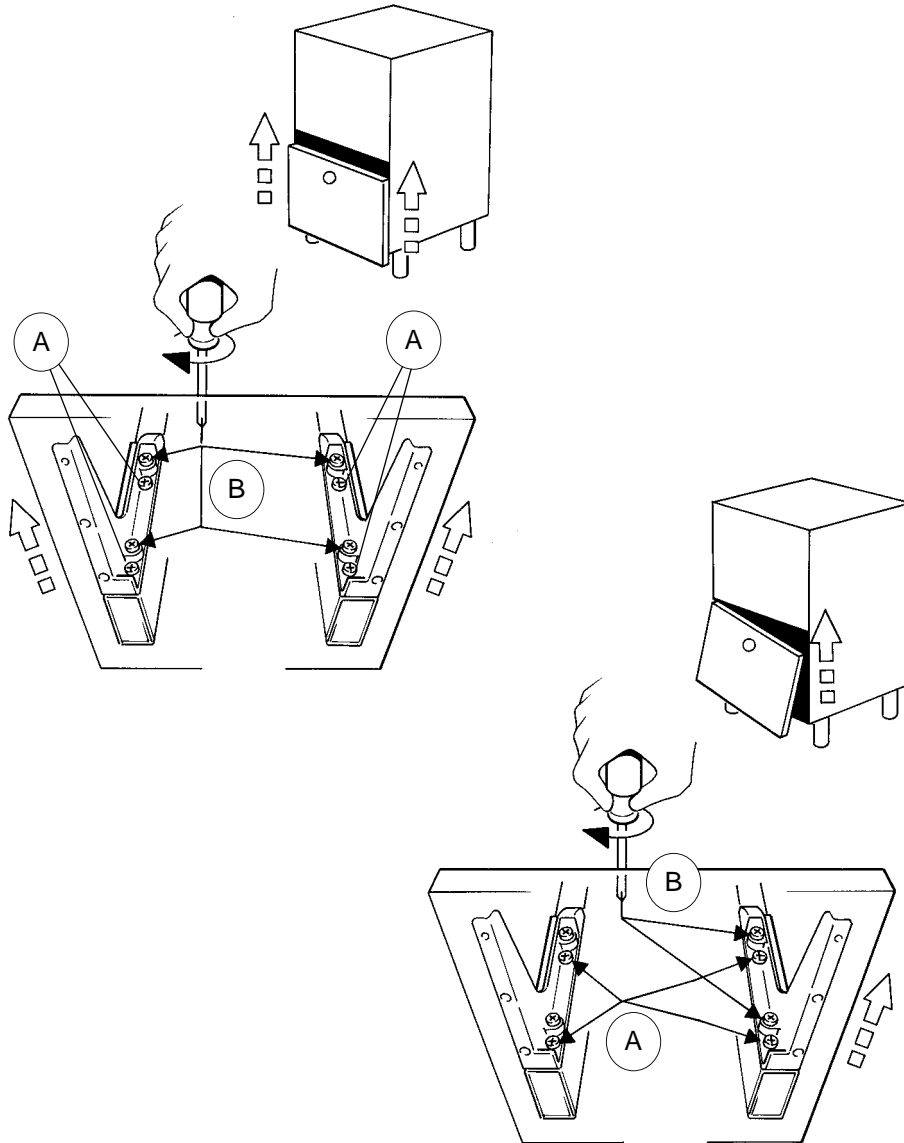
15

## ADJUSTING THE FRONT DOOR

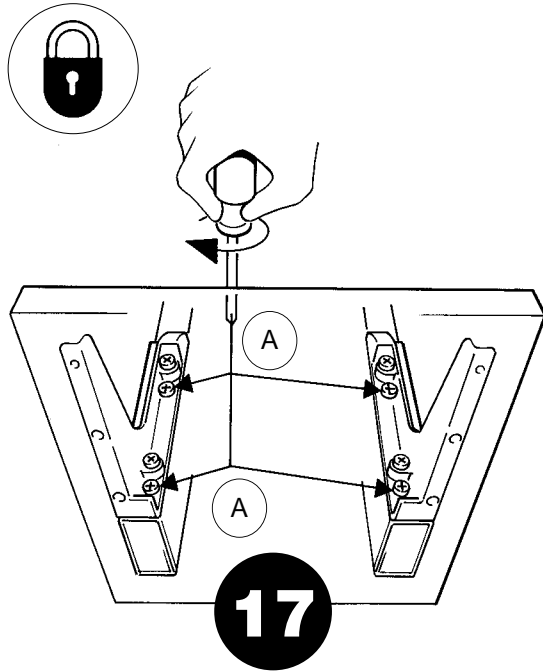


**16**

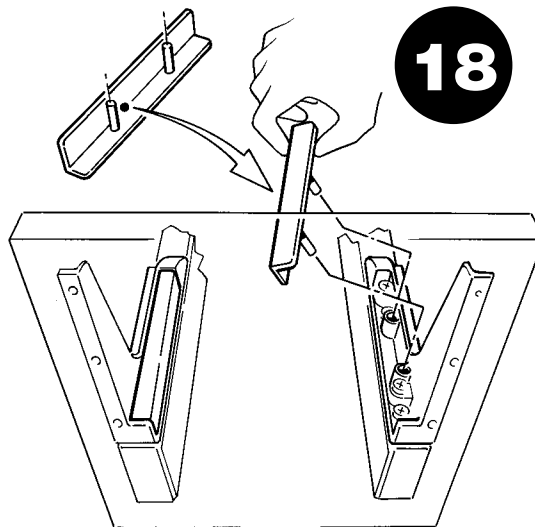
WHEREAS TO TILT TOP OF DOOR OUT,  
LOOSEN ATTACHMENT SCREWS (A), TIGHTEN  
BACK ADJUSTMENT SCREWS (B)



TO RAISE DOOR, LOOSEN ATTACHMENT SCREWS (A) AND TIGHTEN ADJUSTMENT SCREWS (B). TO LEVEL DOOR, RAISE LOW SIDE ONLY UNTIL DOOR IS LEVEL.

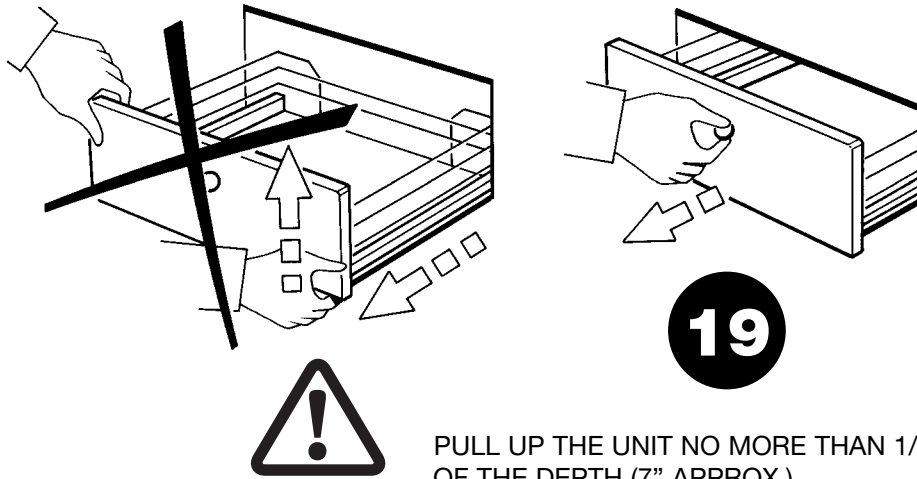


RE-TIGHTEN  
ATTACHMENT SCREWS (A).

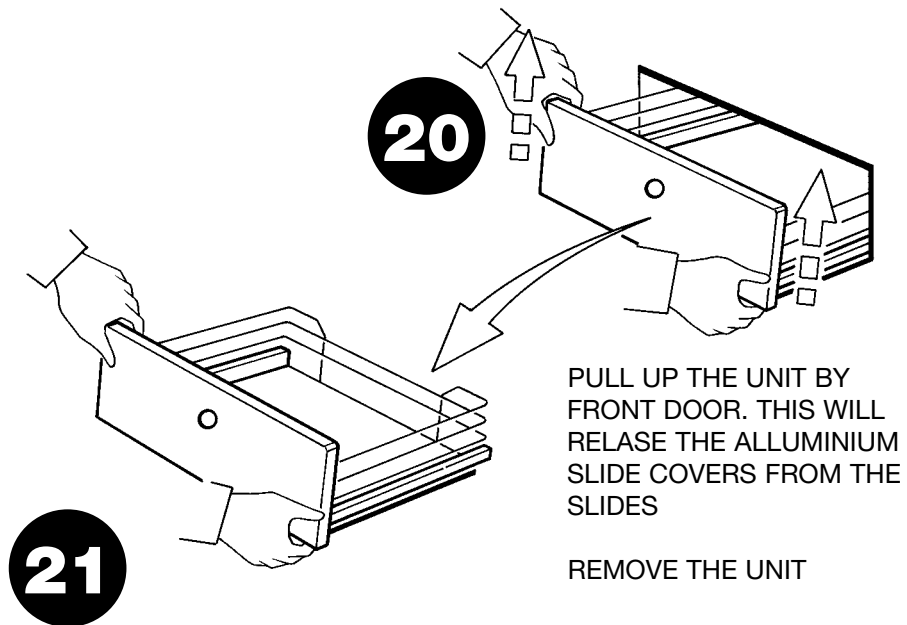


INSTALL SNAP ON COVER OVER ATTA-  
CHMENT AND ADJUSTMENT SCREWS.

## REMOVING THE UNIT



PULL UP THE UNIT NO MORE THAN 1/3 OF THE DEPTH (7" APPROX.)







If you have any questions or would like additional information on the rest of our products, please contact our Customer Service Specialists between 8 Am and 5Pm Eastern Time at:

**1-800-626-1126**

at

**cabinet::accessories**  
U N L I M I T E D