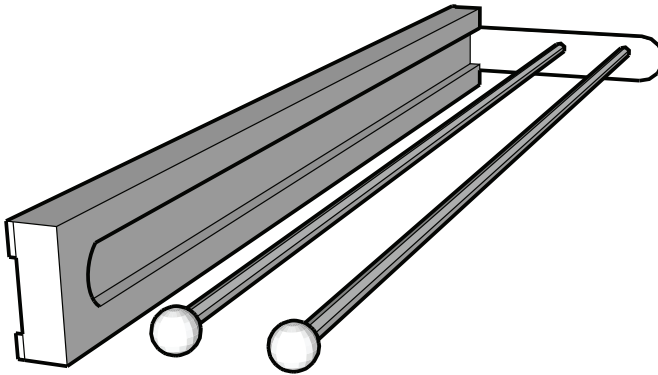




www.rev-a-shelf.com

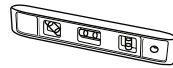
## Installation Instructions for Pull-Out Towel Bar



**PREPARATION:** Before beginning assembly, installation or operation of the product make sure all parts are present.

Estimated Assembly Time: 5 minutes

Tools Required for Assembly



**CARE AND MAINTENANCE:** Clean with damp cloth and wipe parts dry

### STANDARD INSTALLATION:

1. Determine inside wall of cabinet for installation and also determine a convenient height for your installation.
2. Now position towel holder with front of slide near front opening of cabinet (for best extension). Use a level and mark (4) hole locations through towel holder slide.
3. Hold slide over marked hole locations and install towel holder with four Phillips head screws provided in hardware bag.