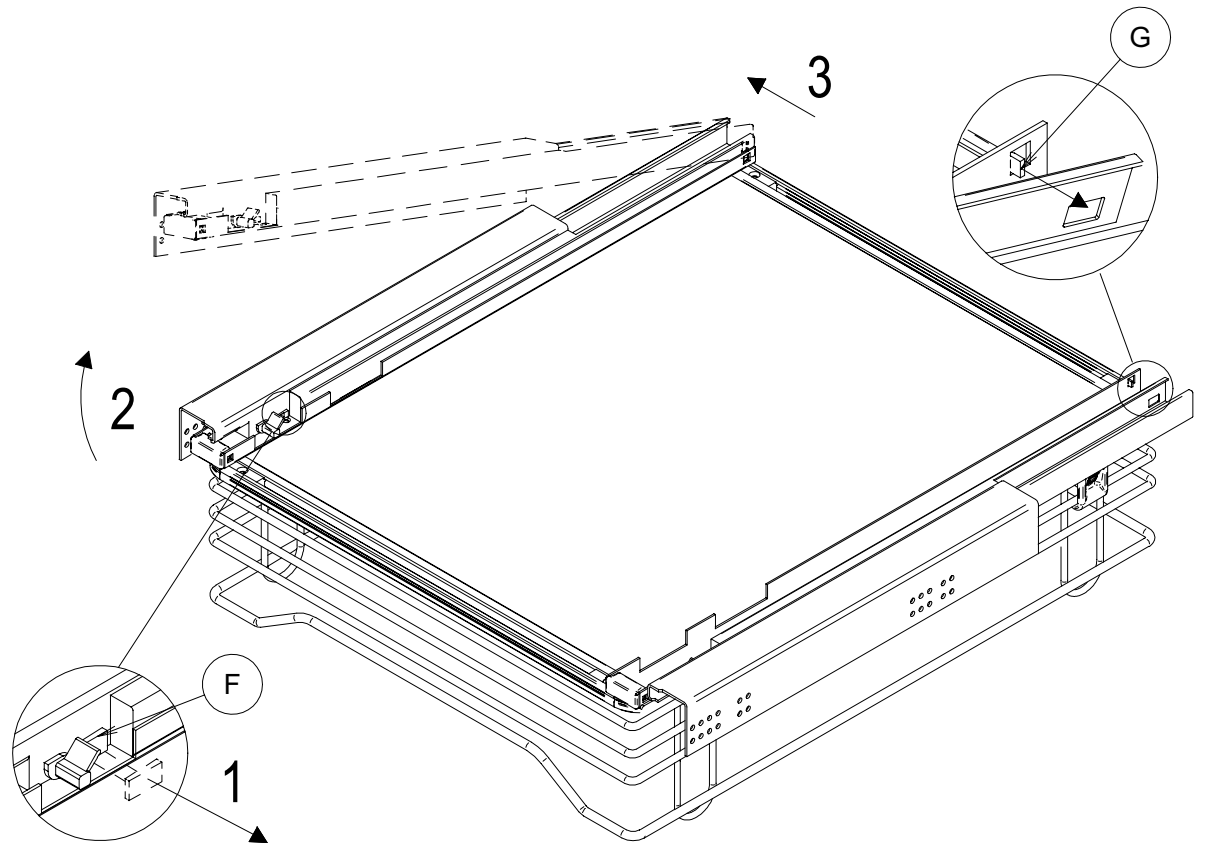




Call 1-800-667-8721 anywhere in the US and Canada - www.cabinetsource.com

cabinet :: accessories
U N L I M I T E D

- Place the drawer upside down on a flat surface
- 1- Release the fastener "F" by pulling it inwards by approx. 10 mm
 - 2- Lift the guide upwards
 - 3- Move it outwards to free clip "G".

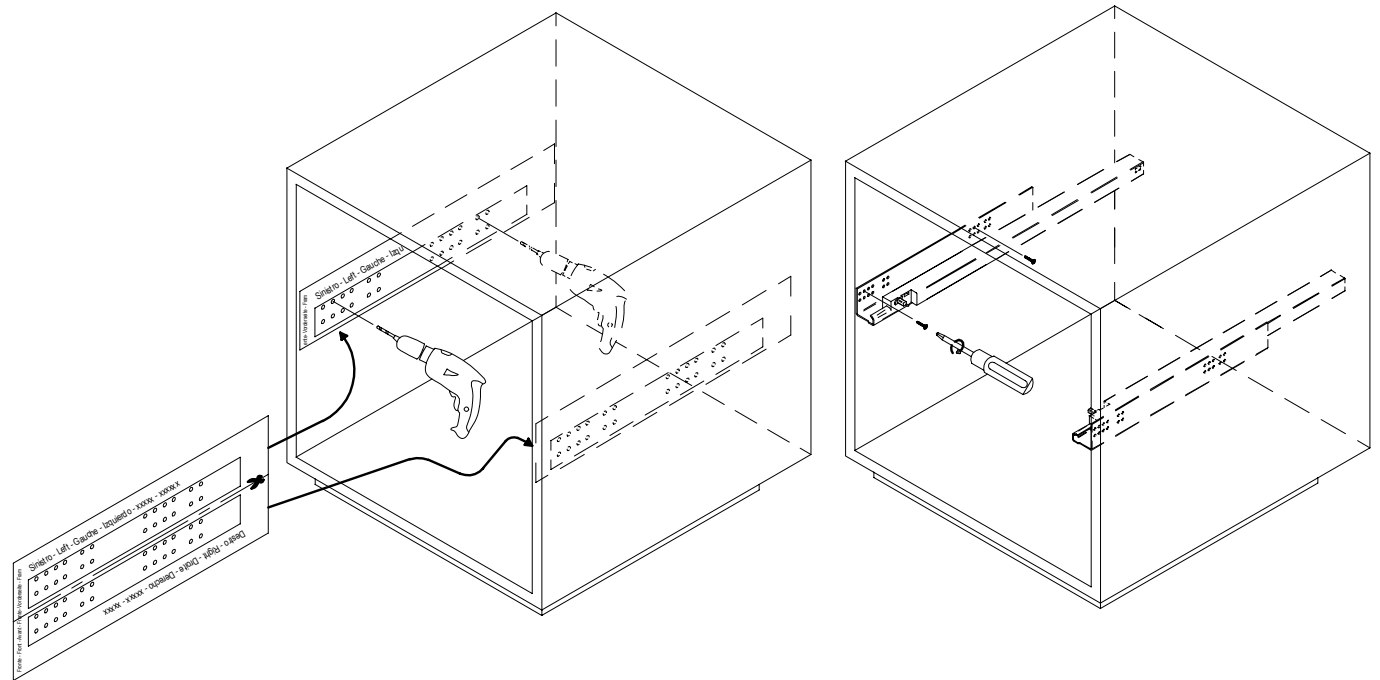




Call 1-800-667-8721 anywhere in the US and Canada - www.cabinetsource.com

cabinet :: accessories
U N L I M I T E D

**-1 Cut the drill template to obtain the RH and LH parts -2
Position them inside the cabinet in the desired position - 3
Drill the holes as indicated - 4 Mount the guides previously
removed from the basket to the inside of the unit.**

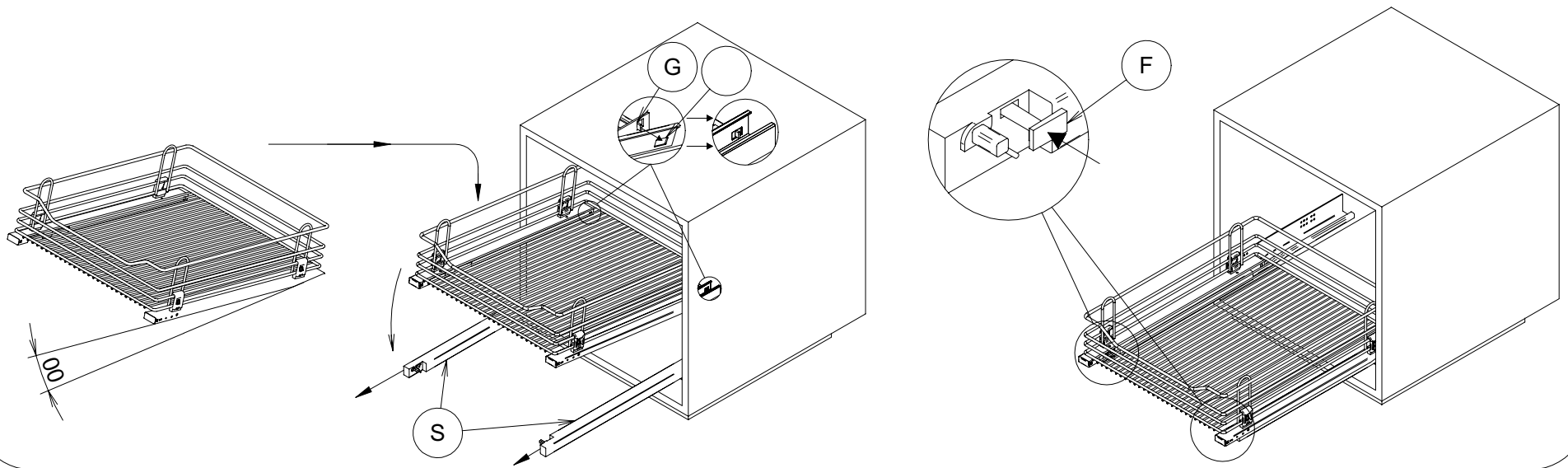




Call 1-800-667-8721 anywhere in the US and Canada - www.cabinetsource.com

cabinet :: accessories
UNLIMITED

- 1 Pull out guides S completely from the cabinet
- 2 Tilt the basket and position it on the guides, making sure that the clip G fits into the slot H on the guide
- 3 Now lower the basket until it sits on the guides
- 4 Lock the basket by inserting the 2 fasteners F to the end.

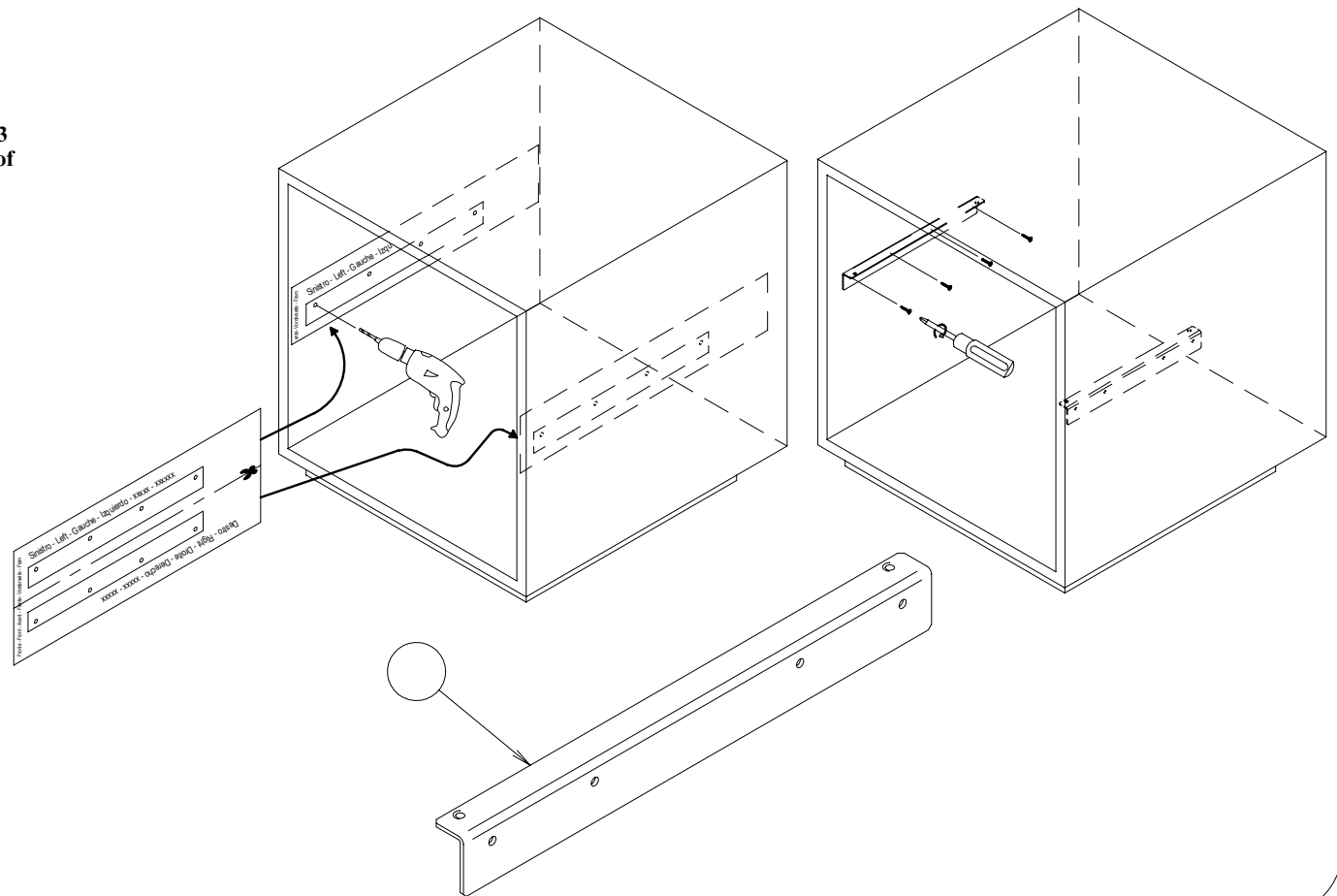




Call 1-800-667-8721 anywhere in the US and Canada - www.cabinetsource.com

cabinet :: accessories
U N L I M I T E D

- 1 Cut the drill template to obtain the rh and lh parts - 2
- Position them inside the cabinet in the desired position - 3
- Drill the holes as indicated - 4 Mount the fixed part DM of the spacer inside the unit.





Call 1-800-667-8721 anywhere in the US and Canada - www.cabinetsource.com

cabinet :: accessories
U N L I M I T E D

1 Fasten the fixed spacers "DG" to the guides by means of the screws "V".

