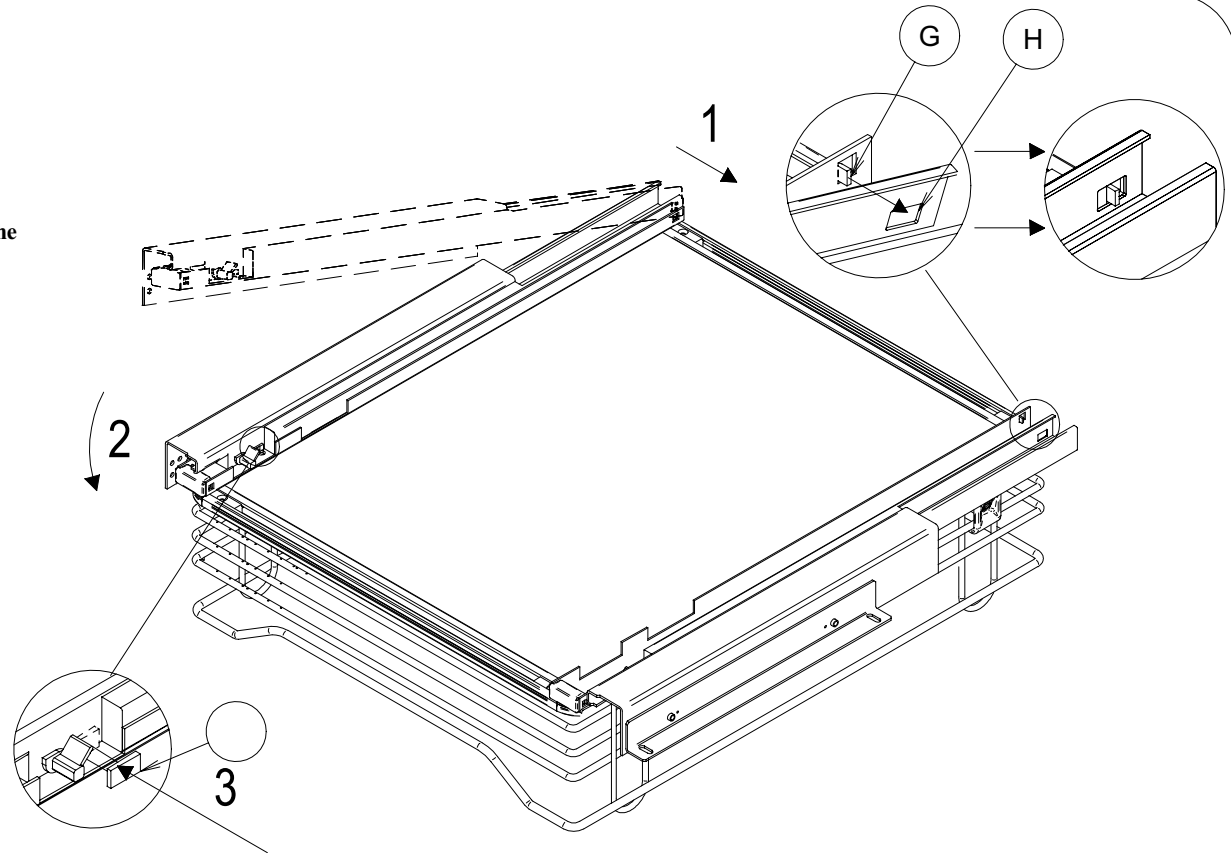




Call 1-800-667-8721 anywhere in the US and Canada - [www.cabinetsource.com](http://www.cabinetsource.com)

**cabinet :: accessories**  
U N L I M I T E D

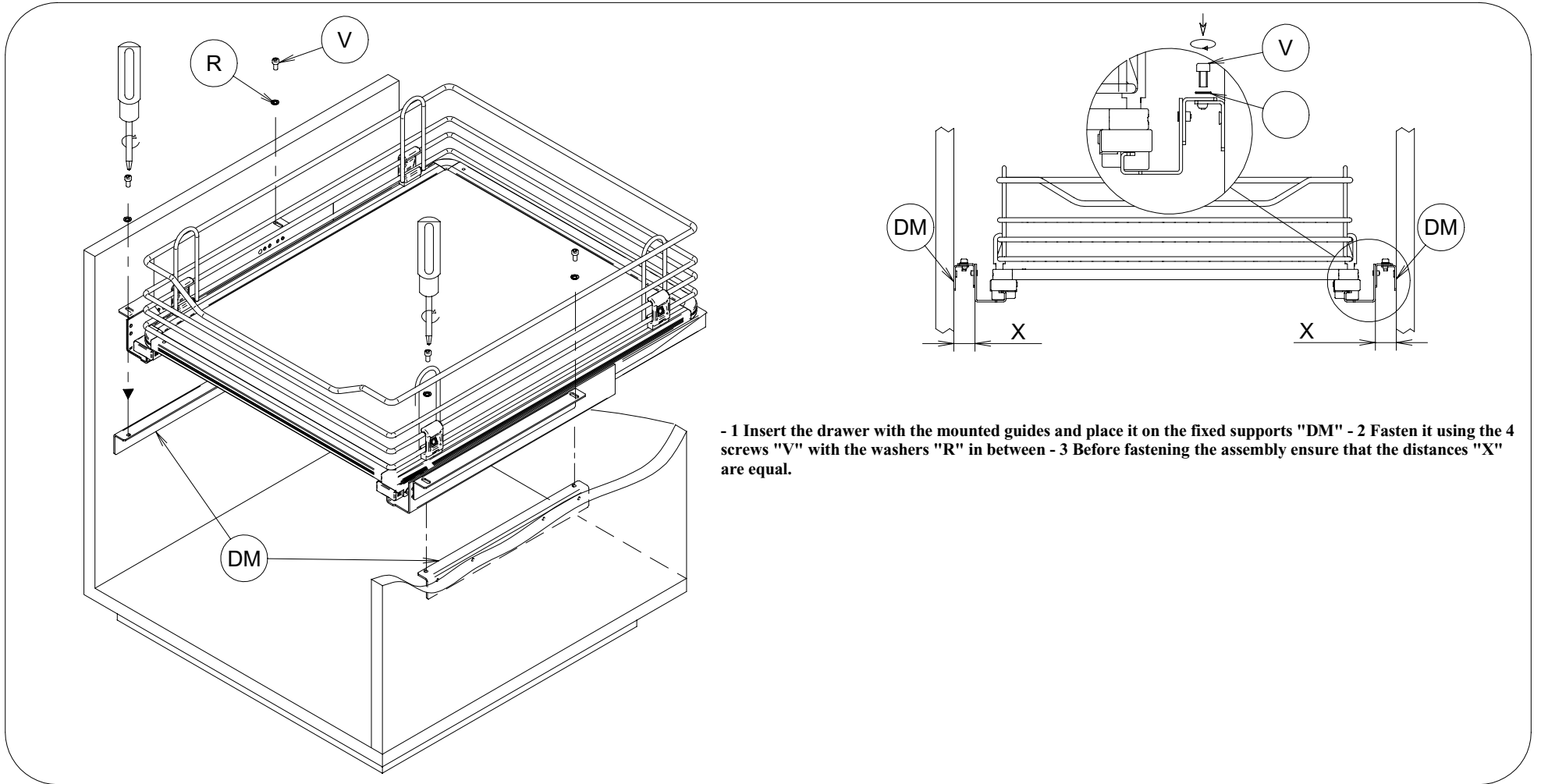
-Place the basket upside down on a flat surface  
1 Insert the clip "G" of the basket in the slot "H" on the guide while holding the front part of the guide in a raised position - 2 Lower the guide into its seat - 3 Fasten the guide by inserting the fastener "F" to the end.





Call 1-800-667-8721 anywhere in the US and Canada - [www.cabinetsource.com](http://www.cabinetsource.com)

**cabinet :: accessories**  
U N L I M I T E D



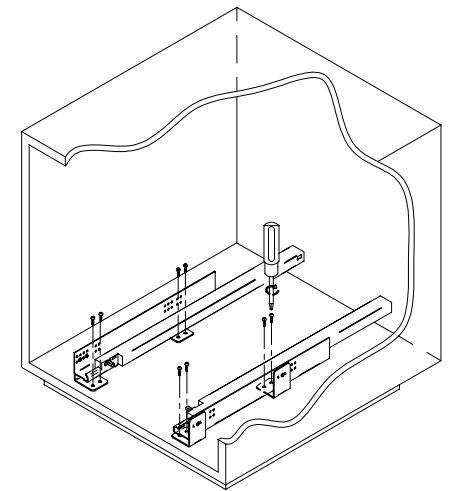
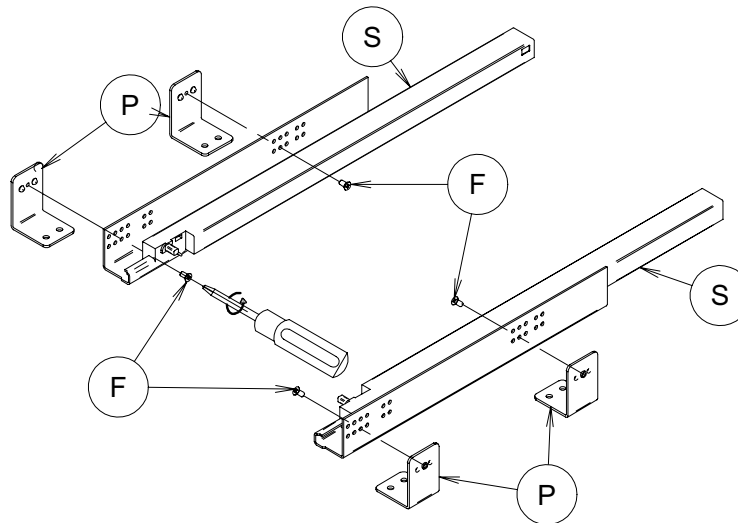
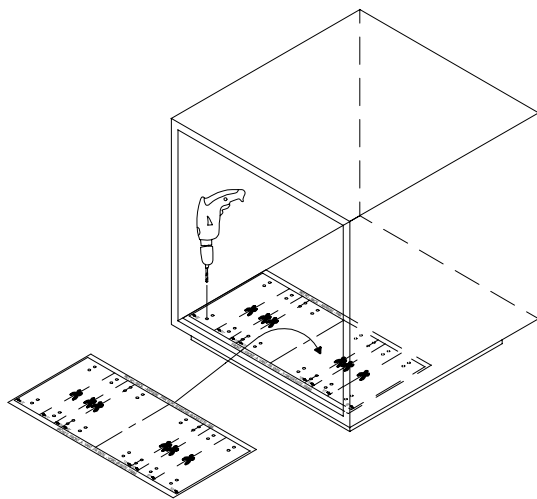
- 1 Insert the drawer with the mounted guides and place it on the fixed supports "DM" - 2 Fasten it using the 4 screws "V" with the washers "R" in between - 3 Before fastening the assembly ensure that the distances "X" are equal.



Call 1-800-667-8721 anywhere in the US and Canada - [www.cabinetsource.com](http://www.cabinetsource.com)

**cabinet :: accessories**  
U N L I M I T E D

- 1 Cut the drill templates according to the size of the unit -2 Position it inside the cabinet -3 Drill the holes as indicated - 4 Mount the four feet "P" on the guides (already removed) and fasten them using the four screws "F" - 5 Mount the guides inside the unit using the holes made in point 3.

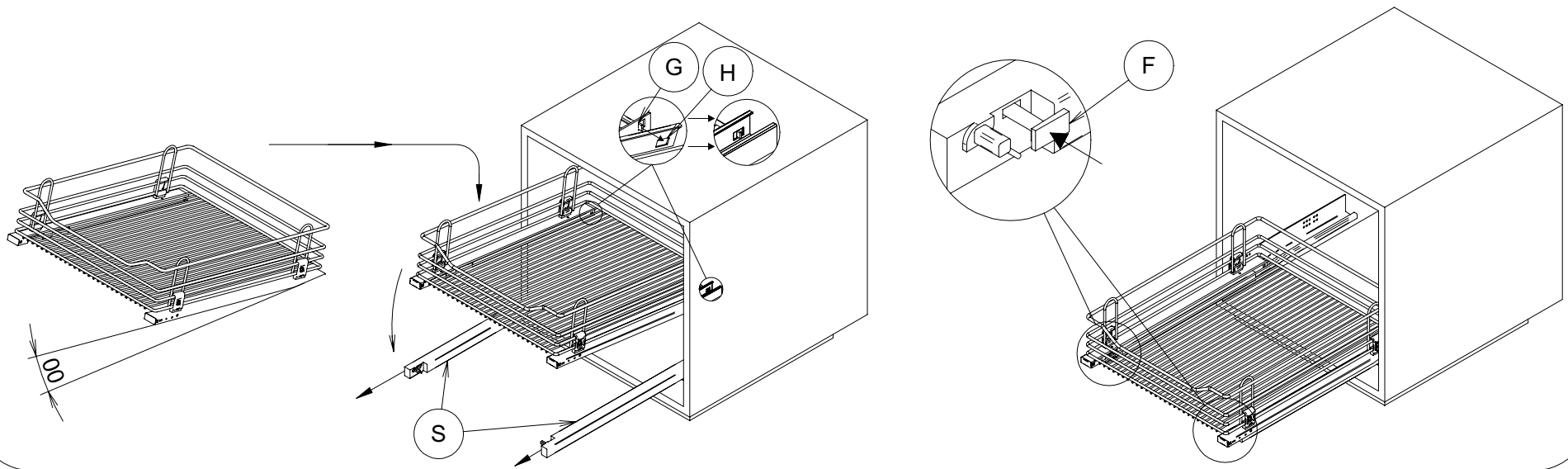




Call 1-800-667-8721 anywhere in the US and Canada - [www.cabinetsource.com](http://www.cabinetsource.com)

**cabinet :: accessories**  
U N L I M I T E D

**-1 Pull out the guides "S" completely from the cabinet -2 Tilt the basket and position it on the guides making sure that the clip "G" fits into the slot "H" on the guide - 3 Now lower the basket until it sits on the guides - 4 Lock it by inserting the 2 fasteners "F" to the end.**



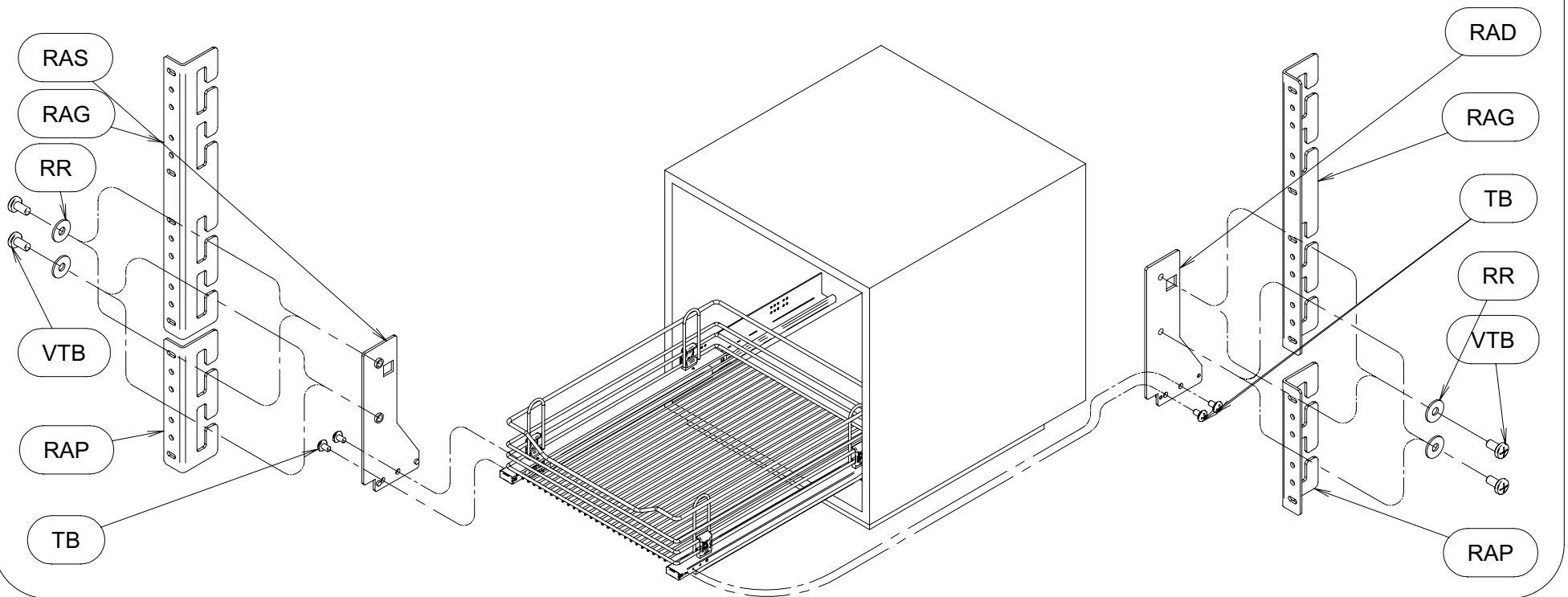
kv at **cabinet :: accessories**  
U N L I M I T E D



Call 1-800-667-8721 anywhere in the US and Canada - [www.cabinetsource.com](http://www.cabinetsource.com)

**cabinet :: accessories**  
U N L I M I T E D

- 1 Mount the door brackets "RAD" and "RAS" on the guides "S" using the screws "TB" - 2 Mount the most suitable bracket, either the large one "RAG" or the small one "RAP", by means of the screws "VTB" and using the washer "RR".

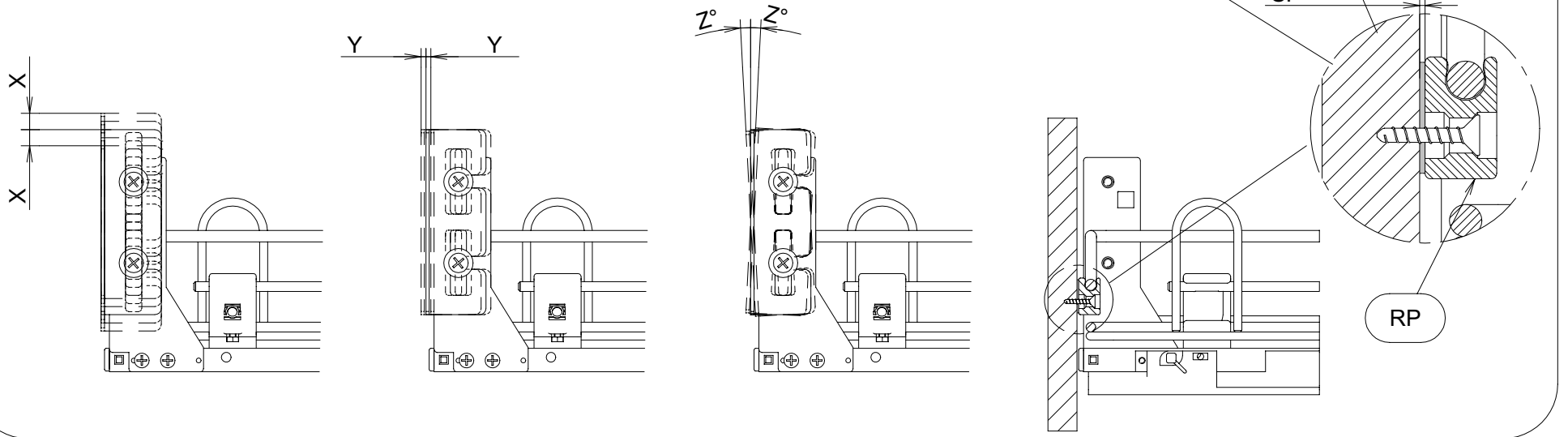




Call 1-800-667-8721 anywhere in the US and Canada - [www.cabinetsource.com](http://www.cabinetsource.com)

**cabinet :: accessories**  
U N L I M I T E D

- 1 The door brackets allow you to adjust the height "XX", the depth "YY" and the inclination "ZZ" of the door.
- 2 Once the door has been adjusted fasten it securely by means of the fasteners "RP", depending on door style additional blocking "SP" may be necessary .



kv at **cabinet :: accessories**  
U N L I M I T E D