

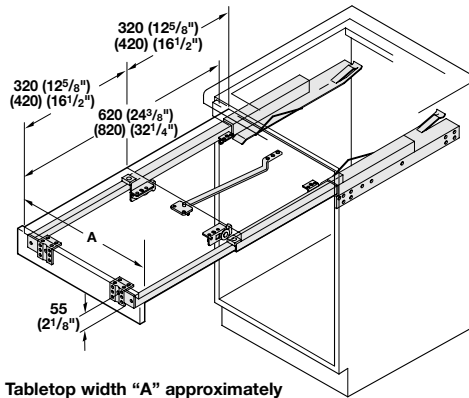
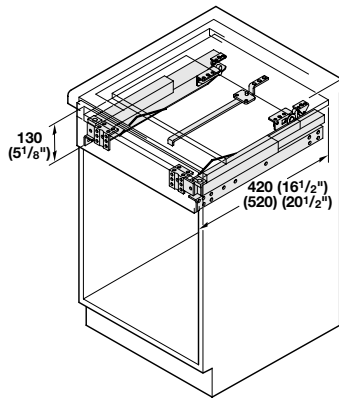
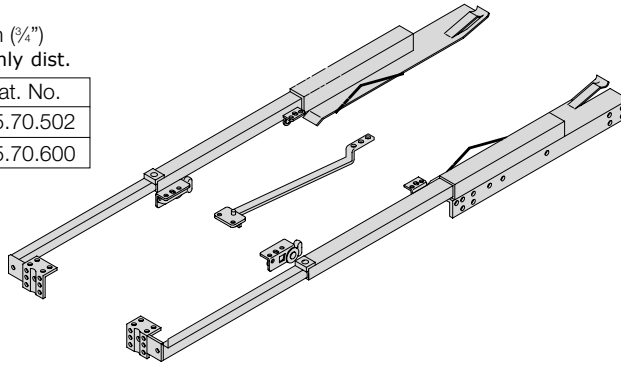
Pull-out Table Systems

Pull-out Table System, cantilever,
for 2-part tabletop, max. thicknesses 18 mm (¾")
Load bearing capacity: 30 kg. (60 lbs) evenly dist.

Cabinet depth	Cat. No.
500 mm (20")	505.70.502
600 mm (24")	505.70.600

Packing: 1 set

Dimensions in parentheses are for
600 mm (24") installed depth.

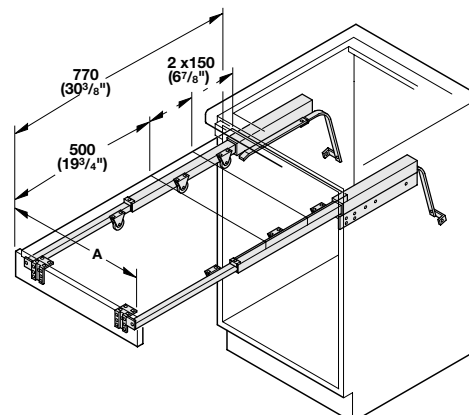
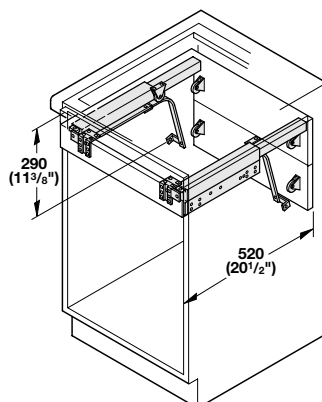
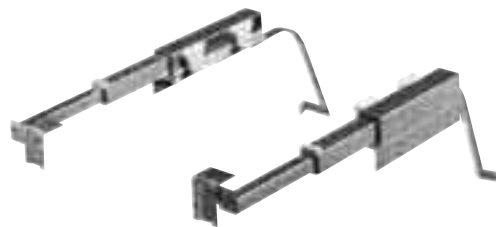


Tabletop width "A" approximately
2 mm less than inside cabinet width

Pull-out Table System, cantilever,
with 3-part tabletop (hinges for tabletop not supplied).
Load bearing capacity: 80 kg. (176 lbs.) evenly dist.

Cabinet depth	Cat. No.
600 mm (24")	505.60.604

Packing: 1 set



Dimensions in mm
Inches are approximate

- The inner tabletop sections fold downward on tracks when the table is closed, occupying a minimum of space against the rear panel of the cabinet.

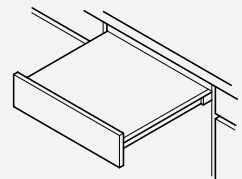


Bio-Fix™ products from Häfele.

Kitchen Accessory Systems

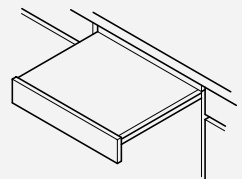
5

Detailed mounting instructions are included with every set.



Pull-out table systems, with fixed front panel.

The panel either projects above the level of the table...



...or is mounted flush with the tabletop, in which case a shallow trim is required above the pull-out front.

Dimensional data not binding.
We reserve the right to alter specifications without notice.