

## Foldaway Systems

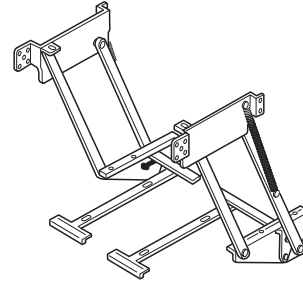


- Latch locks in down as well as up position.
- Prevents shelf from banging against the lower cabinet door from the inside when closed.
- Mounting instructions are provided with each set.

### Lift-Up Fitting

with locking mechanism  
Cabinet widths of 300 mm (11<sup>7</sup>/<sub>8</sub>"") to 600 mm (23<sup>5</sup>/<sub>8</sub>"")  
and shelf depth of 420 mm (16<sup>1</sup>/<sub>2</sub>"")  
Load bearing capacity: 12 kg (26 lbs)  
Set consists of:

- 2 mechanisms (left and right)
- 2 locking devices
- 2 tension springs
- 4 plastic distance washers and 4 plastic appliance spacers

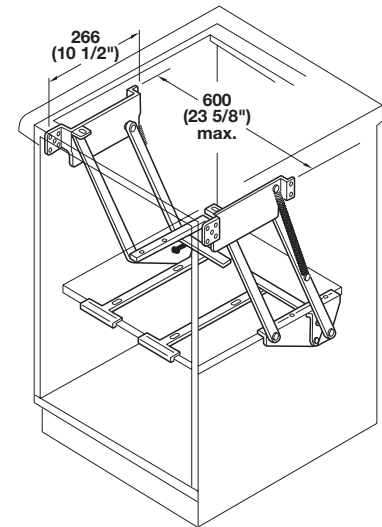
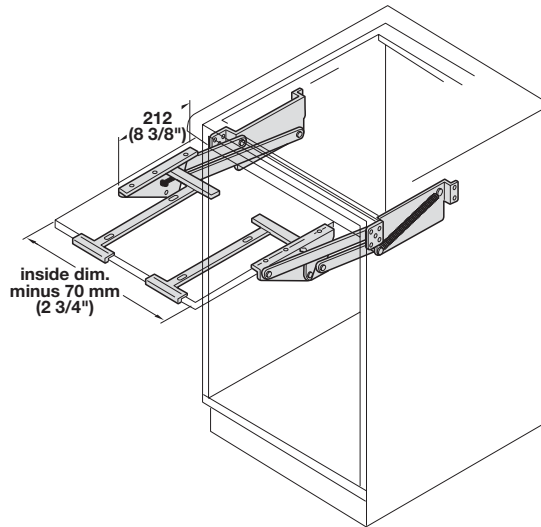
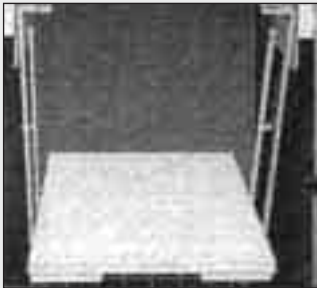


Finish: steel, plastic-coated, white

Minimum Inside Cabinet		For Storage Of		Cat. No.
Height-including swing arc	Depth	Max. Height Up To	Max. Depth Up To	
470 mm (18 <sup>1</sup> / <sub>2</sub> "")	465 mm (17 <sup>1</sup> / <sub>4</sub> "")	305 mm (12")	292 mm (11 <sup>1</sup> / <sub>2</sub> "")	504.24.710
		202 mm (8")	406 mm (16")	
570 mm (22 <sup>1</sup> / <sub>2</sub> "")	565 mm (19 <sup>1</sup> / <sub>4</sub> "")	394 mm (15 <sup>1</sup> / <sub>2</sub> "")	336 mm (13 <sup>3</sup> / <sub>4</sub> "")	504.24.701
		342 mm (13 <sup>1</sup> / <sub>2</sub> "")	406 mm (16")	

Packing: 1 set

## 5 Kitchen Accessory Systems

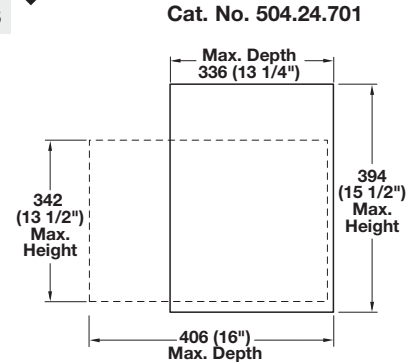
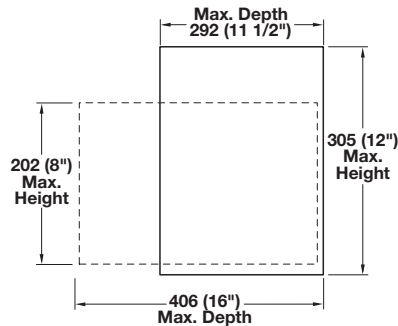


### Dimensions for storage of items:

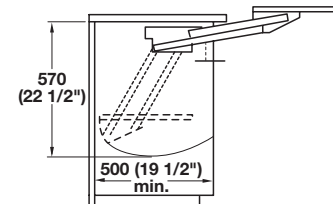
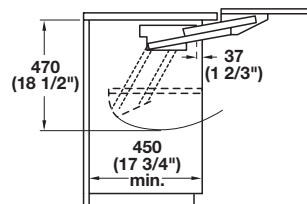
Cat. No. 504.24.710

PLAN VIEWS

Cat. No. 504.24.701



### Minimum inside dimensions including swing arc:



Dimensions in mm  
Inches are approximate

Dimensional data not binding.  
We reserve the right to alter specifications without notice.