

FINGER LITE™

STRAIGHT APPLIANCE GARAGE

INSTALLATION INSTRUCTIONS

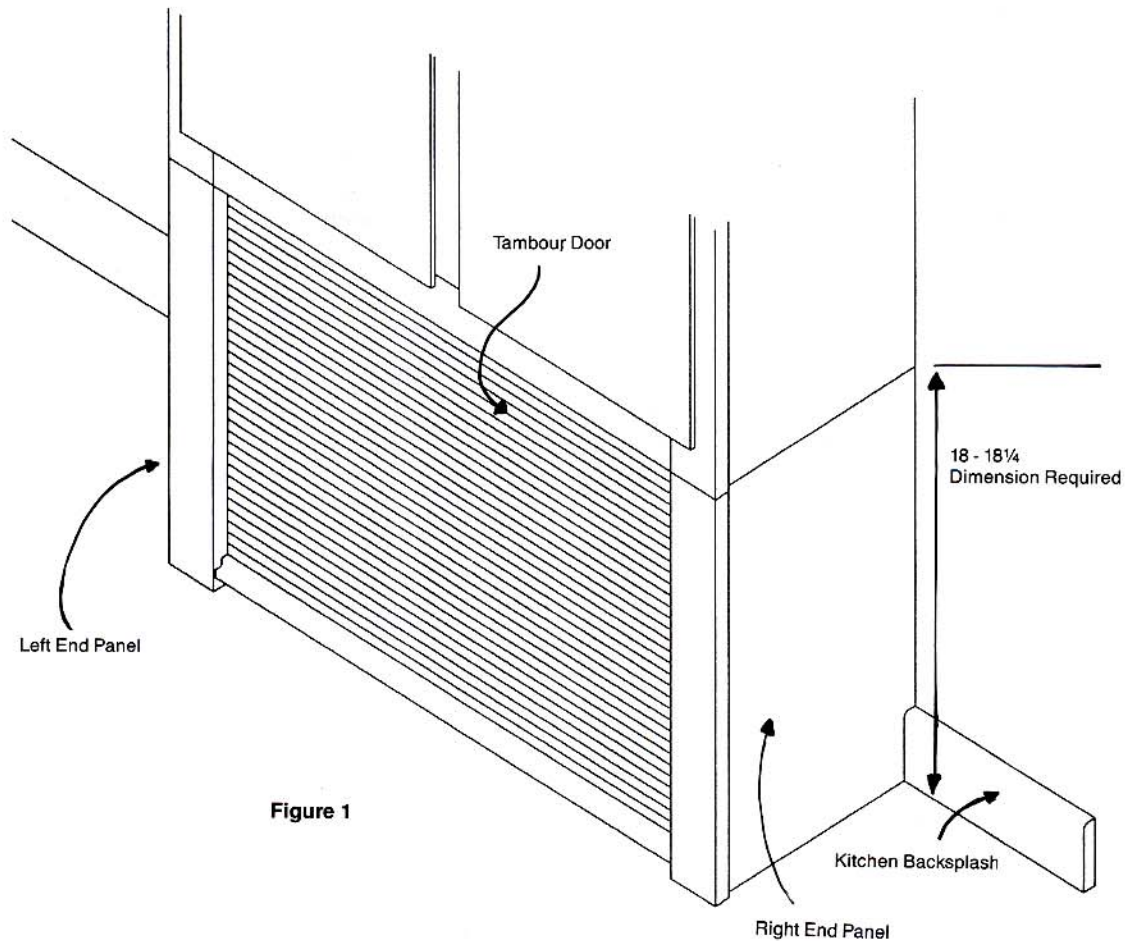


Figure 1

IMPORTANT NOTES

- Always read instructions completely and carefully before beginning assembly!
- Remove and check contents for concealed damage or missing parts. Keep original carton and packing material, which are required for any authorized adjustment by your dealer.

PARTS LIST

1 ea. Tambour Door	1 ea. Left End Panel
1 ea. Right Hand Tambour Track	1 ea. Fastener Package Containing:
1 ea. Left Hand Tambour Track	6 ea. #8 x 1/2" Phillips Head Screws
1 ea. Spacer Bar	8 ea. #8 x 3/4" Phillips Head Screws
1 ea. Right End Panel	4 ea. #8 x 1 1/4" Phillips Head Screws
2 ea. Appliance Garage Rail	1 ea. #4 x 3/8" Phillips Head Screw
	1 ea. Spring Assembly

Step #1—Measure to be sure that the existing wall corner cabinet is no less than 18" nor more than 18 1/4" above the countertop. Otherwise, extensive refitting of existing cabinetry would be necessary to attempt this installation.

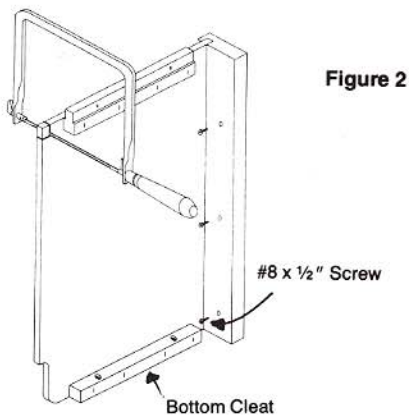


Figure 2

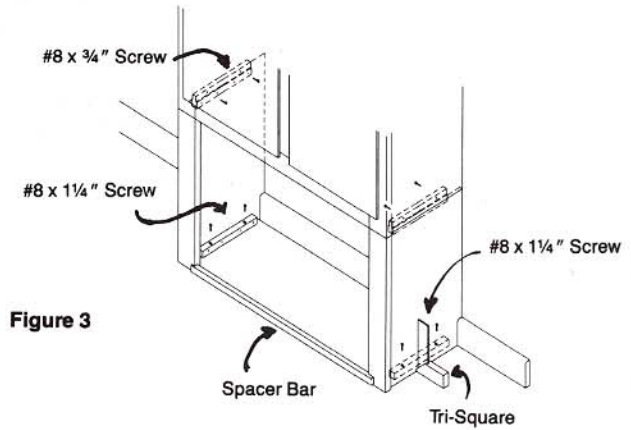


Figure 3

Step #2—If your countertop has a backsplash, the bottom rear corner of both end panels must be notched to fit. Measure and transfer the backsplash dimensions to each end panel. The bottom of the panel will have the square cleat attached. Cut the notches with a fine-toothed coping saw. Then notch the top of each panel to fit the bottom edge of the existing cabinet. (See Figure 2)

Step #3—Start three (3) #8 x 1/2" screws into predrilled holes (shown at right edge stile in Figure 2) in right end panel. DO NOT start screws in left end panel.

Step #4—Position right end panel square with countertop. Countertop will need to be marked and predrilled to accept the #8 x 1 1/4" screws through bottom cleat. (See Figures 2 and 3)

Step #5—Fasten right end panel at it's top through the predrilled holes with two (2) #8 x 3/4" screws. Then secure bottom cleat to countertop with two (2) #8 x 1 1/4" screws.

Step #6—Place spacer bar at appliance garage opening against right end panel. Position left end panel insuring a snug fit against both shoulders of the spacer bar. (See Figure 3) Countertop will need to be marked and predrilled to accept #8 x 1 3/4" screws through bottom cleat.

Step #7—Secure top of left end panel to cabinet underside back rail with two (2) #8 x 3/4" screws. Fasten end panel to countertop using two (2) #8 x 1 1/4" screws.

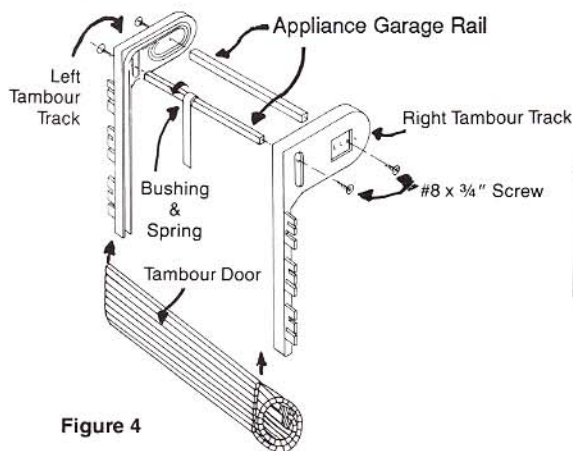


Figure 4

Step #8—Fasten the two (2) plastic tambour tracks to one appliance garage rail with two (2) #8 x 3/4" screws through holes numbered L2 and R2 in plastic tracks. Slide plastic bushing and spring on the other appliance garage rail and install rail to plastic tracks using two (2) #8 x 3/4" screws through hole numbers L5 and R5 in plastic tracks. (Note: Spring must unroll from front side of assembly. Check for proper installation before continuing). (See Figure 4)

Step #9—Insert tambour door into plastic tracks and lay face down. With door half open pull spring down to bottom of door and fasten to door with one (1) #4 x 3/8" screw predrilled hole on the back-side of door. (See Figure 5)

Step #10—Insert ends of spacer bar between plastic tracks as you inserted the door previously. With spacer in place, tilt tambour assembly into cabinet. (See Figure 6) Position right hand plastic track under heads of the three (3) screws previously started and fasten securely. (See Figure 2)

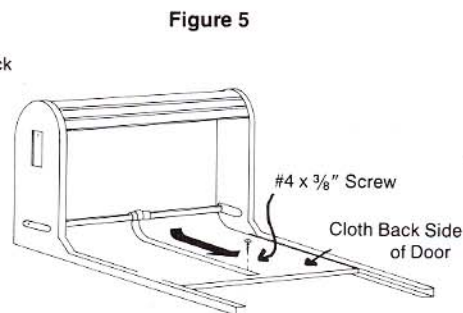


Figure 5

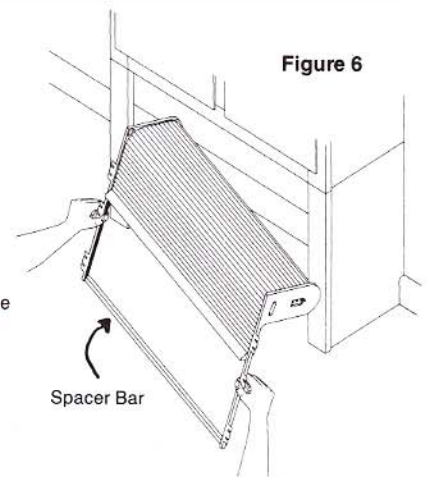


Figure 6

Step #11—Using three (3) #8 x 1/2" screws, position left hand plastic track on left end panel. With spacer bar securely in place, tighten bottom screw on right end panel. Move spacer bar to top of track. Tighten top screw on right end panel. Now move spacer bar to center of tracks and tighten center screw. Test door for ease of operation. If door should drag or does not work freely, adjustment may be needed. Do this by loosening screw on the right end panel nearest the bottom edge of the door where the binding or dragging takes place. Move up and down 2 or 3 times and retighten loosened screw. If door seems to drag, lubrication may be required. Do this by rubbing paraffin or soap in the plastic track door channels. This will help the door move more freely in the track system.