

REV·A·SHELF®



WIRE PRODUCTS AND ENGINEERING

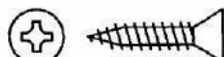
Cesto estraibile • Pull-out basket

COMPAGNUCCI®



1  (8) M5x6

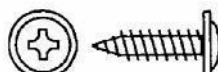
2  (4) 3.9x16

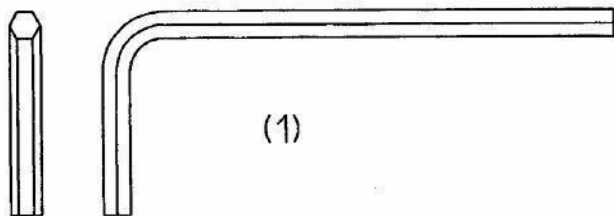
3  (4) 4x20

4  (8) 4x12

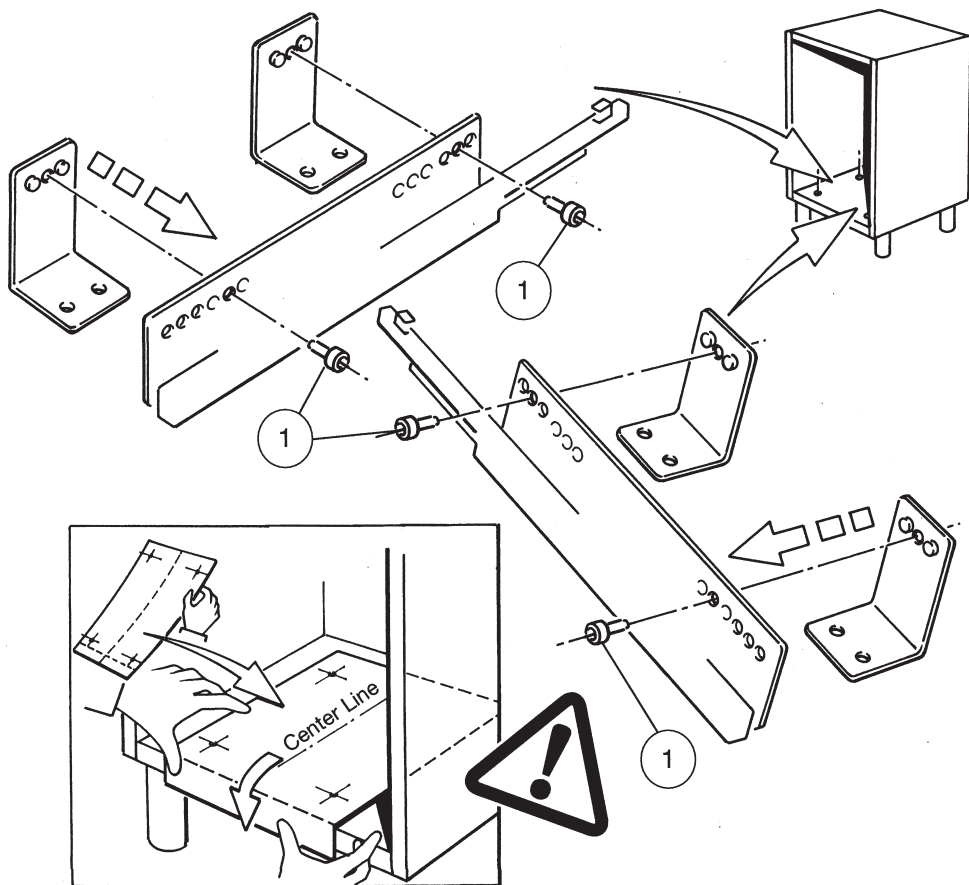
5  (4) M4x10

6  (4) M4x10

7  (8) 4x16



BOTTOM APPLICATION



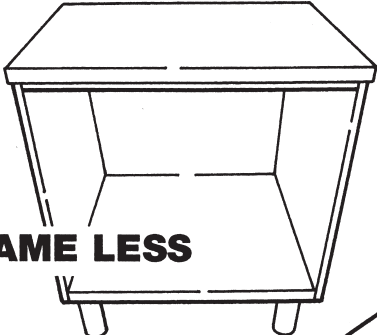
Note:

Not valid for cutlery organizer

1. Fix Brackets to slides
2. Fix slides to bottom cabinet referring to template

Next Step
GO TO PAGE 13

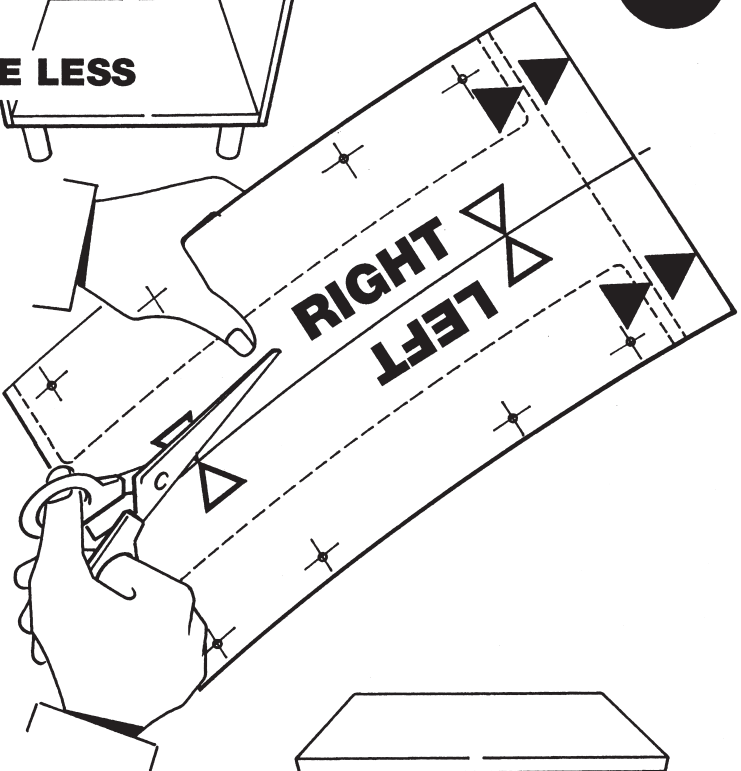
SIDE APPLICATION



FRAME LESS

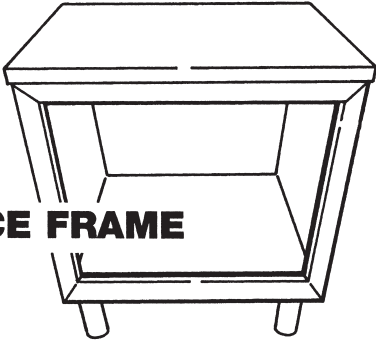
GO TO PAGE 4

1



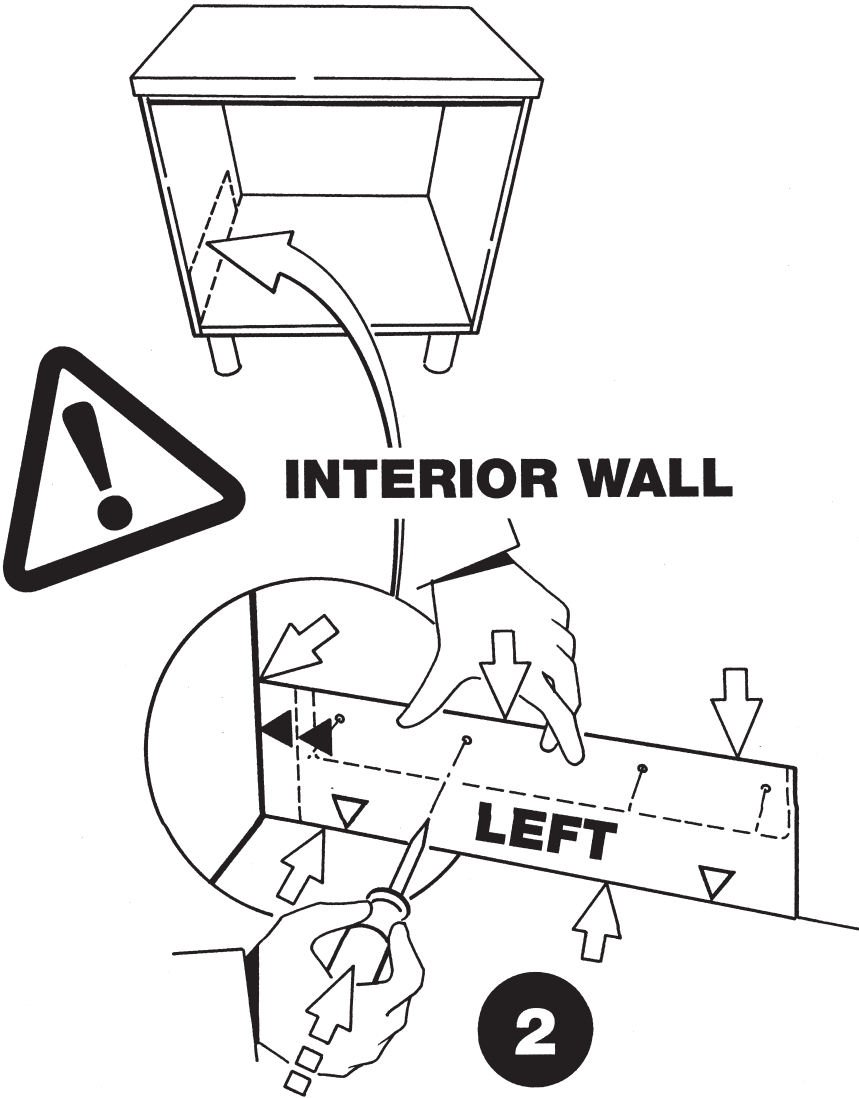
RIGHT

LEFT

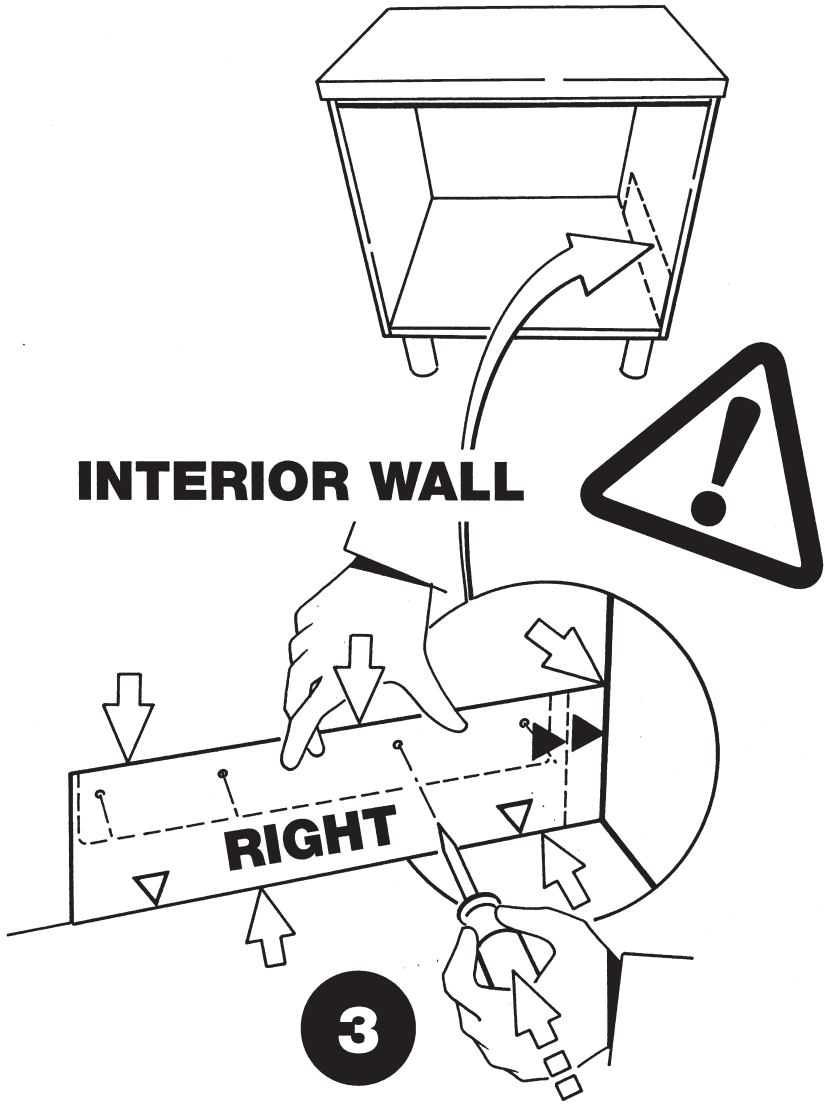


FACE FRAME

GO TO PAGE 6



DRILL PILOT HOLES IN EACH SIDE
OF CABINET AT LOCATION FOUND
BY THE TEMPLATE



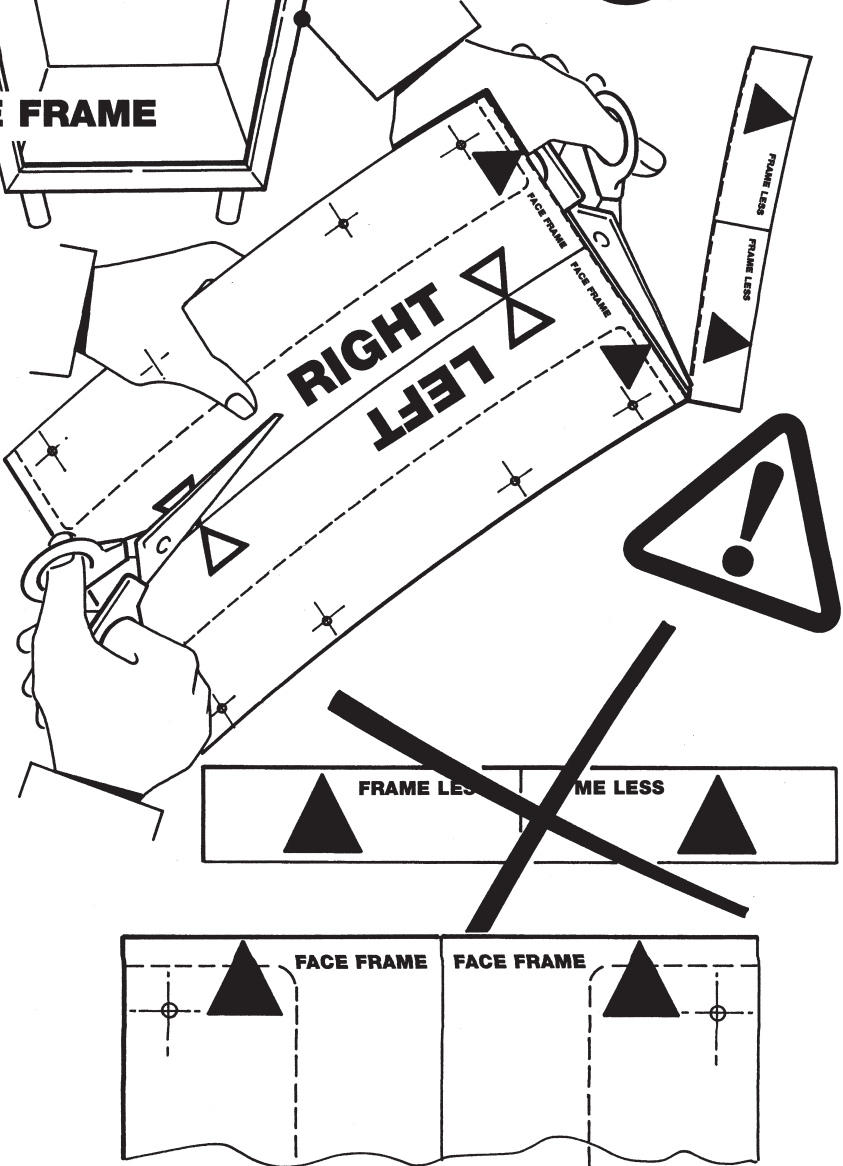
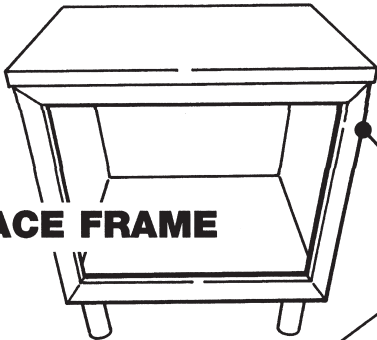
INTERIOR WALL

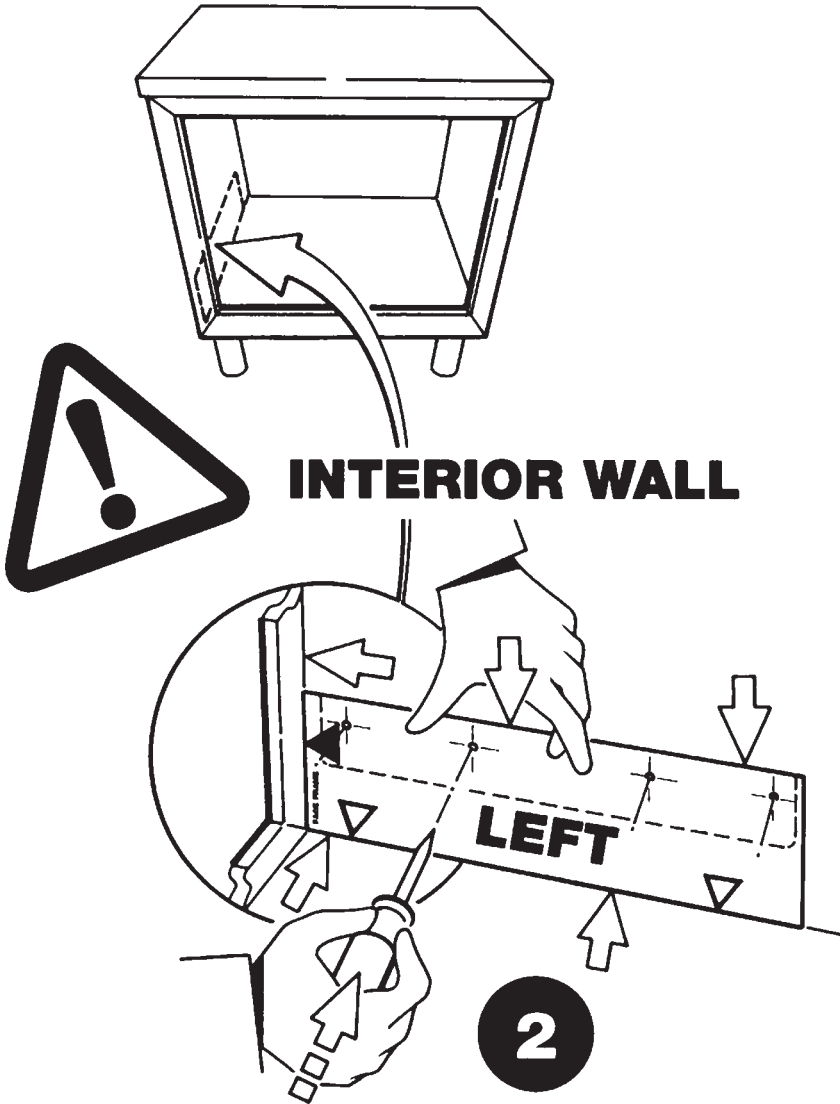
DRILL PILOT HOLES IN EACH SIDE
OF CABINET AT LOCATION FOUND
BY THE TEMPLATE

Next Step
GO TO PAGE 9

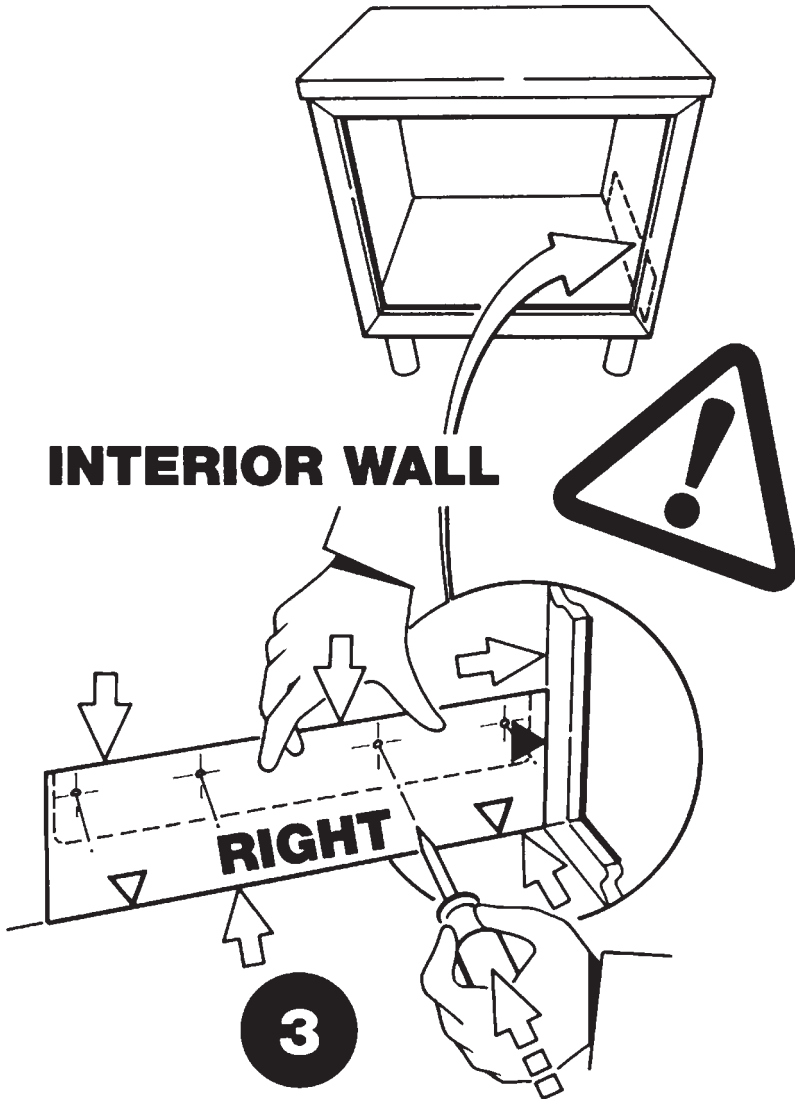
1

FACE FRAME



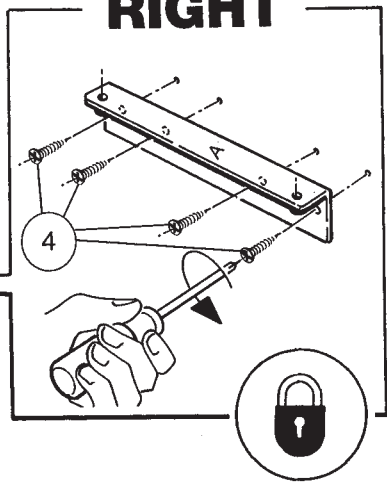
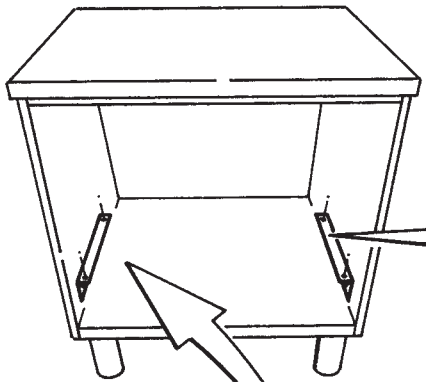


DRILL PILOT HOLES IN EACH SIDE
OF CABINET AT LOCATION FOUND
BY THE TEMPLATE

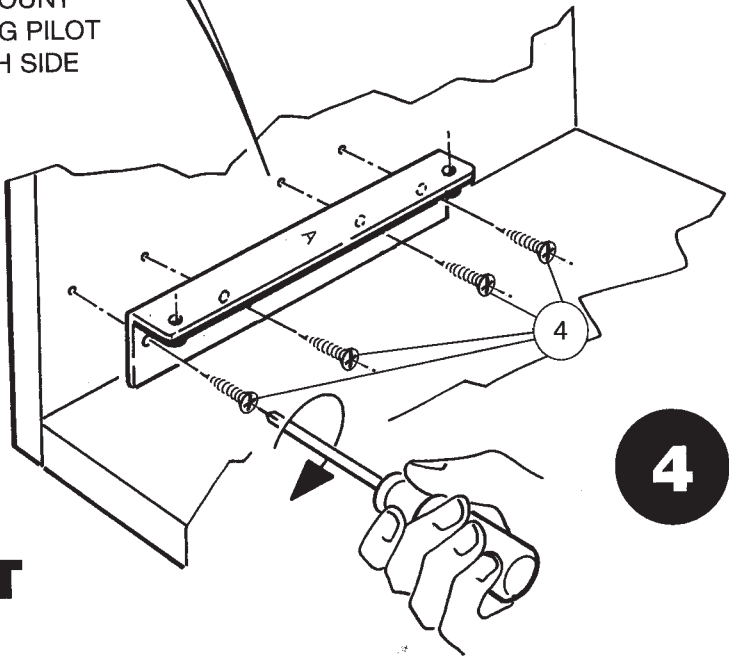


DRILL PILOT HOLES IN EACH SIDE
OF CABINET AT LOCATION FOUND
BY THE TEMPLATE

RIGHT



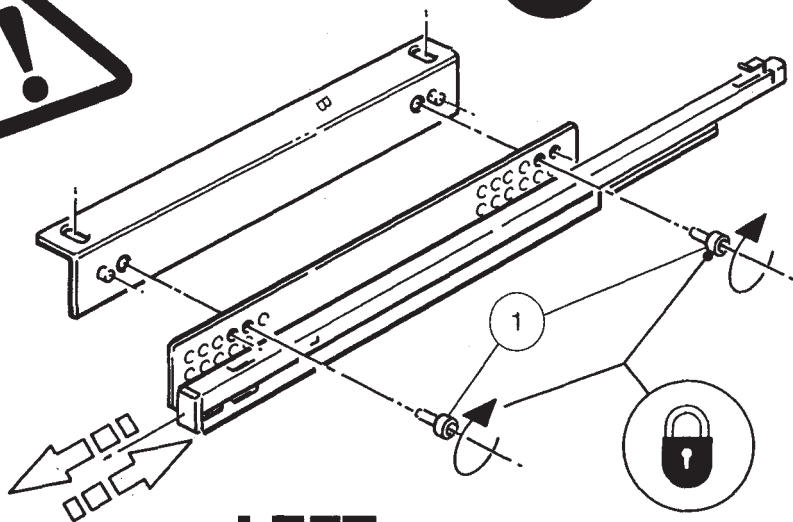
ATTACH SIDE MOUNT
ANGLE (A) USING PILOT
HOLES TO EACH SIDE
OF CABINET



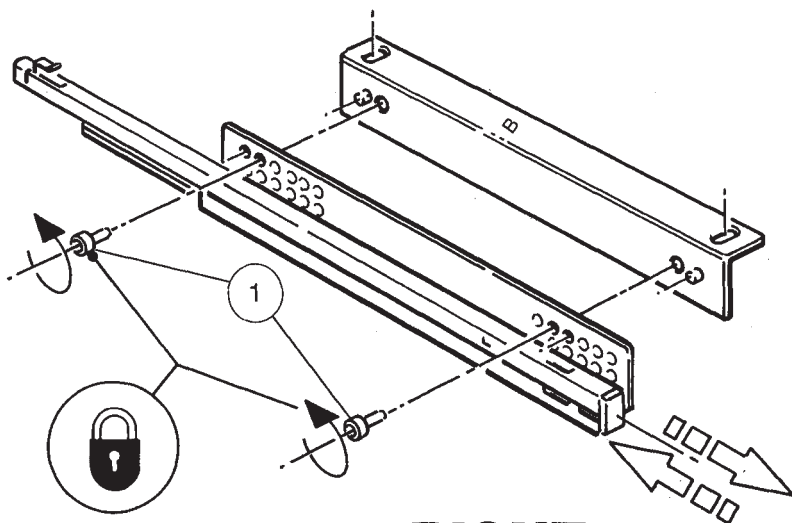
LEFT

ATTACH SLIDES TO SIDE
MOUNT ANGLE (B)

5

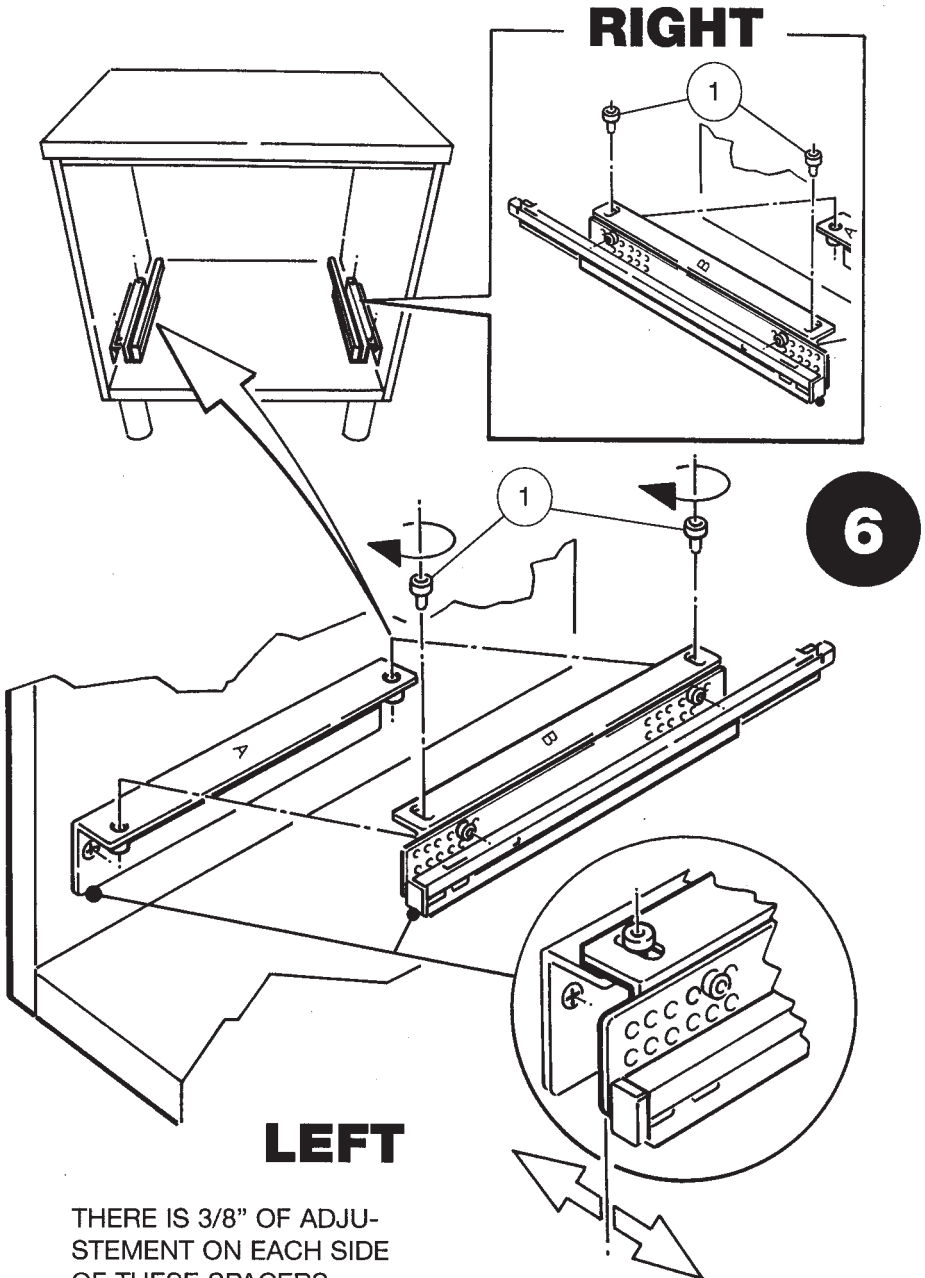


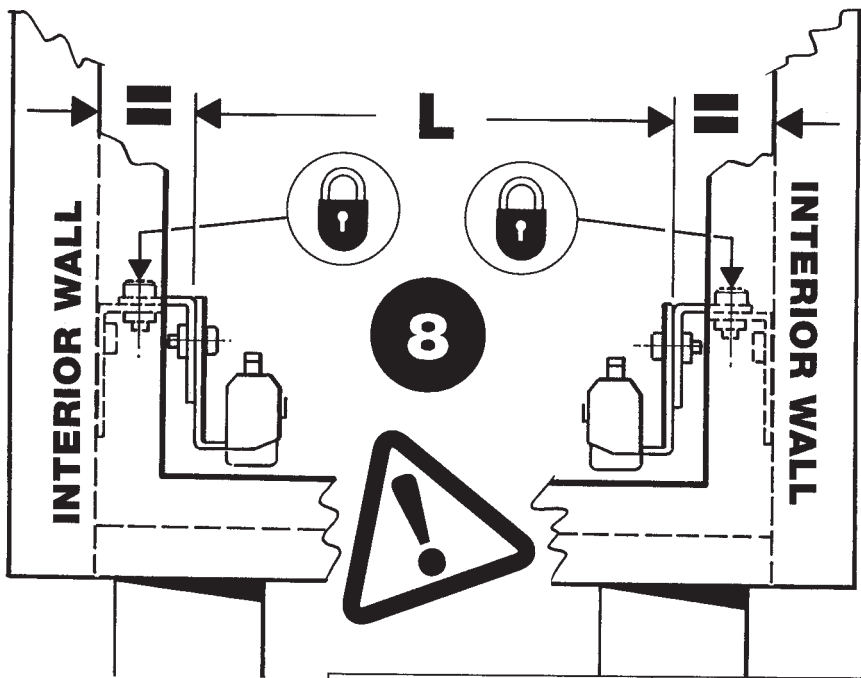
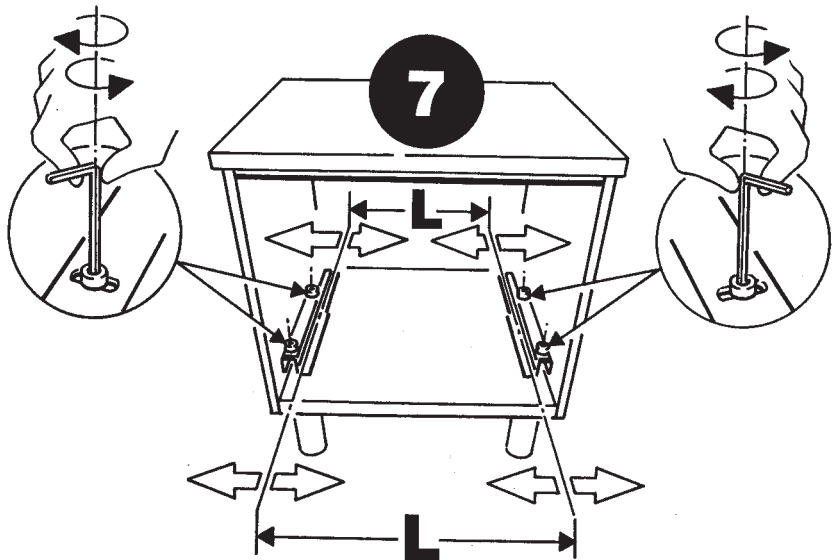
LEFT



RIGHT

JOIN SIDE MOUNT ANGLES
(A) AND (B) AS SHOWN

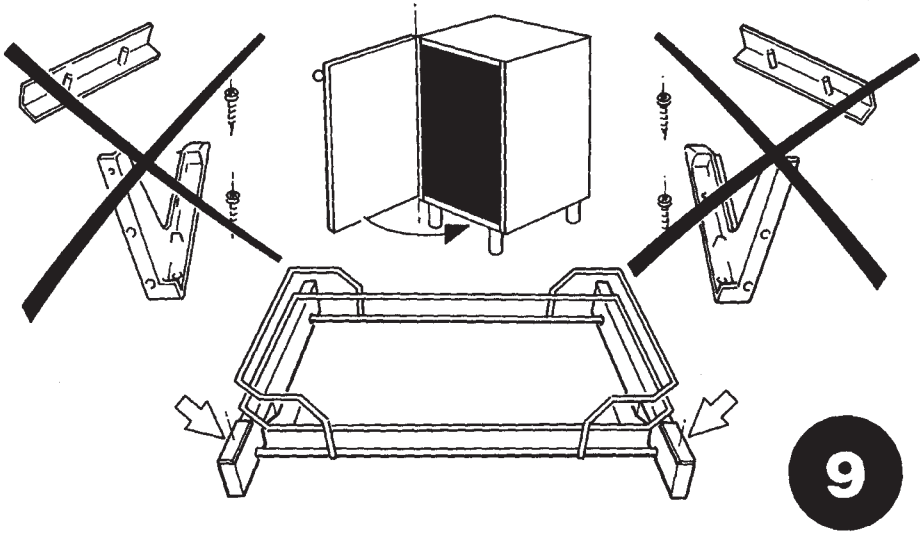




ADJUST WIDTH BETWEEN SLIDES, DIMENSION "L" AS SHOWN IN THE FOLLOWING TABLE:

DIMENSION CABINET	DIMENSION "L"
15"	11 3/8"
18"	14 3/8"
24"	20 3/8"
36"	32 3/8"

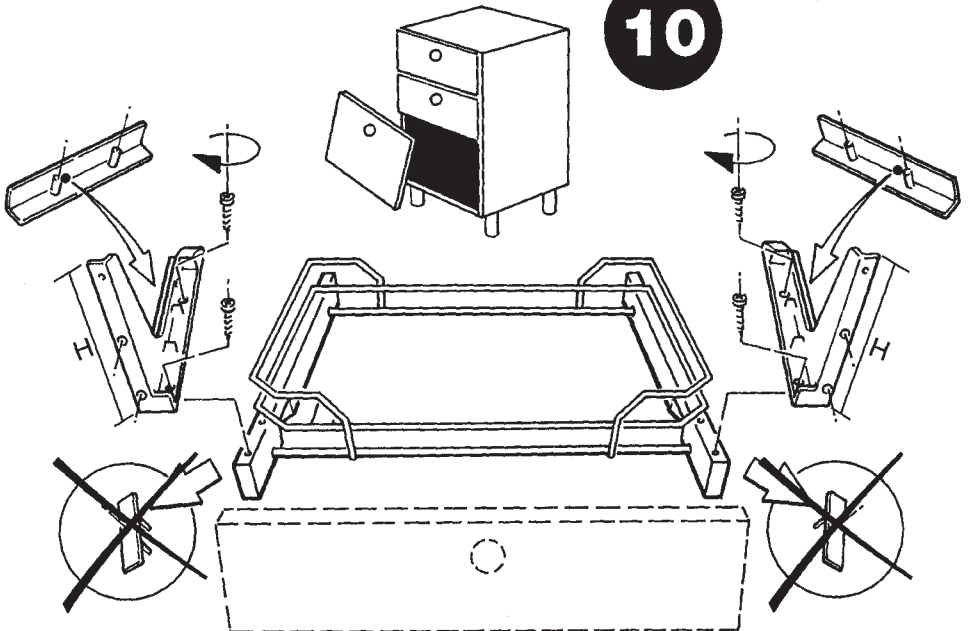
FRONT DOOR WITH HINGES



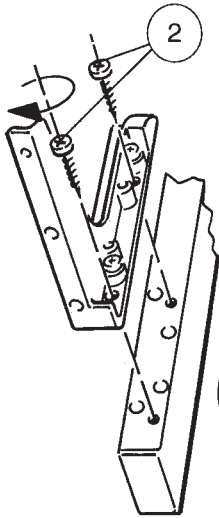
INSTALL RECTANGULAR COVER OVER ALLUMINIUM SLIDE COVER

FRONT DOOR APPLIED TO PULL-OUT BASKET

10

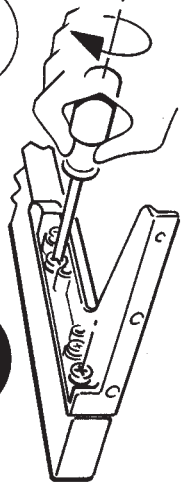


ATTENTION: CUTLERY ORGANIZER ART. 491 H=1 19/64"
ALL OTHER ITEMS H=6 27/64"

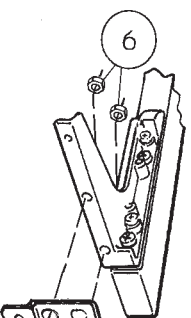


11

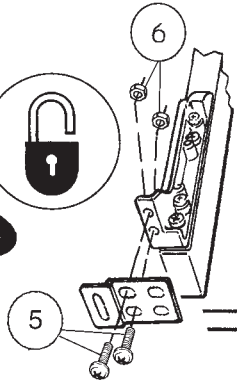
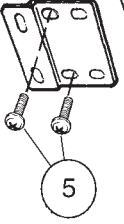
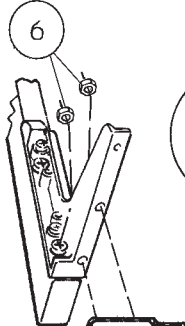
ATTACH DOOR MOUNT
BRACKETS TO TOP OF
ALLUMINIUM SLIDE
COVER USING SCREWS



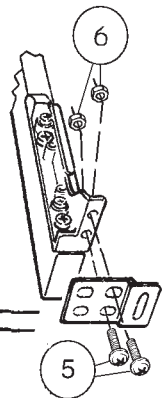
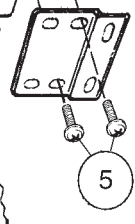
12



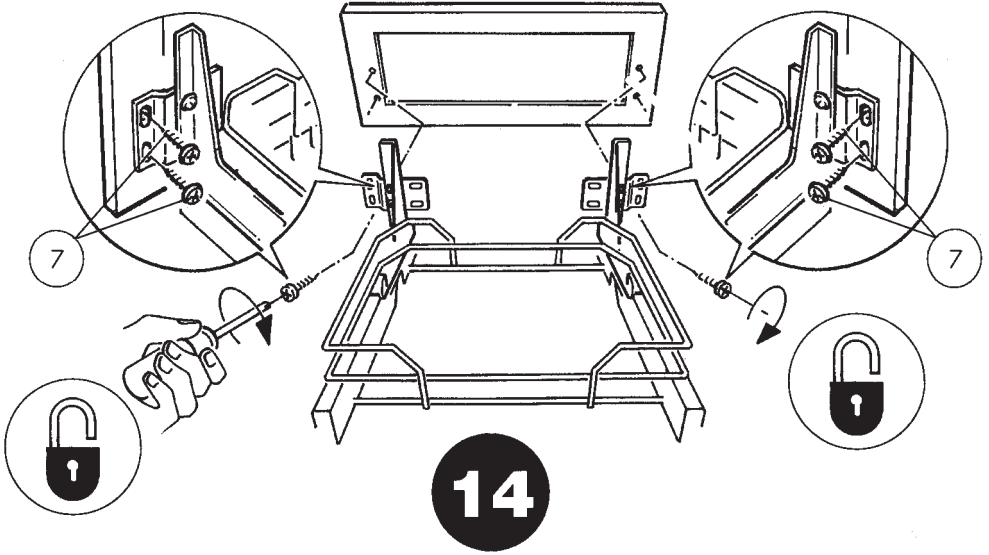
13



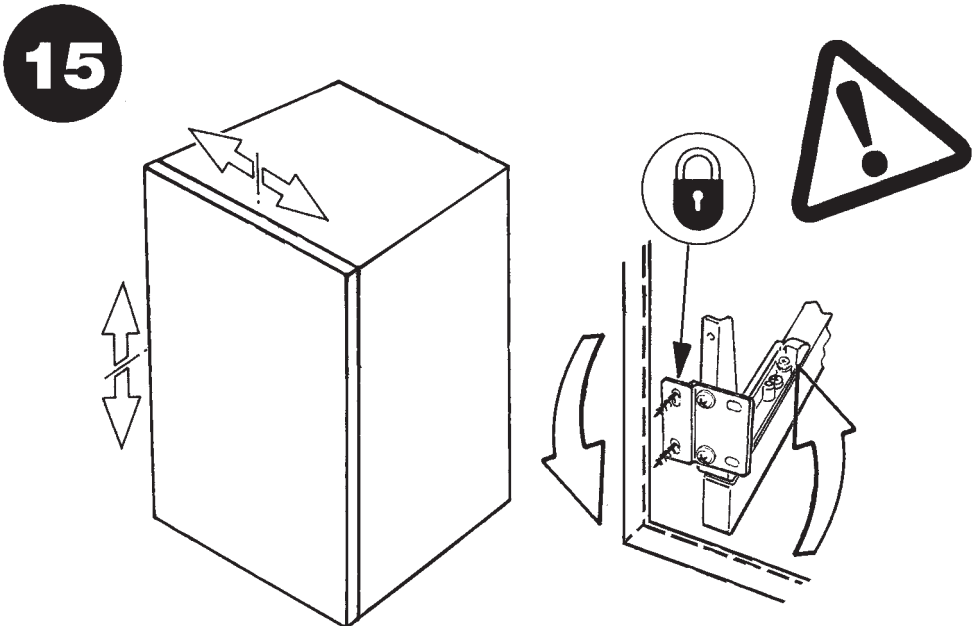
13a

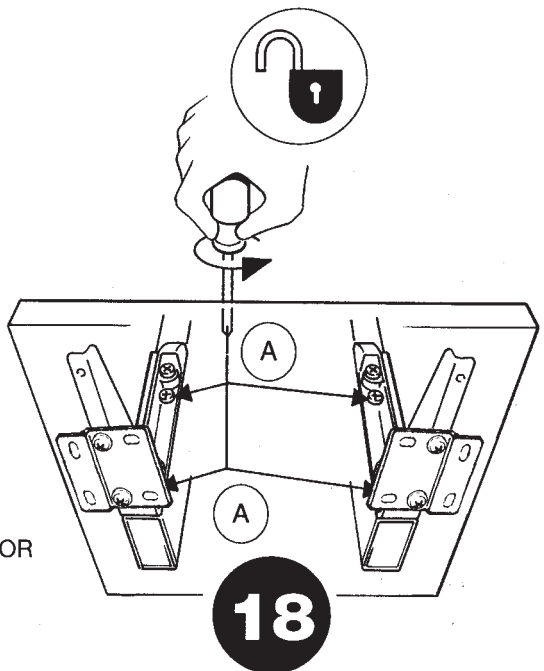
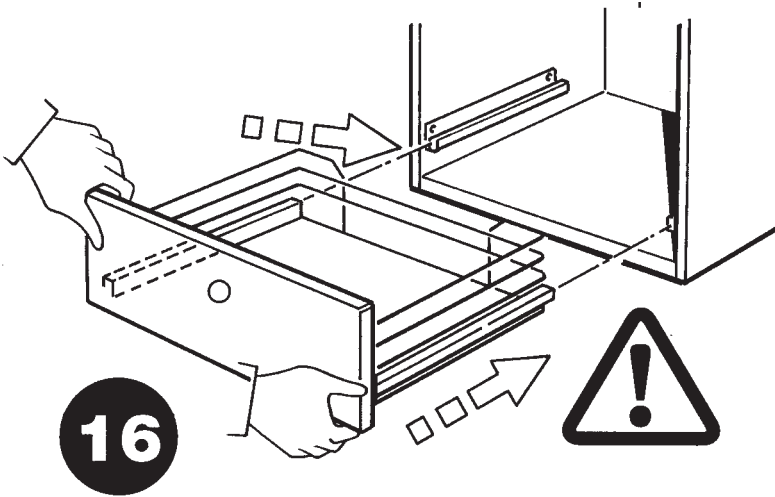


"Add the metal door mount extension brackets if your door or drawer front requires a mounting position to the exterior of the product frame. These brackets should eliminate the need for a sub-door or drawer. (see 14-18)"



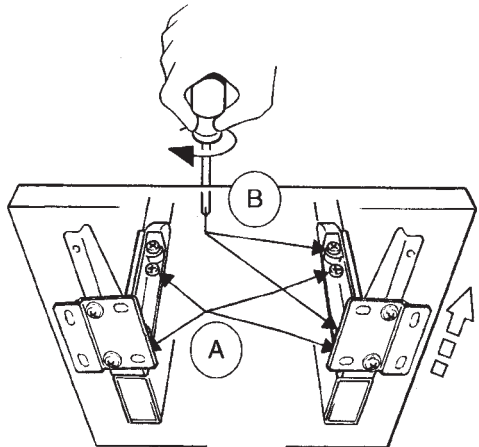
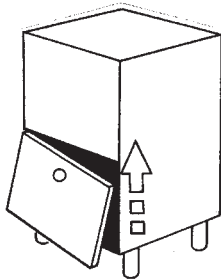
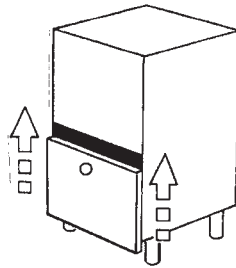
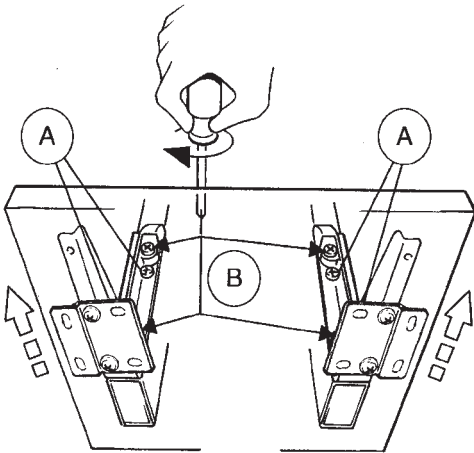
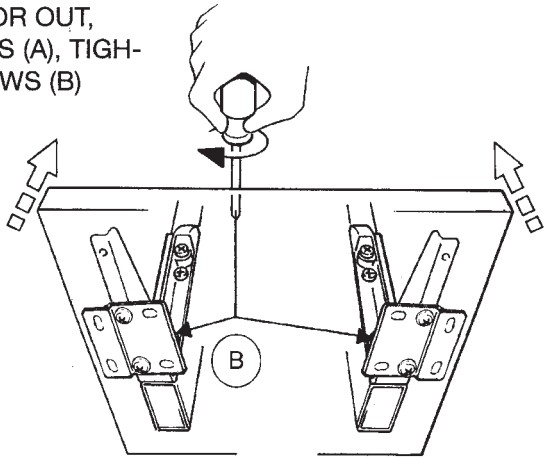
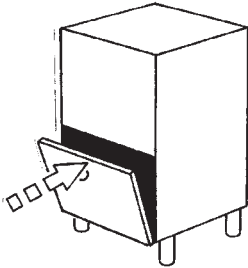
ATTACH BASKET WITH BRACKETS TO CABINET DOOR. BE SURE UNIT IS CENTERED SIDE TO SIDE AND AT THE PROPER HEIGHT TO ALLOW PROPER OVERHANG OF DOOR AT TOP AND BOTTOM.



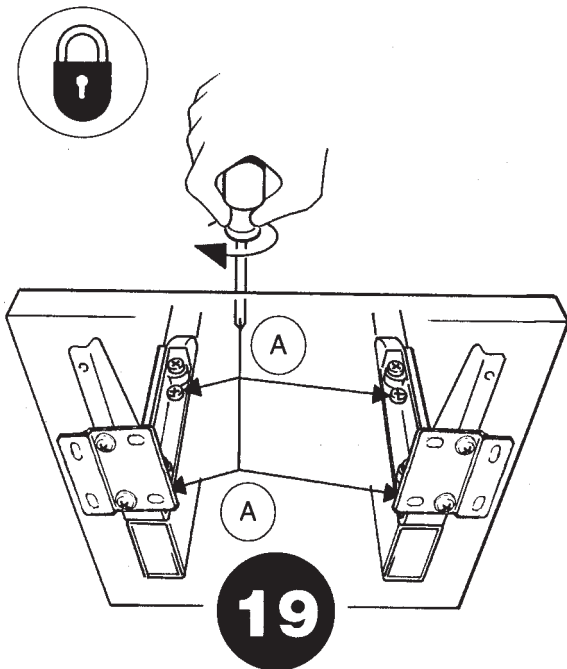


ADJUSTING THE FRONT DOOR

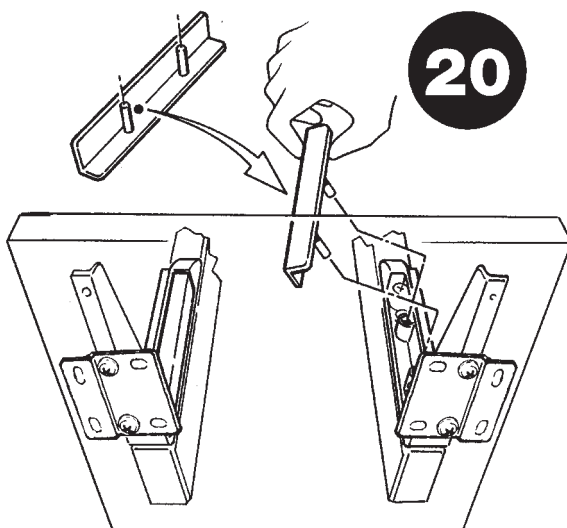
WHEREAS TO TILT TOP OF DOOR OUT,
LOOSEN ATTACHMENT SCREWS (A), TIGHTEN
BACK ADJUSTMENT SCREWS (B)



TO RAISE DOOR, LOOSEN ATTACHMENT SCREWS (A) AND TIGHTEN ADJUSTMENT SCREWS (B). TO LEVEL DOOR, RAISE LOW SIDE ONLY UNTIL DOOR IS LEVEL.

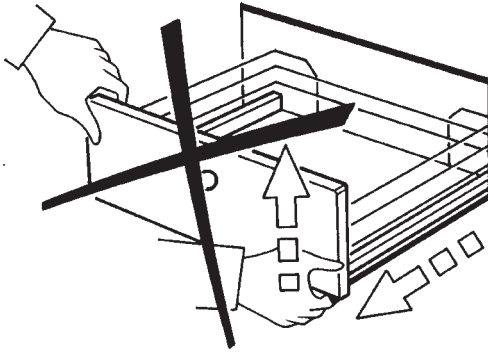


RE-TIGHTEN
ATTACHMENT SCREWS (A).



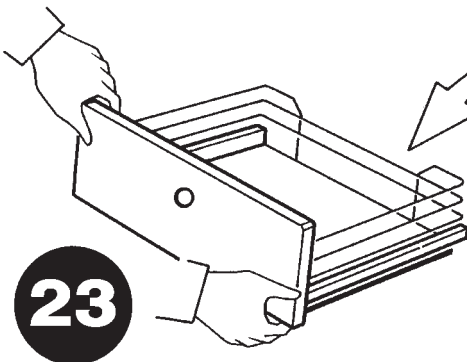
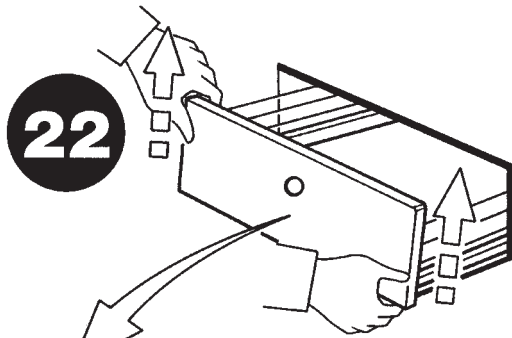
INSTALL SNAP ON COVER OVER ATTA-
CHMENT AND ADJUSTMENT SCREWS.

REMOVING THE UNIT



21

PULL UP THE UNIT NO MORE THAN 1/3 OF THE DEPTH (7" APPROX.)



PULL UP THE UNIT BY FRONT DOOR. THIS WILL RELEASE THE ALLUMINIUM SLIDE COVERS FROM THE SLIDES

REMOVE THE UNIT