

an *Eefa*Co. Store
1-877-275-9111

REV·A·SHELF®




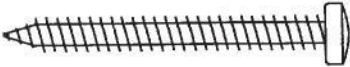
COMPAGNUCCI®



WIRE PRODUCTS AND ENGINEERING

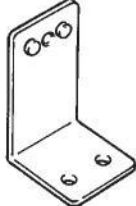
Pull-out sink base art. 486

①   (4) M5 x 3,5

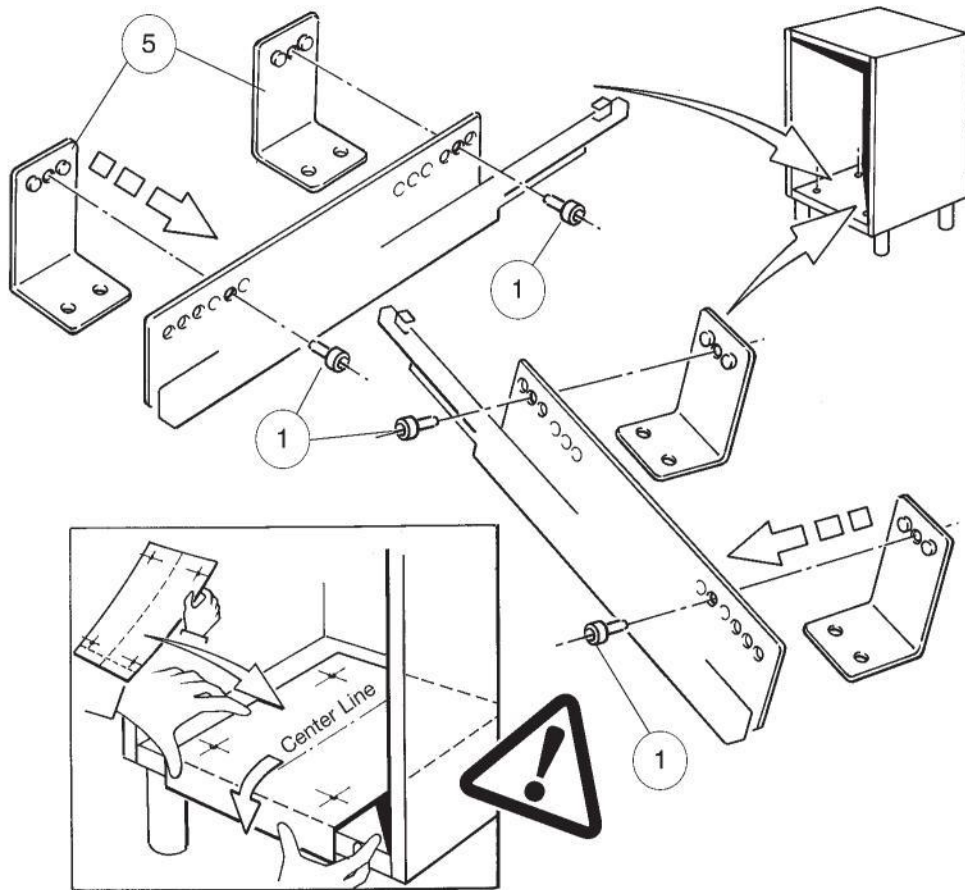
②   (4) 4x25

③   (4) 4x20

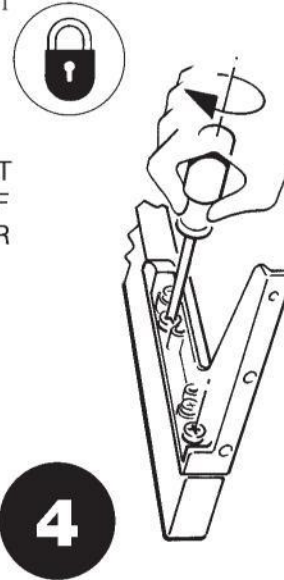
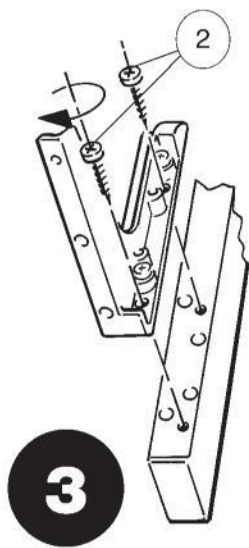
④   (8) 4x16

⑤  (4)

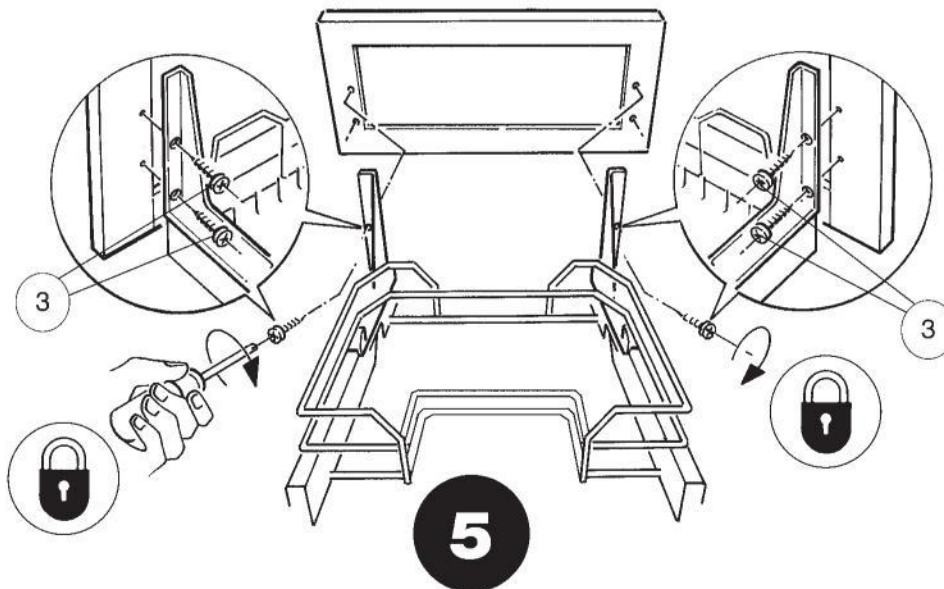
BOTTOM APPLICATION



1. Fix Brackets to slides
2. Fix slides to bottom cabinet referring to template



ATTACH DOOR MOUNT
BRACKETS TO TOP OF
PLASTIC SLIDE COVER
USING SCREWS



ATTACH BASKET WITH BRACKETS TO CABINET DOOR. BE SURE UNIT IS
CENTERED SIDE TO SIDE AND AT THE PROPER HEIGHT TO ALLOW PROPER
OVERHANG OF DOOR AT TOP AND BOTTOM.