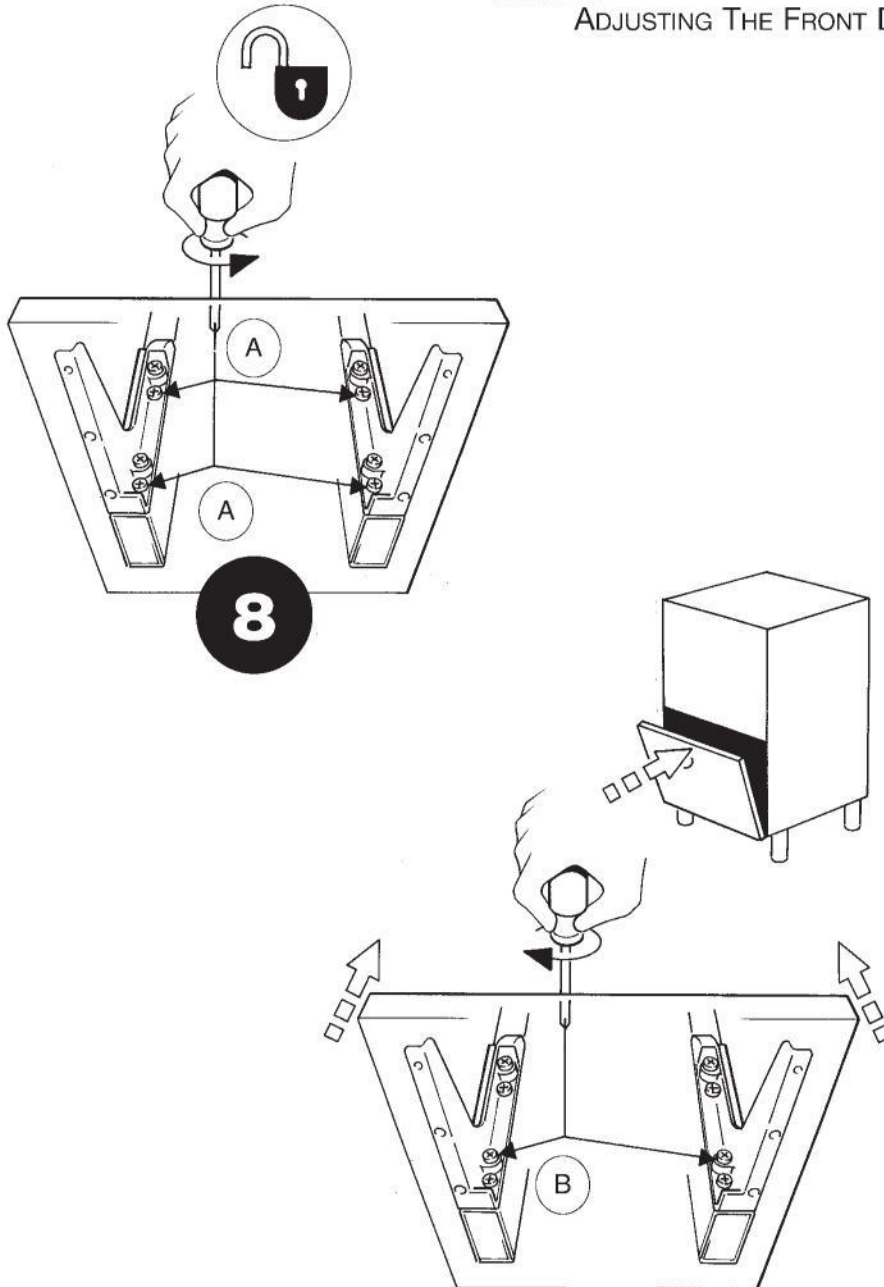
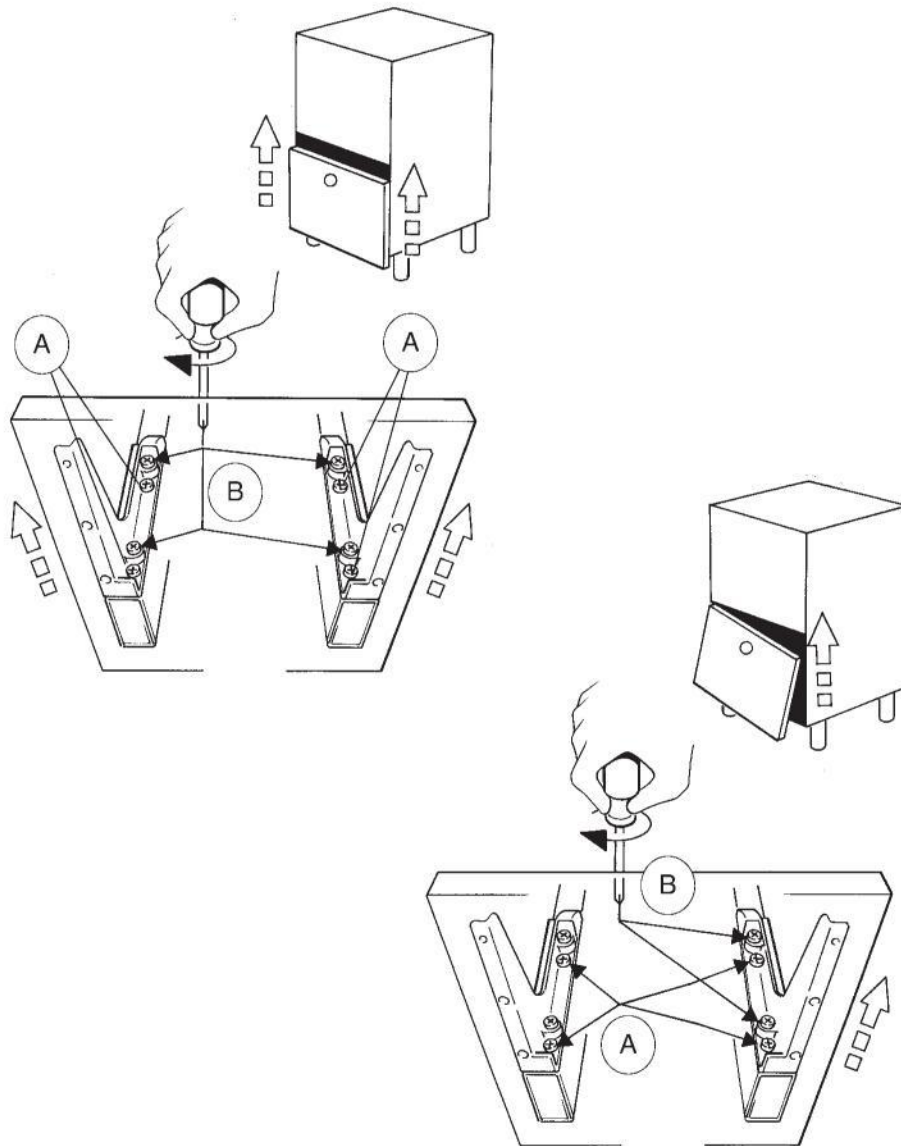


WITH SLIDES IN CLOSED POSITION, SET UNIT ON SLIDES AND PUSH IN AS FAR AS IT WILL GO. THIS WILL ENGAGE LOCK ON TO SLIDES.

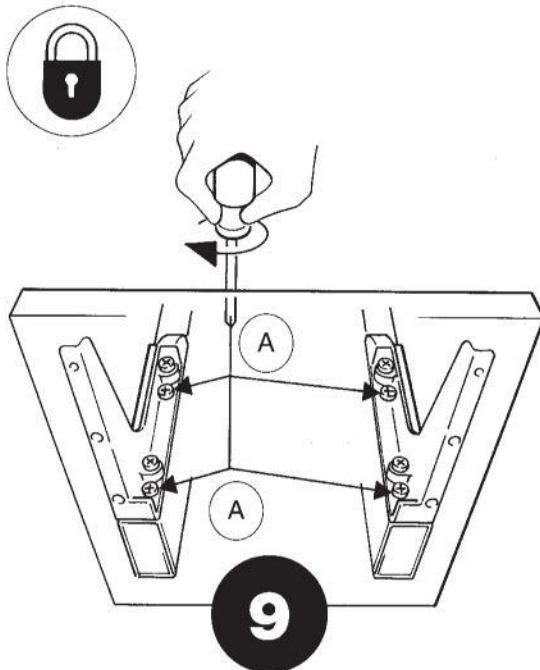
ADJUSTING THE FRONT DOOR



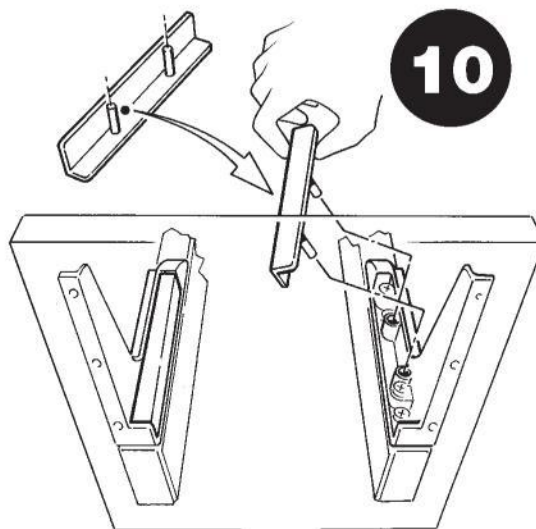
WHEREAS TO TILT TOP OF DOOR OUT,  
LOOSEN ATTACHMENT SCREWS (A), TIGHTEN  
BACK ADJUSTMENT SCREWS (B)



TO RAISE DOOR, LOOSEN ATTACHMENT SCREWS (A) AND TIGHTEN ADJUSTMENT SCREWS (B). TO LEVEL DOOR, RAISE LOW SIDE ONLY UNTIL DOOR IS LEVEL.



RE-TIGHTEN  
ATTACHMENT SCREWS (A).



INSTALL SNAP ON COVER OVER ATTA-  
CHMENT AND ADJUSTMENT SCREWS.

REMOVING THE UNIT

