



Part # TBC-14TCR

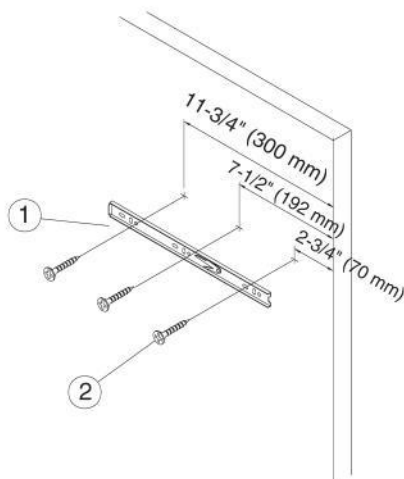
Tie Belt Combo Rack Installation

No.	Quantity	Description
①	1 set	Slides
②	3 pcs	Wood screws
③	1 set	Tie Belt Combo Rack
④	1 pc	Top Tray

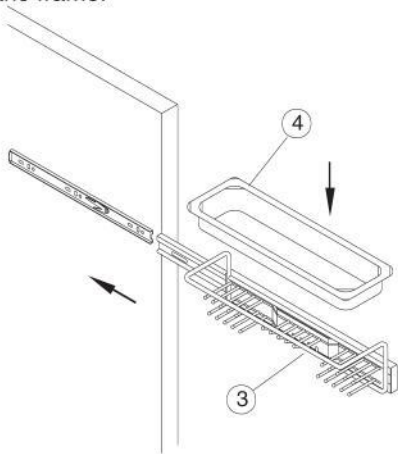
Notes:

1. Pay attention to the direction of slide member to avoid the mistake of assembly.
2. The minimum required depth of the cabinet is 14" (356 mm).
3. Avoid using acid or corrosive cleaner to wipe the product.

1. According to the dimension, mount the slides to the side of cabinet.



2. Connect Tie Belt Combo Rack with the slide then place the Top Tray on the frame.



3. Your installation is complete.

