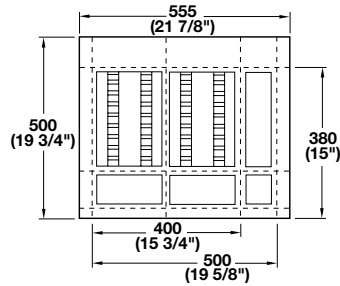


Medical Drawer Inserts



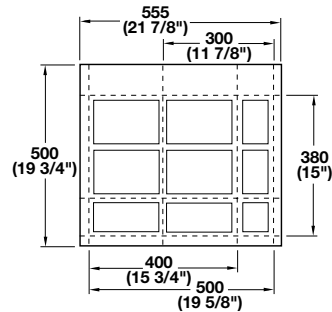
Drawer inserts

Material: 2.5 mm
Finish: Polystyrene, gloss white

Drawer insert, flat with plastic for dental mirror, tweezers and other medical instruments.
Height: 28 mm (1 1/8")

Cat. No. 556.66.763

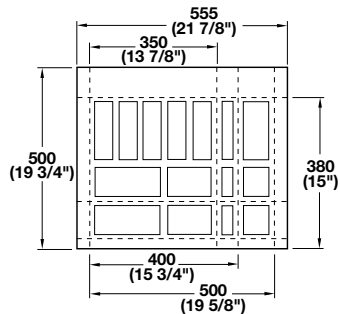
Packing: 1 pc.



Drawer insert, flat with partitions for different materials and medical instruments
Height: 28 mm (1 1/8")

Cat. No. 556.66.754

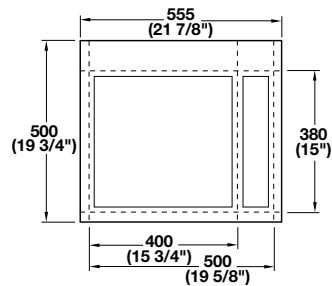
Packing: 1 pc.



Drawer insert, flat with all-purpose partitions
Height: 28 mm (1 1/8")

Cat. No. 556.66.745

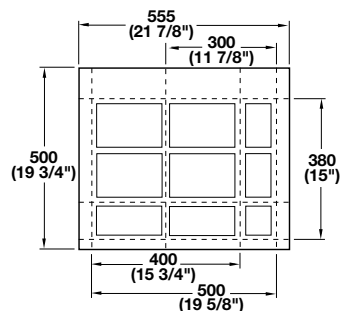
Packing: 1 pc.



Drawer insert, deep with one large and one small partition.
Height: 57 mm (2 1/4")

Cat. No. 556.66.718

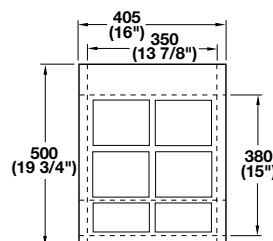
Packing: 1 pc.



Drawer insert, deep with partitions for materials and medical instruments.
Height: 57 mm (2 1/4")

Cat. No. 556.66.727

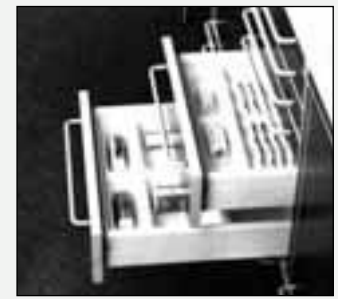
Packing: 1 pc.



Drawer insert, deep with 6 partitions for materials and medical instruments.
Height: 57 mm (2 1/4")

Cat. No. 556.66.736

Packing: 1 pc.



Fixed dimensions: starting at 100 pieces, at no extra cost.

Medical drawer inserts can be trimmed with a circular saw to the measurements indicated by the broken line.

Kitchen Accessory Systems

5

**Dimensions in mm
Inches are approximate**

Dimensional data not binding.
We reserve the right to alter specifications without notice.