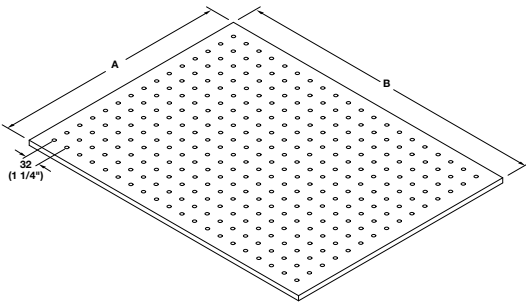


Kitchenware & Plate Organizer



Base plate

Height: 10 mm (3/8")
Finish: veneer, beech

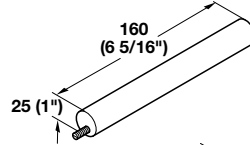
Size A x B	Cat. No.
533 (21") x 610 (24")	557.46.001
914 (36") x 610 (24")	557.46.000

Packing: 1 pc.

Post, round
Finish: beech

Cat. No. 557.46.010

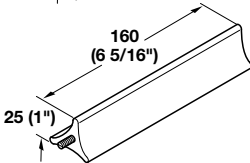
Packing: 1 set (4 pcs.) (with mounting hardware, including locking nut)



Post, triangle
Finish: beech

Cat. No. 557.46.011

Packing: 1 set (4 pcs.) (with mounting hardware, including locking nut)

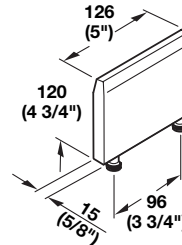
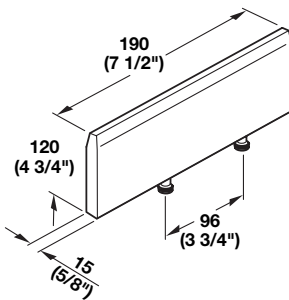
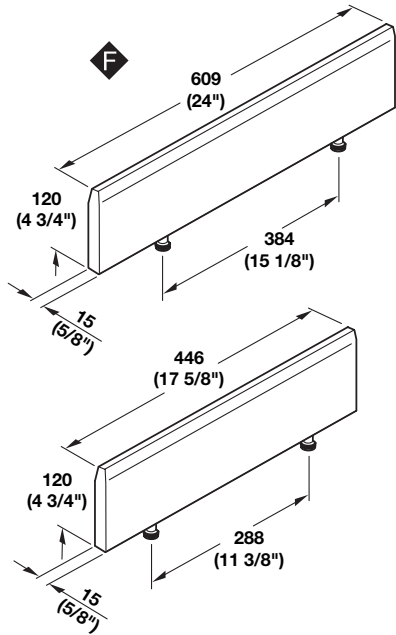


Deep Drawer Dividers

Finish: beech

Dimensions	Cat. No.
609 (24") x 120 (4 3/4") x 15 (5/8")	557.46.043
446 (17 5/8") x 120 (4 3/4") x 15 (5/8")	557.46.042
190 (7 1/2") x 120 (4 3/4") x 15 (5/8")	557.46.041
126 (5") x 120 (4 3/4") x 15 (5/8")	557.46.040

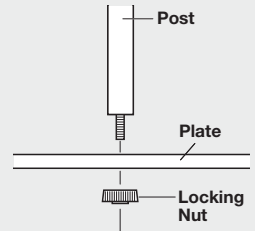
Packing: 1 pc. (including locking nuts)



- Customize drawer with any combination of beech posts and dividers.

- Posts mount into pre-drilled holes and are secured with fastening nut.

- Base plate can be field cut to size.

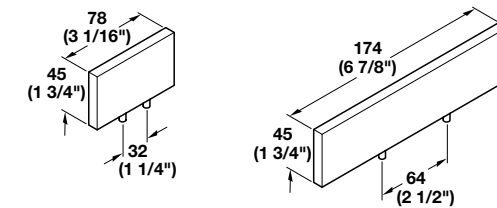


Utensil divider, Press-fit, short

Finish: beech

Cat. No. 557.46.020

Packing: 1 set (4 pcs.)

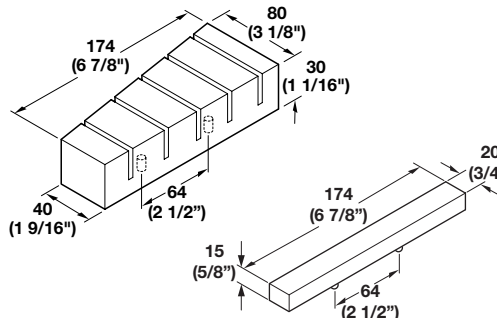


Utensil divider, Press-fit, long

Finish: beech

Cat. No. 557.46.021

Packing: 1 set (4 pcs.)



Knife holder set, Press-fit

Finish: beech

Cat. No. 557.46.030

Packing: 1 set (including knife block and knife stop)

Organizational Products for Kitchen, Bath, Closet and Home Entertainment



Divider and Knife holder set press-fit into pre-drilled holes by dowel.