



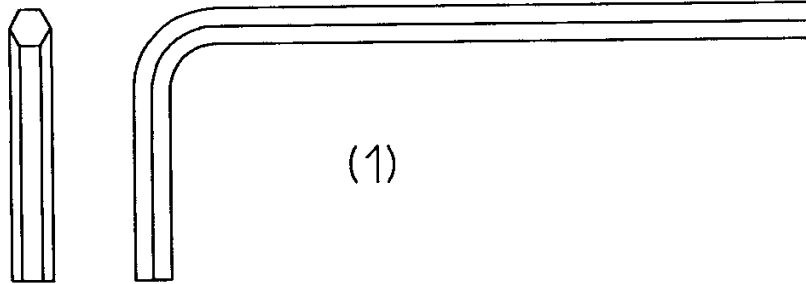
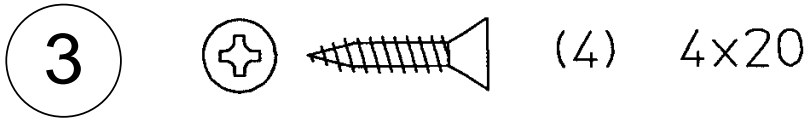
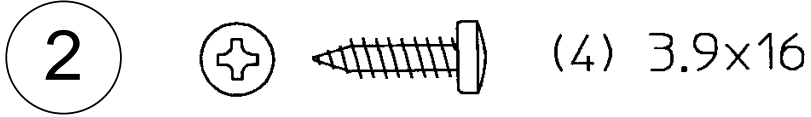
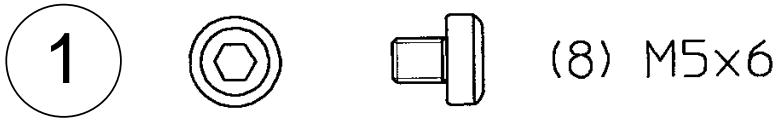
COMPAGNUCCI®



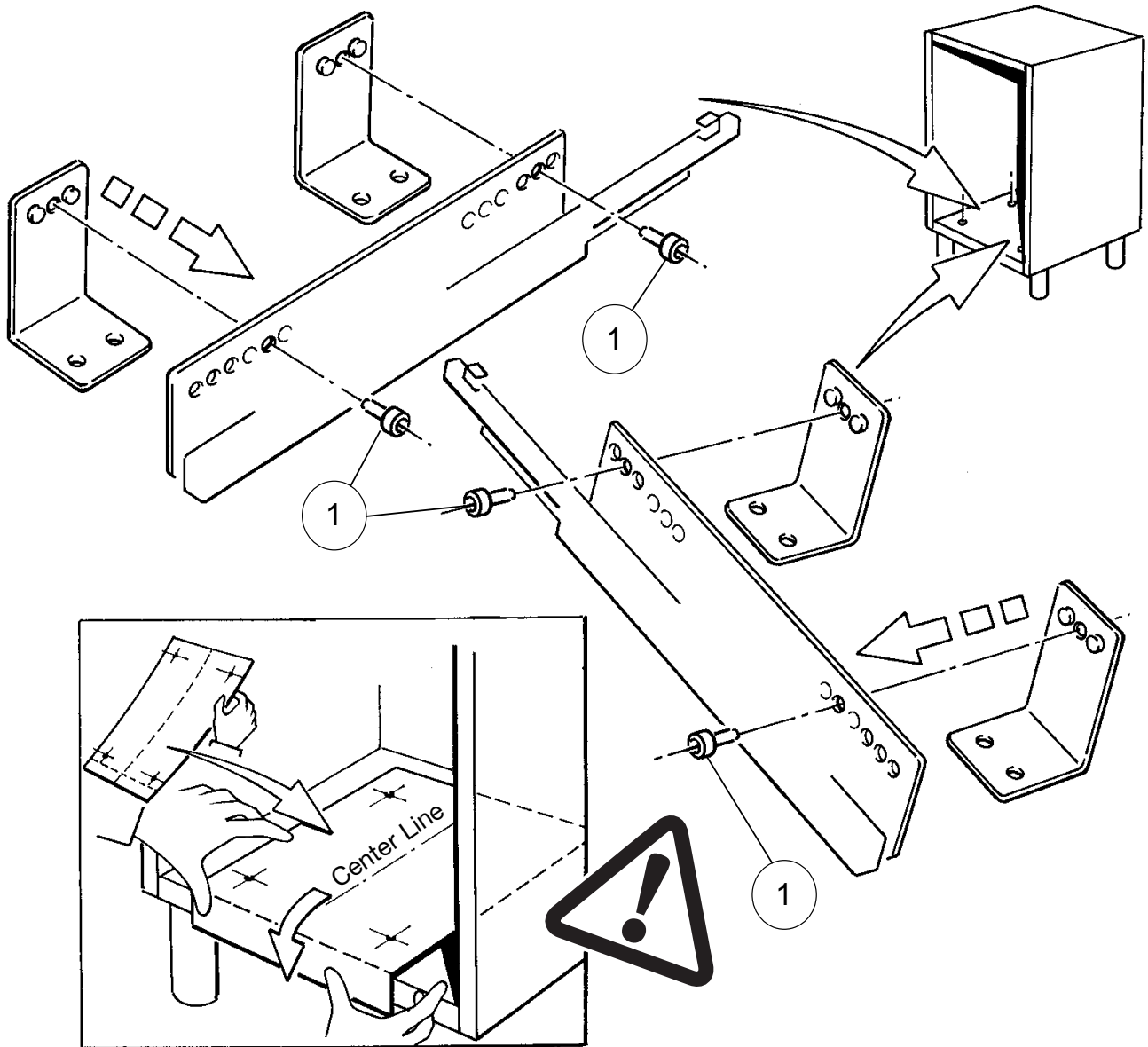
WIRE PRODUCTS AND ENGINEERING

Cesto estraibile • Pull-out basket

A30ISTR0194 March, 2003



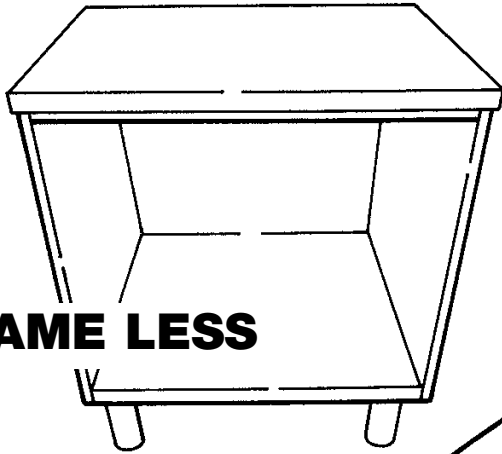
BOTTOM APPLICATION



1. Fix Brackets to slides
2. Fix slides to bottom cabinet referring to template

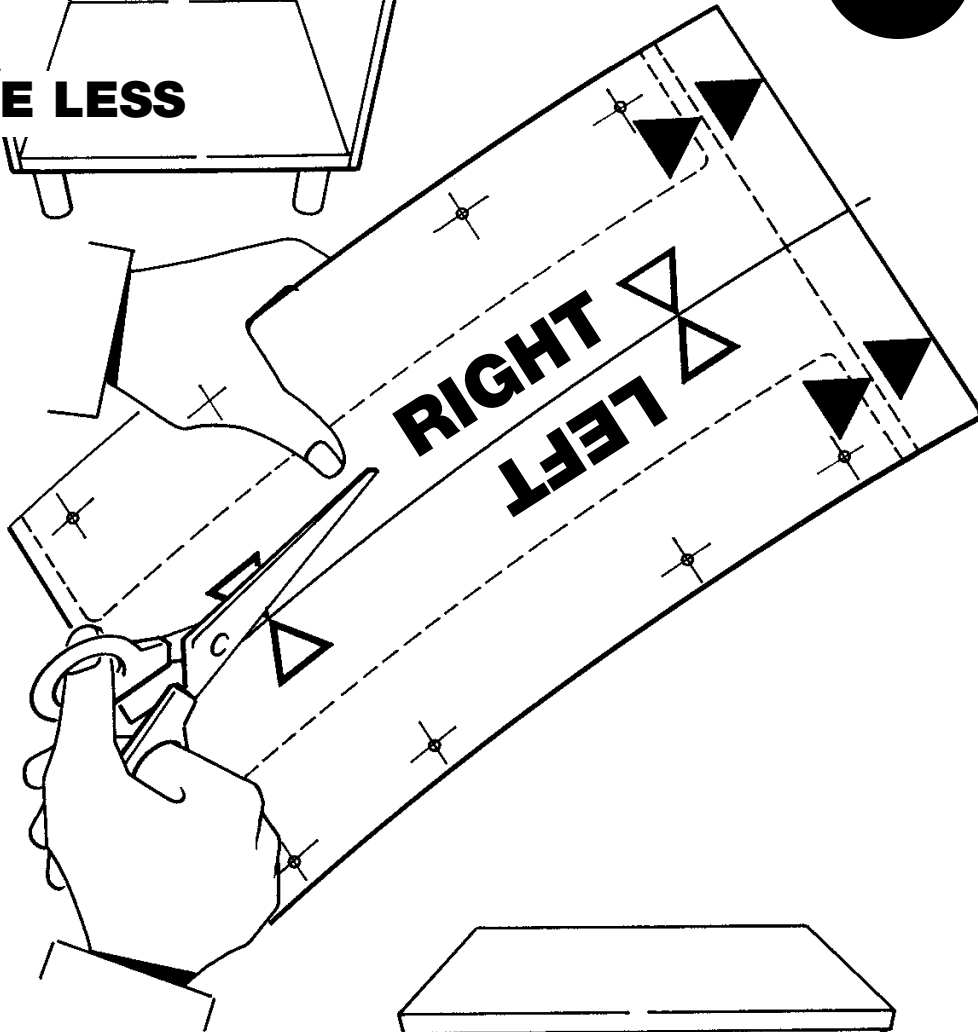
Next Step
GO TO PAGE 13

SIDE APPLICATION

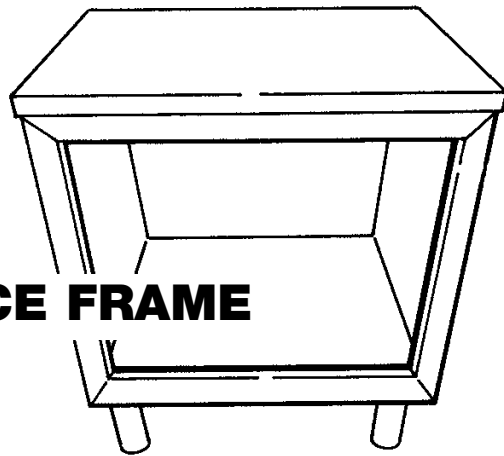


FRAME LESS

GO TO PAGE 4

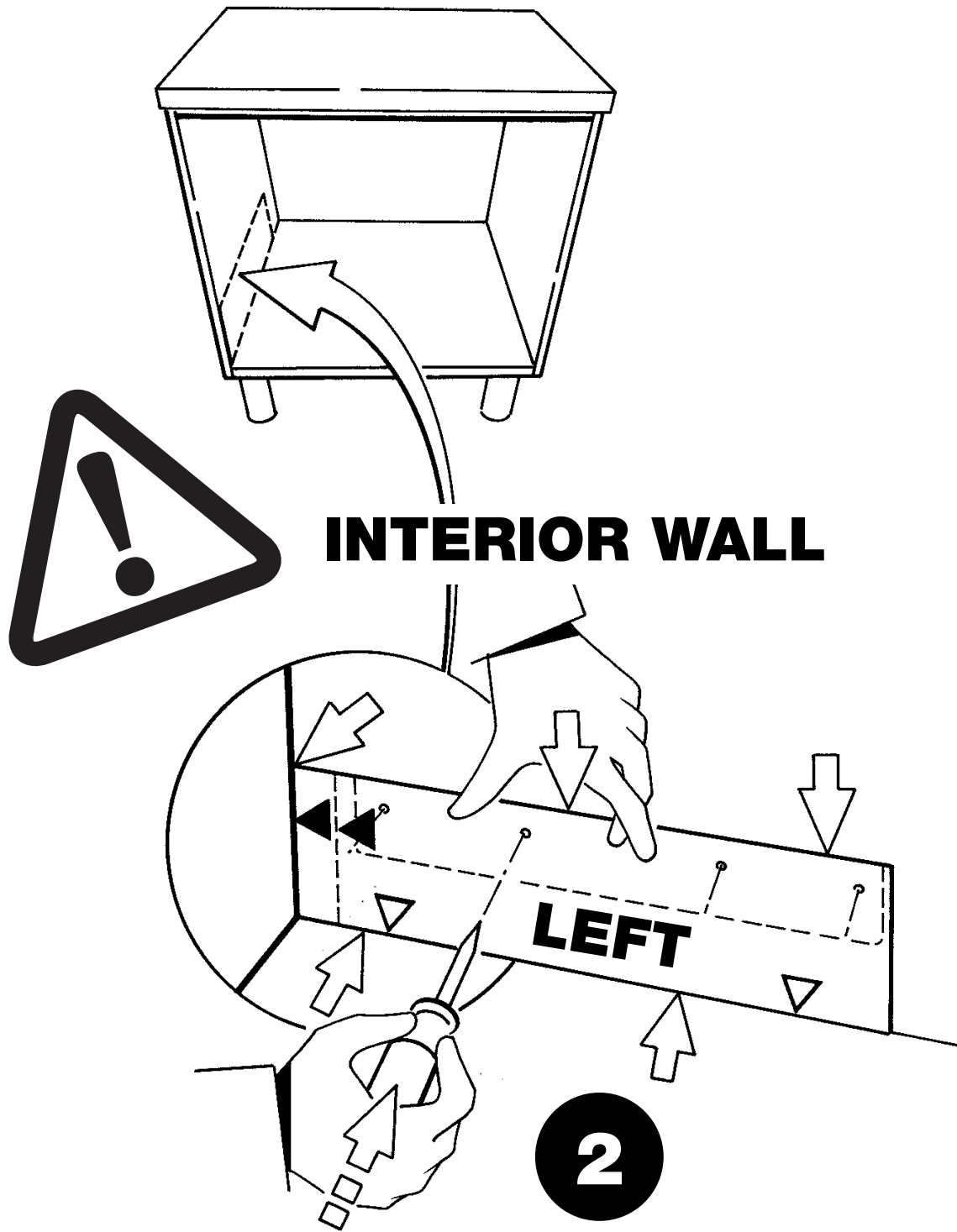


RIGHT
LEFT

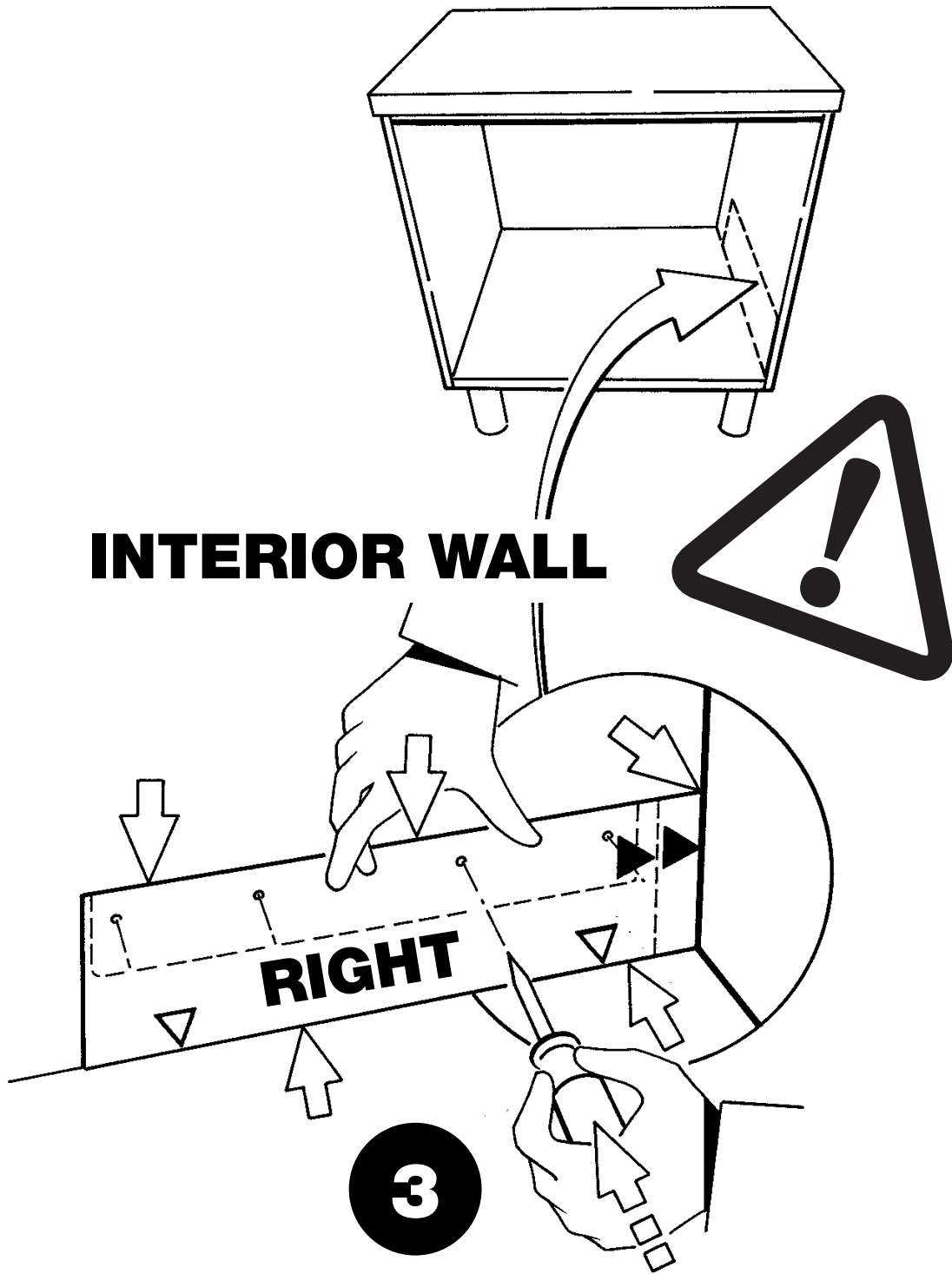


FACE FRAME

GO TO PAGE 6

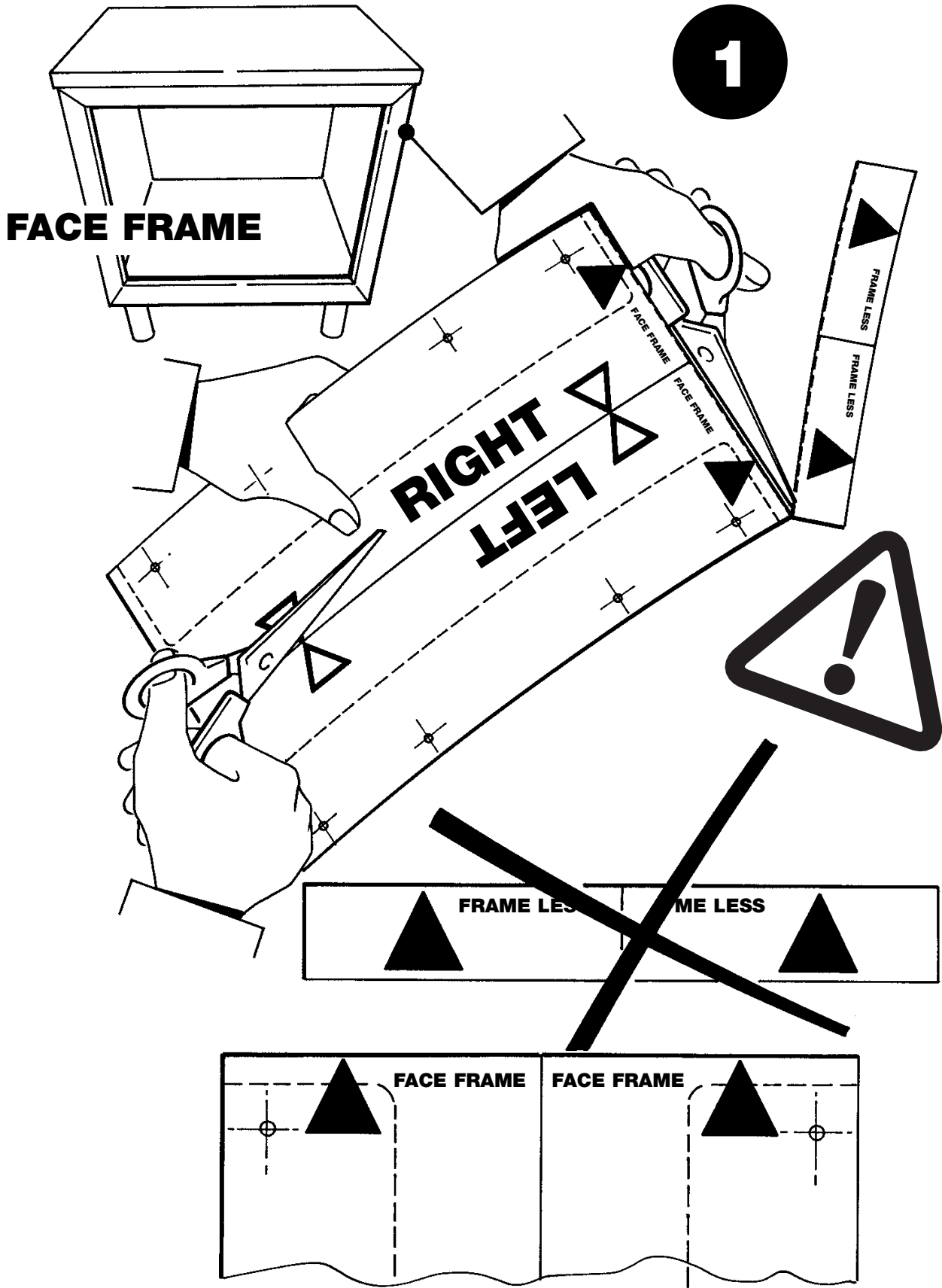


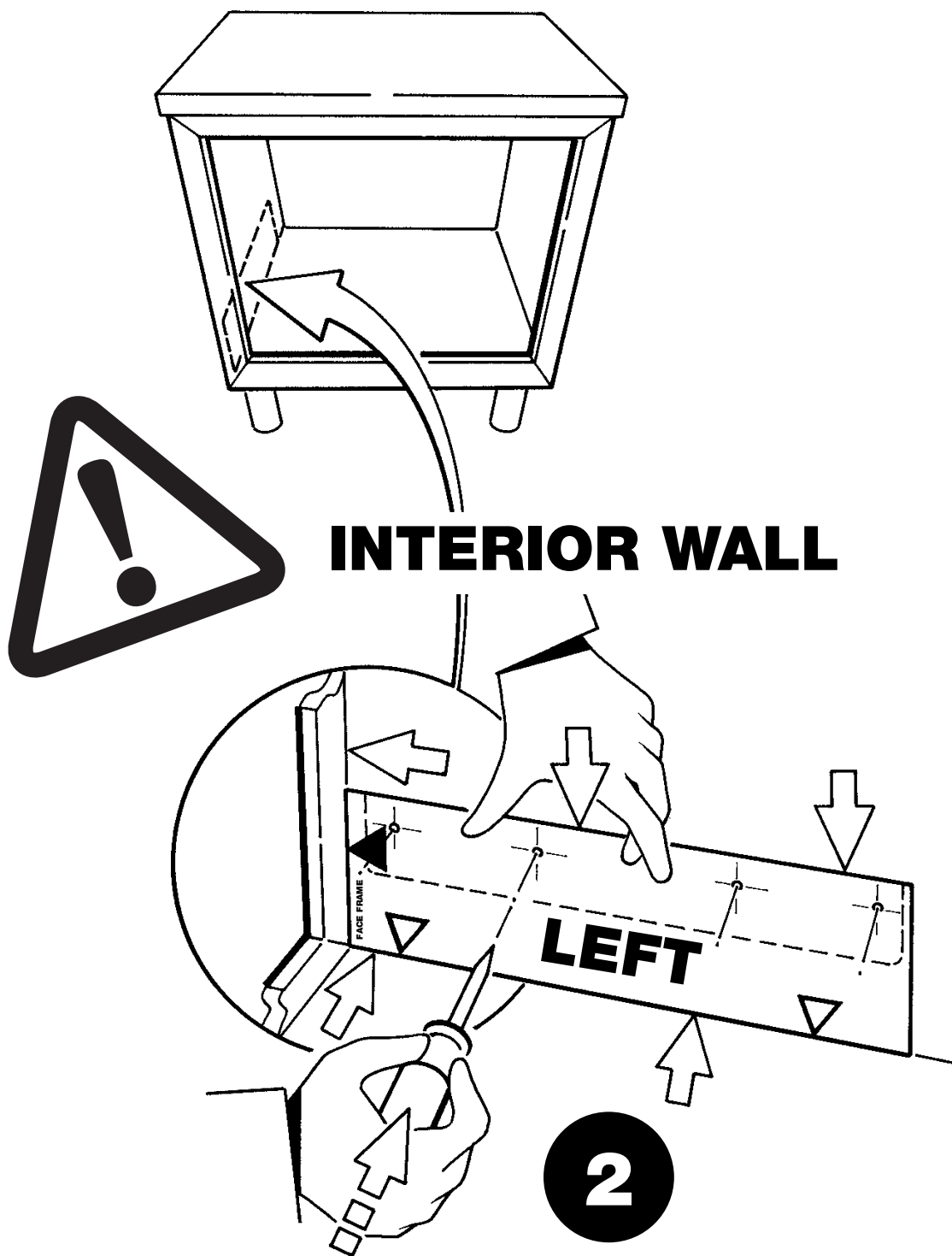
DRILL PILOT HOLES IN EACH SIDE
OF CABINET AT LOCATION FOUND
BY THE TEMPLATE



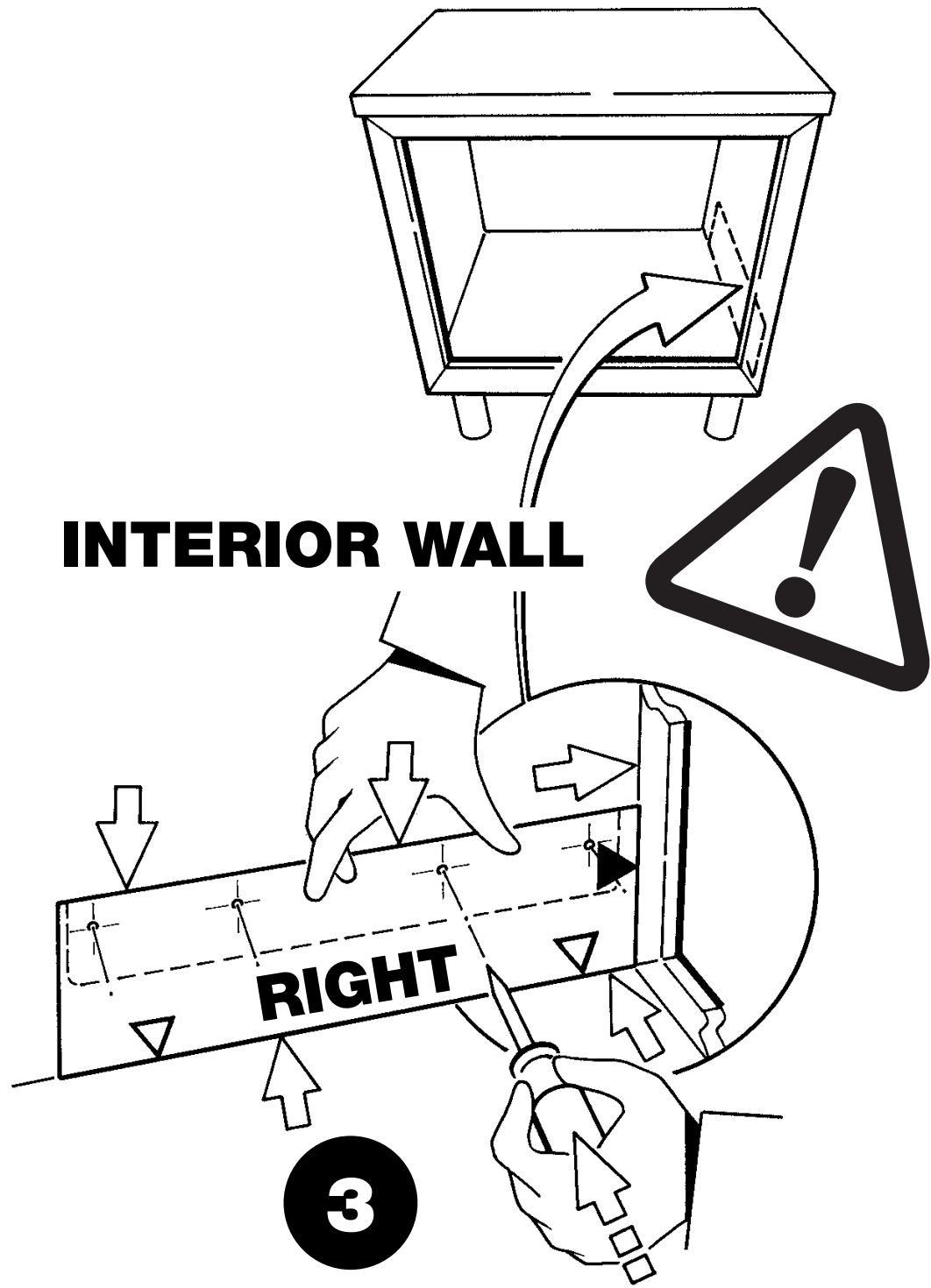
DRILL PILOT HOLES IN EACH SIDE OF CABINET AT LOCATION FOUND BY THE TEMPLATE

Next Step
GO TO PAGE 9

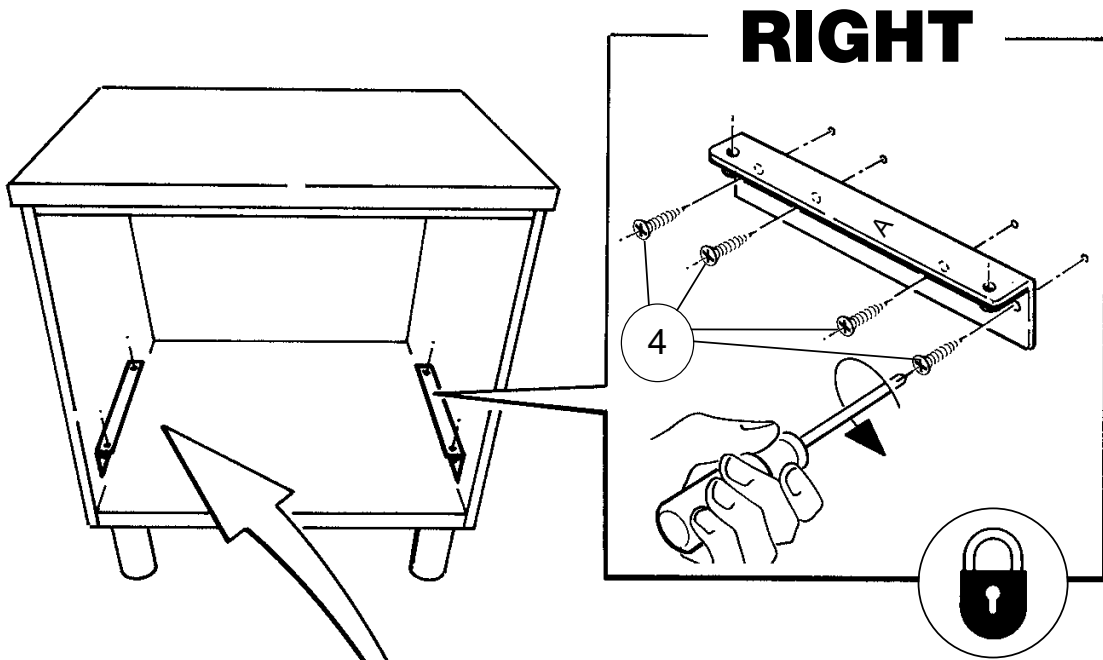




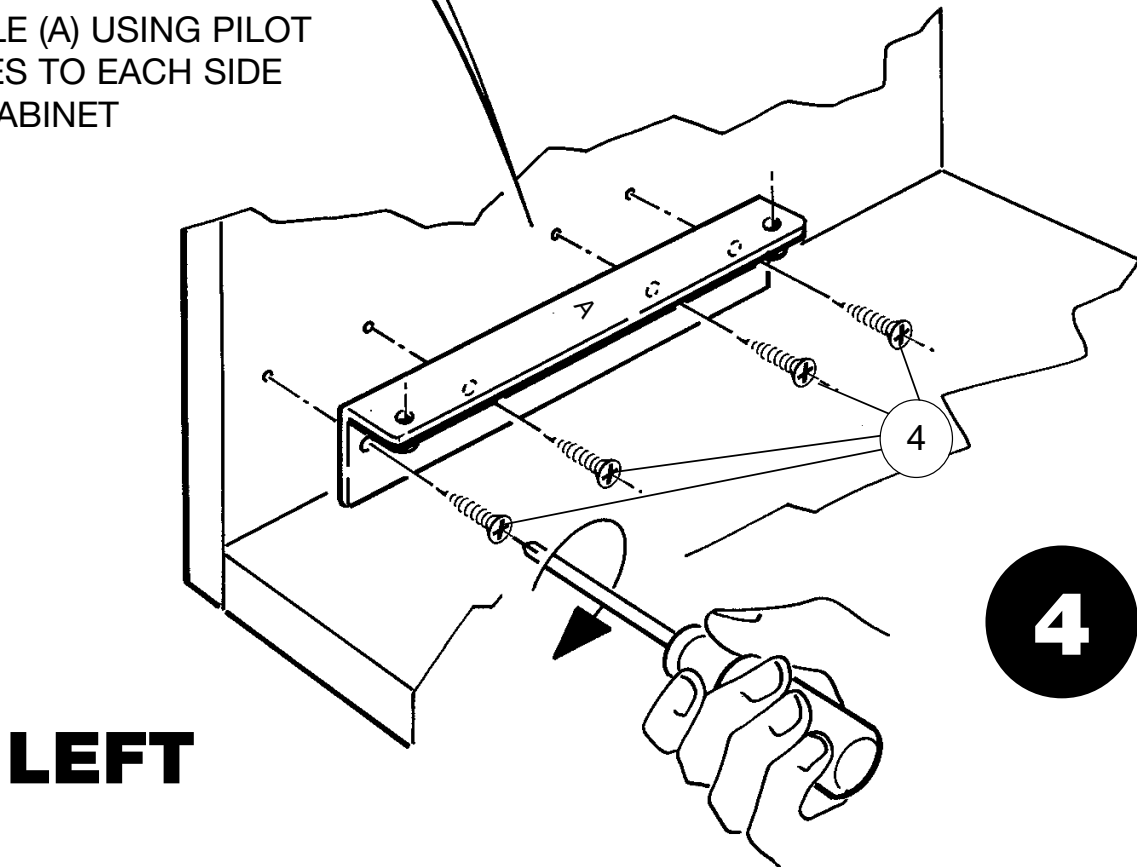
DRILL PILOT HOLES IN EACH SIDE OF CABINET AT LOCATION FOUND BY THE TEMPLATE



DRILL PILOT HOLES IN EACH SIDE OF CABINET AT LOCATION FOUND BY THE TEMPLATE

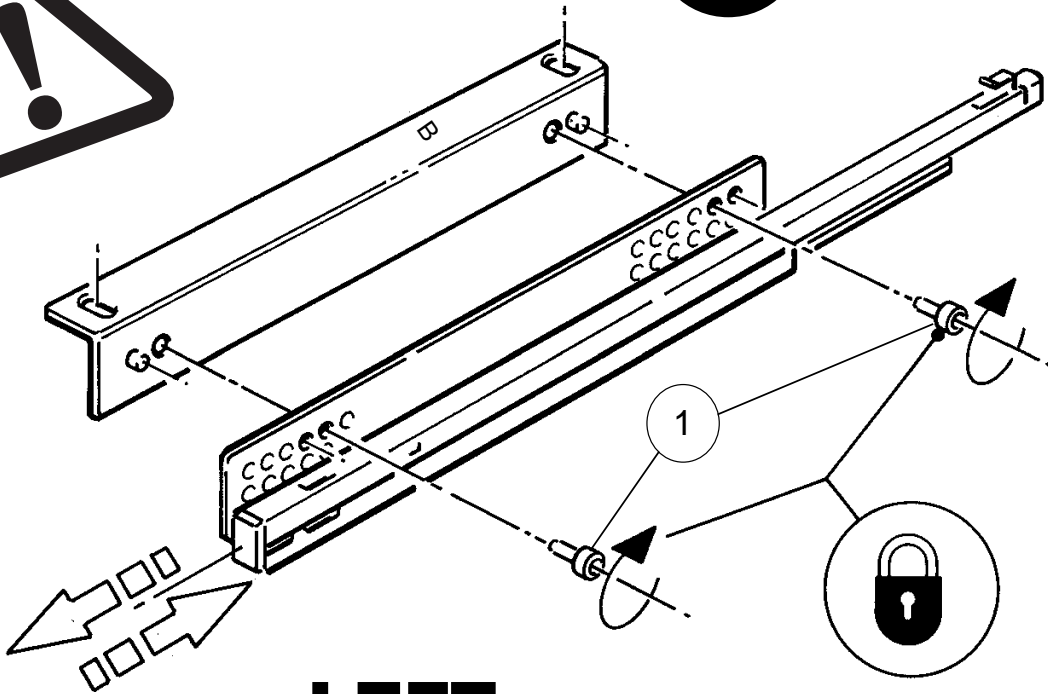


ATTACH SIDE MOUNT
ANGLE (A) USING PILOT
HOLES TO EACH SIDE
OF CABINET

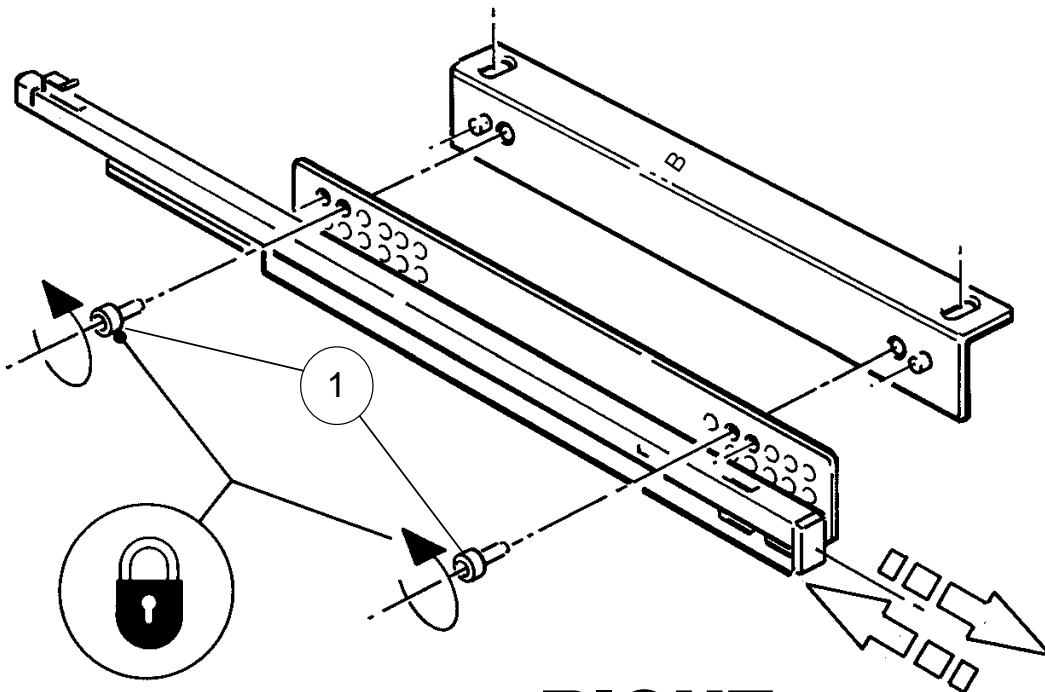


ATTACH SLIDES TO SIDE
MOUNT ANGLE (B)

5

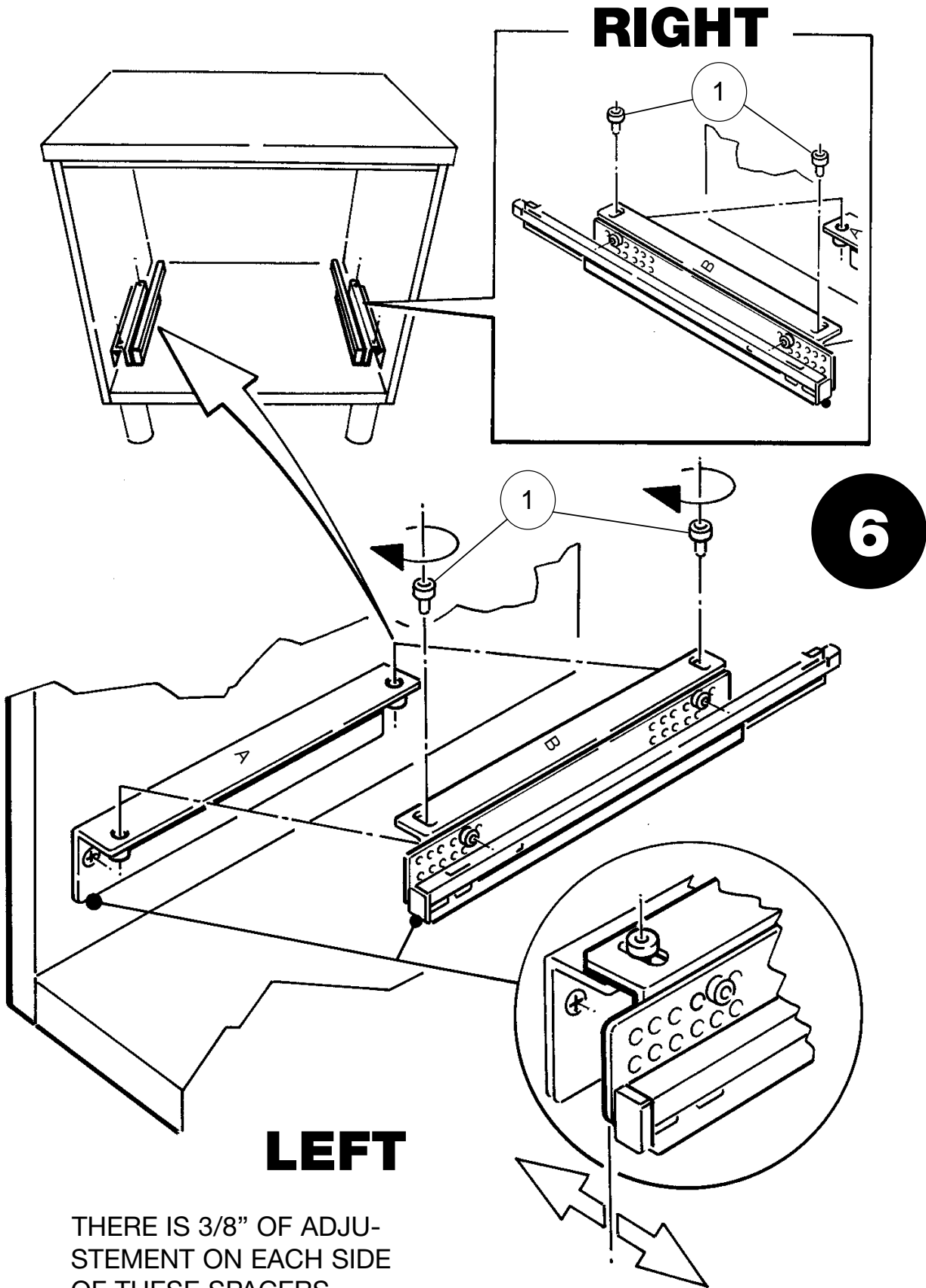


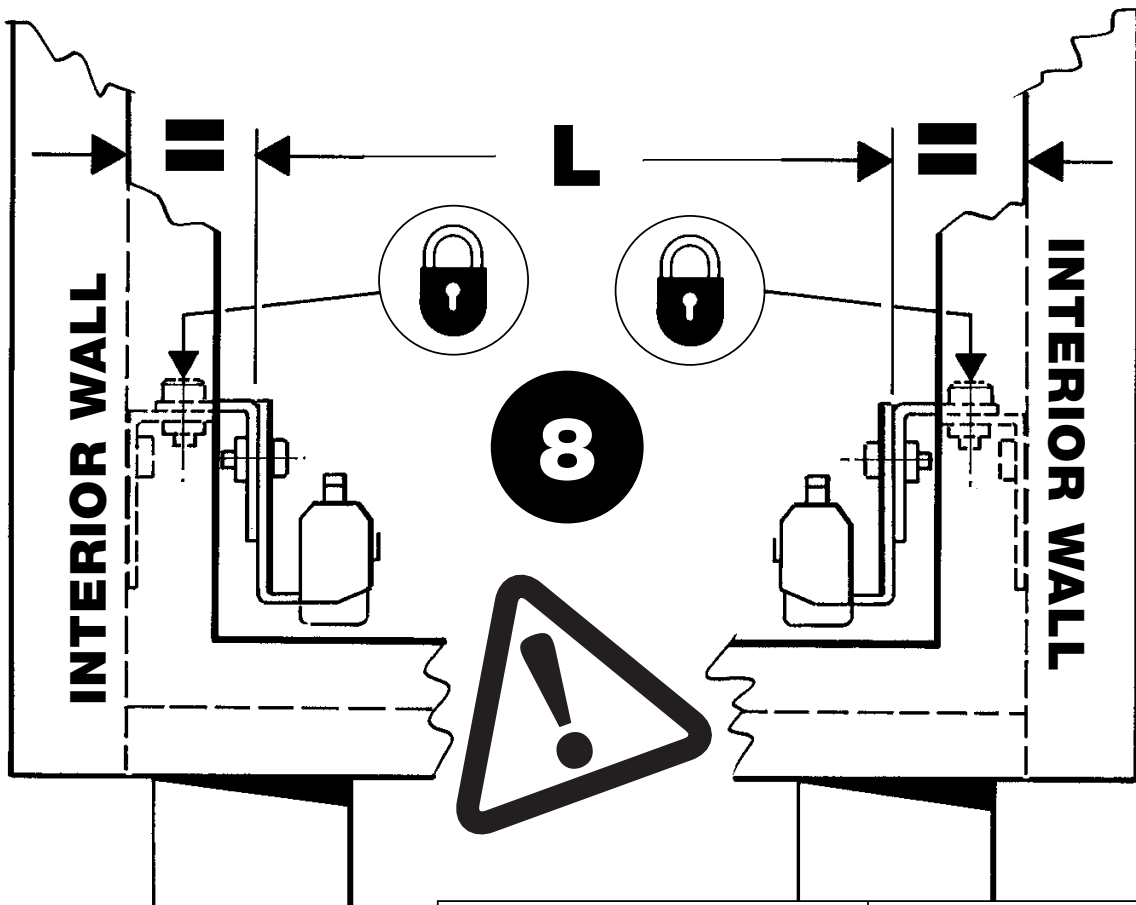
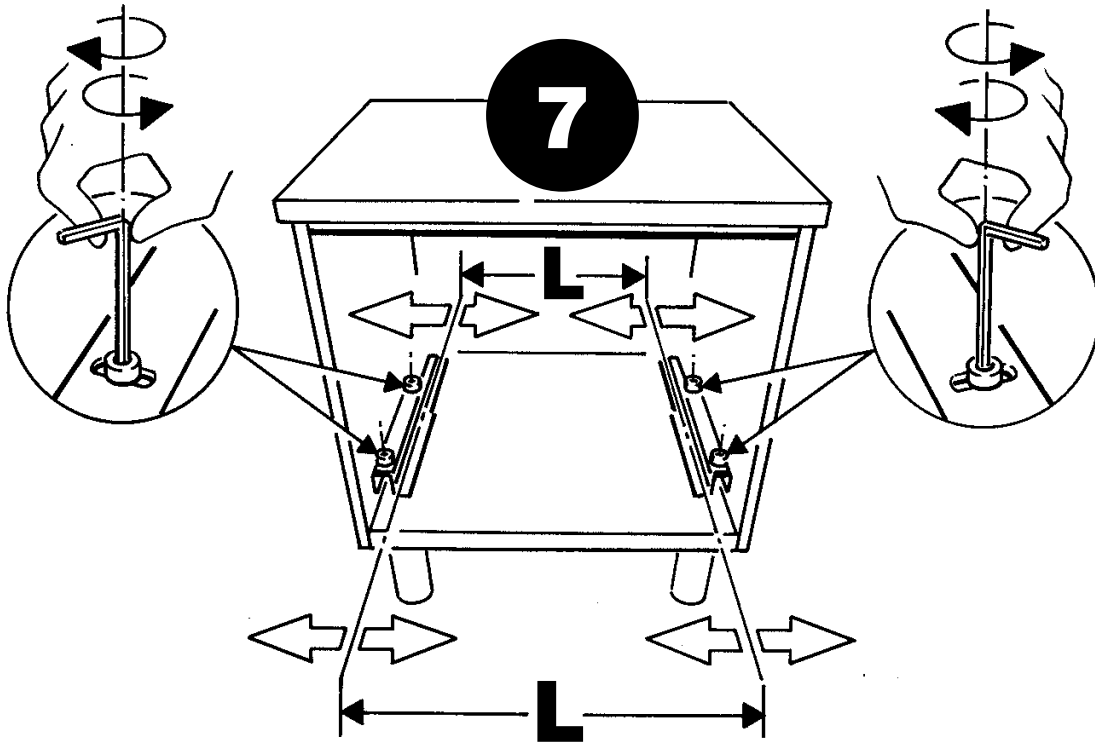
LEFT



RIGHT

JOIN SIDE MOUNT ANGLES
(A) AND (B) AS SHOWN

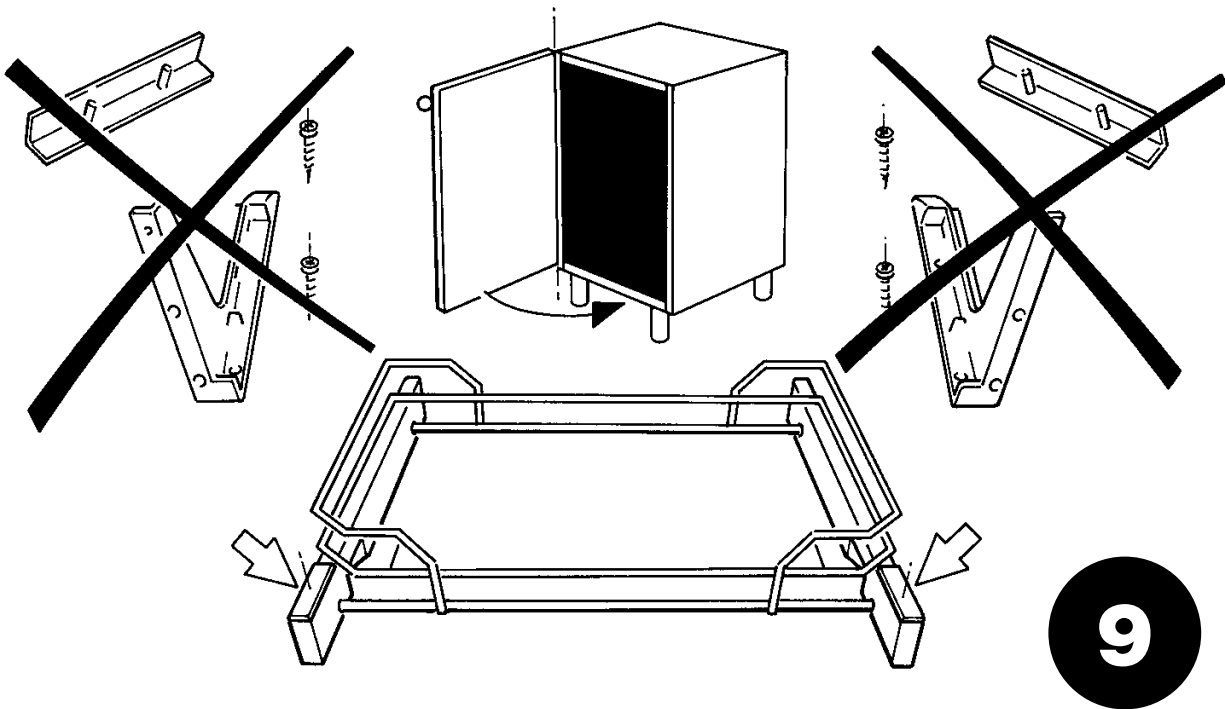




ADJUST WIDTH BETWEEN SLIDES, DIMENTION "L" AS SHOWN IN THE FOL-LOWING TABLET:

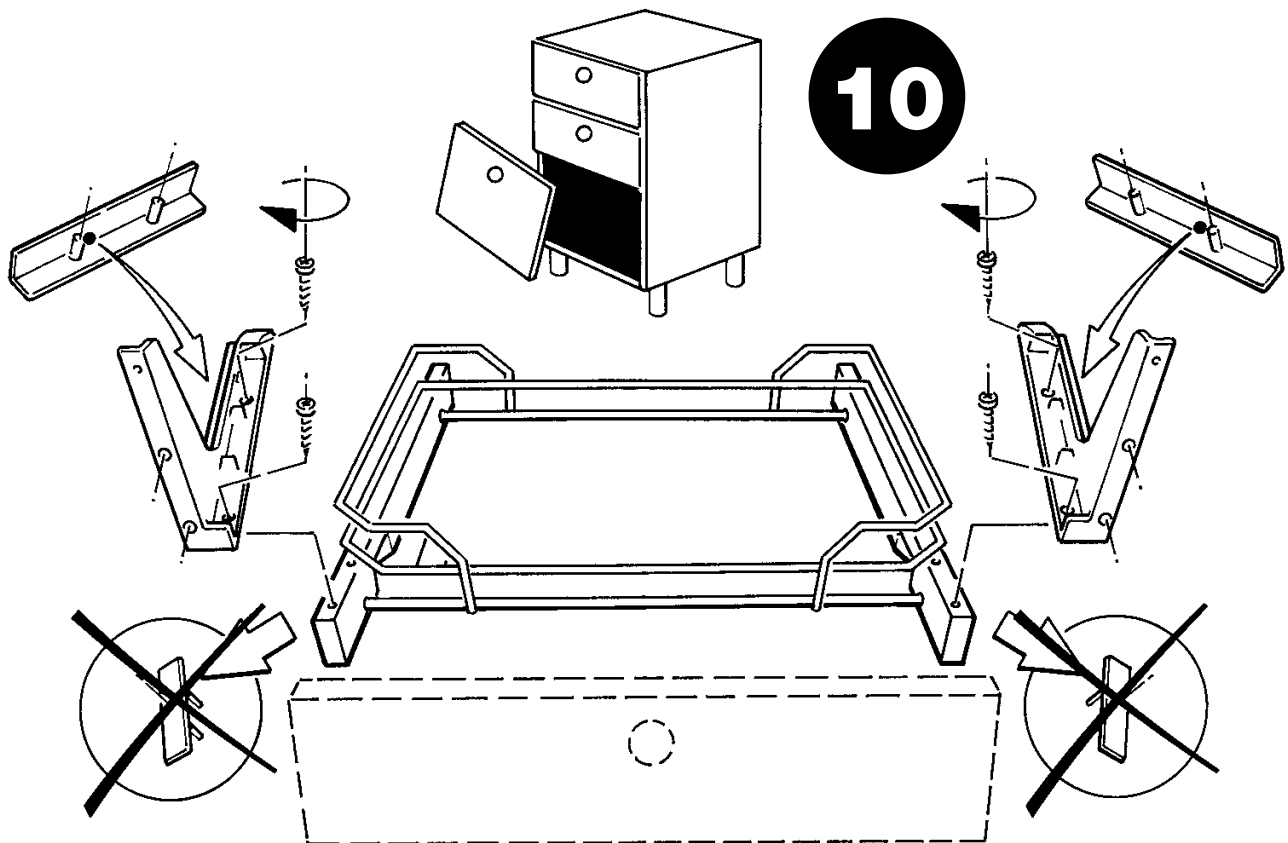
DIMENTION CABINET	DIMENTION "L"
15"	11 3/8"
18"	14 3/8"
24"	20 3/8"
36"	32 3/8"

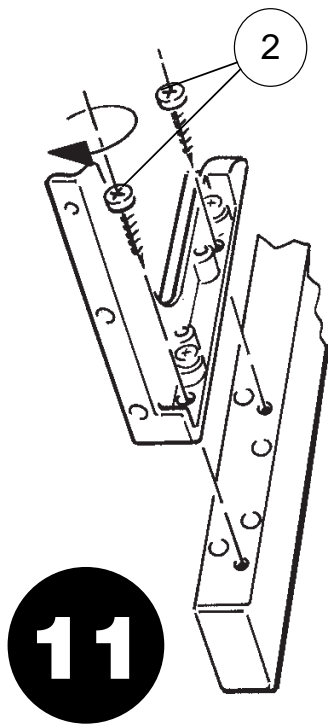
FRONT DOOR WITH HINGES



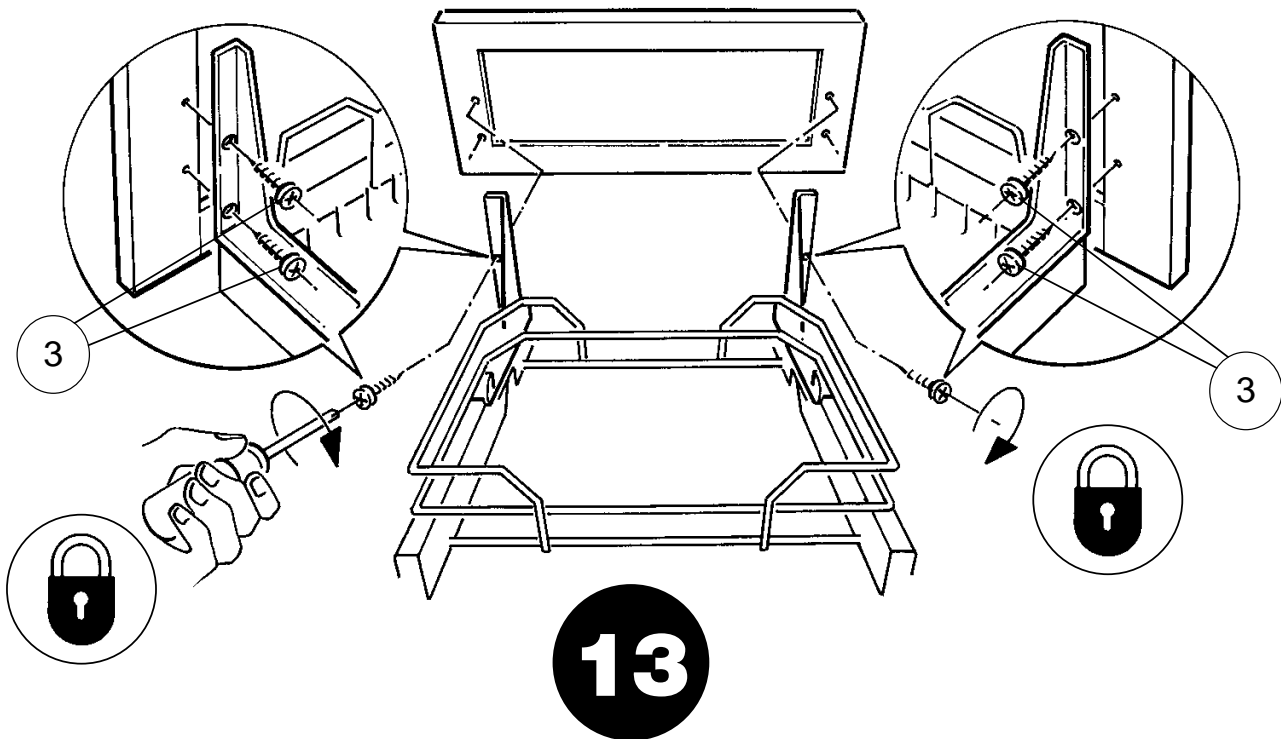
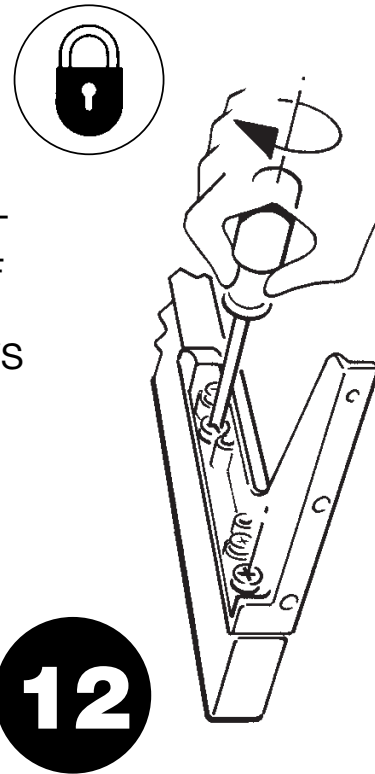
INSTALL RECTANGULAR COVER OVER ALLUMINIUM SLIDE COVER

FRONT DOOR APPLIED TO PULL-OUT BASKET

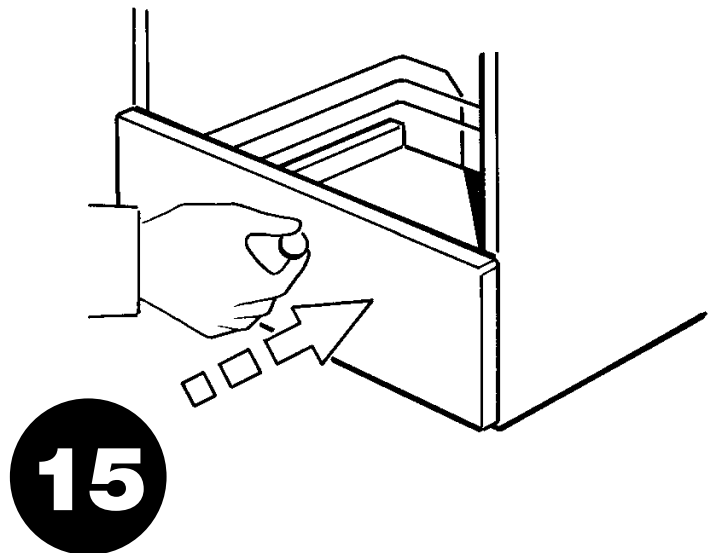
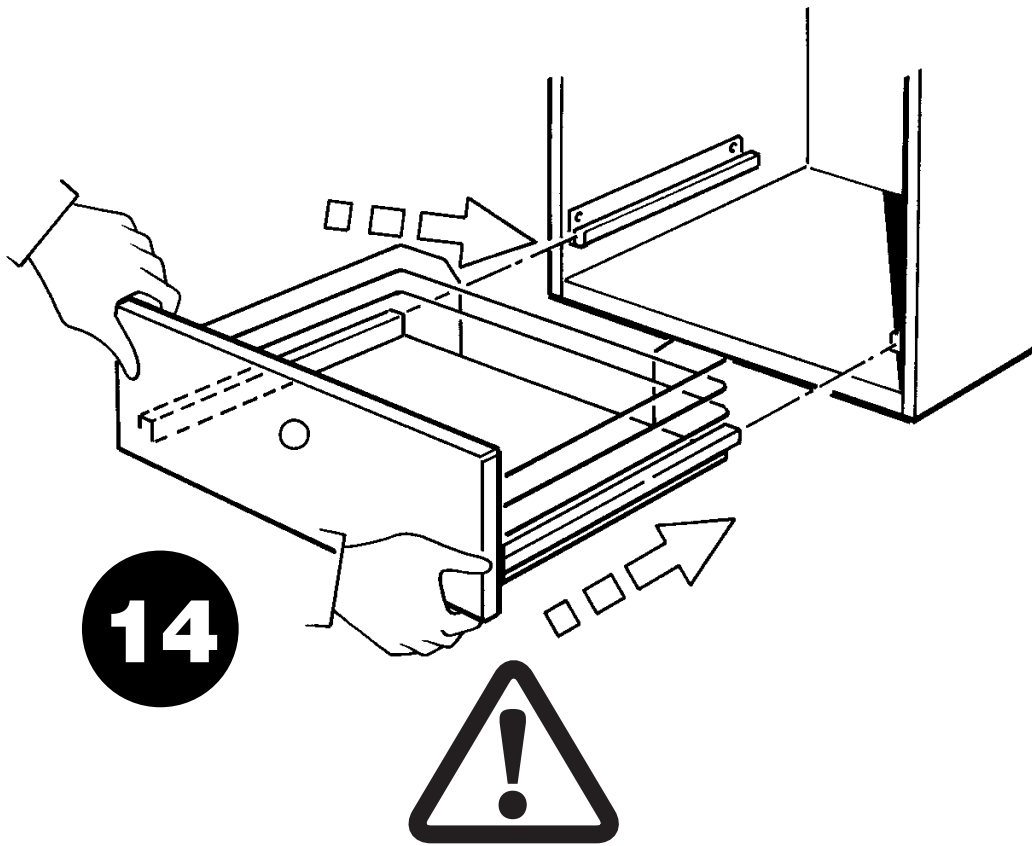




ATTACH DOOR MOUNT
BRACKETS TO TOP OF
ALLUMINIUM SLIDE
COVER USING SCREWS

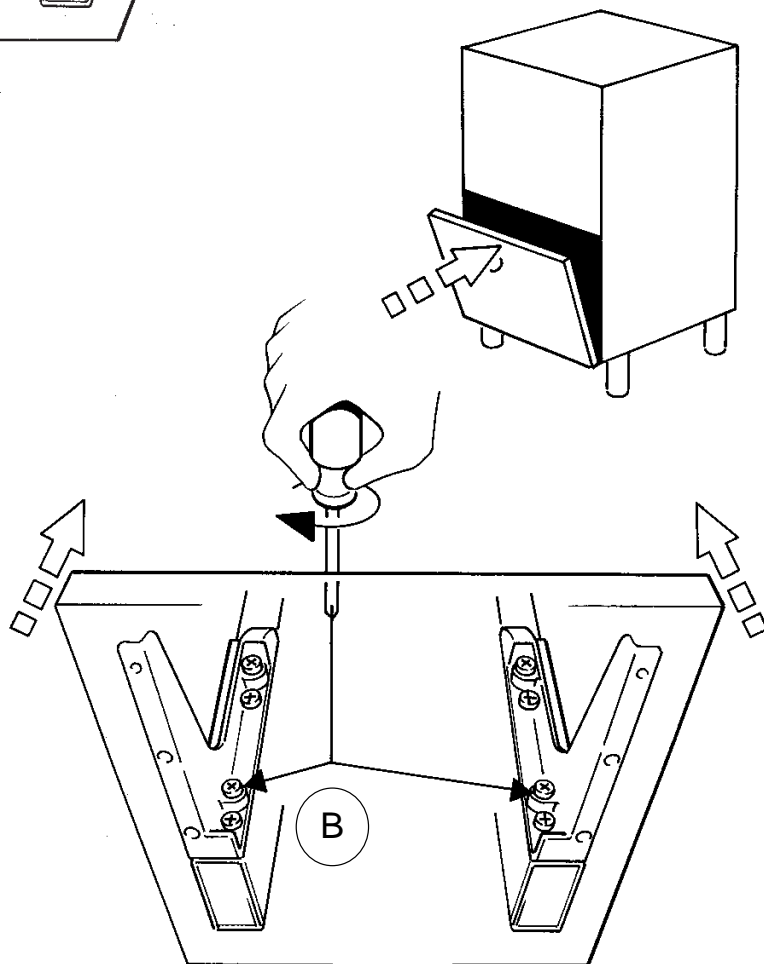
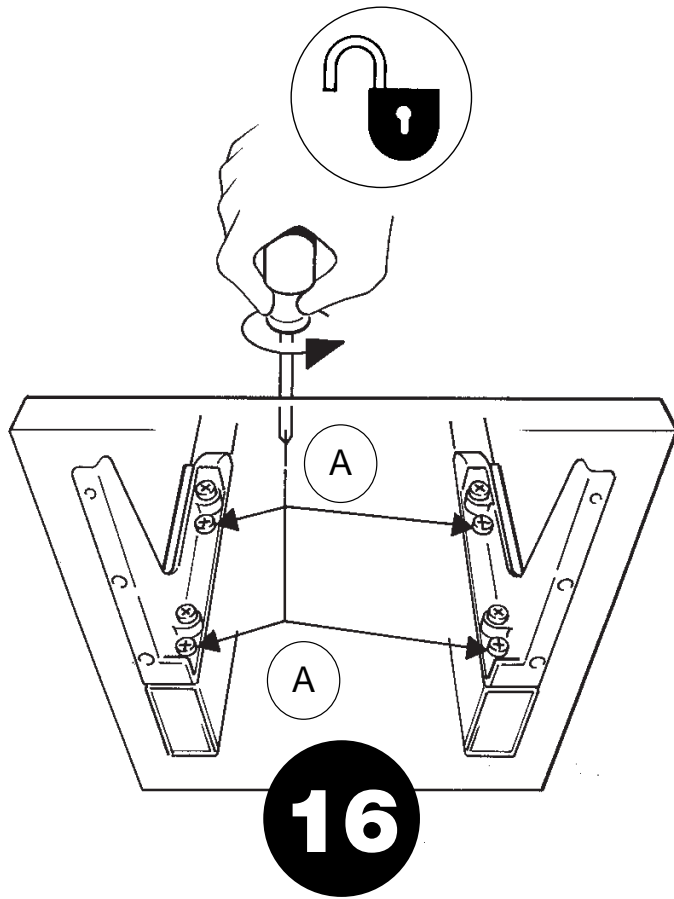


ATTACH BASKET WITH BRACKETS TO CABINET DOOR. BE SURE UNIT IS
CENTERED SIDE TO SIDE AND AT THE PROPER HEIGHT TO ALLOW PROPER
OVERHANG OF DOOR AT TOP AND BOTTOM.

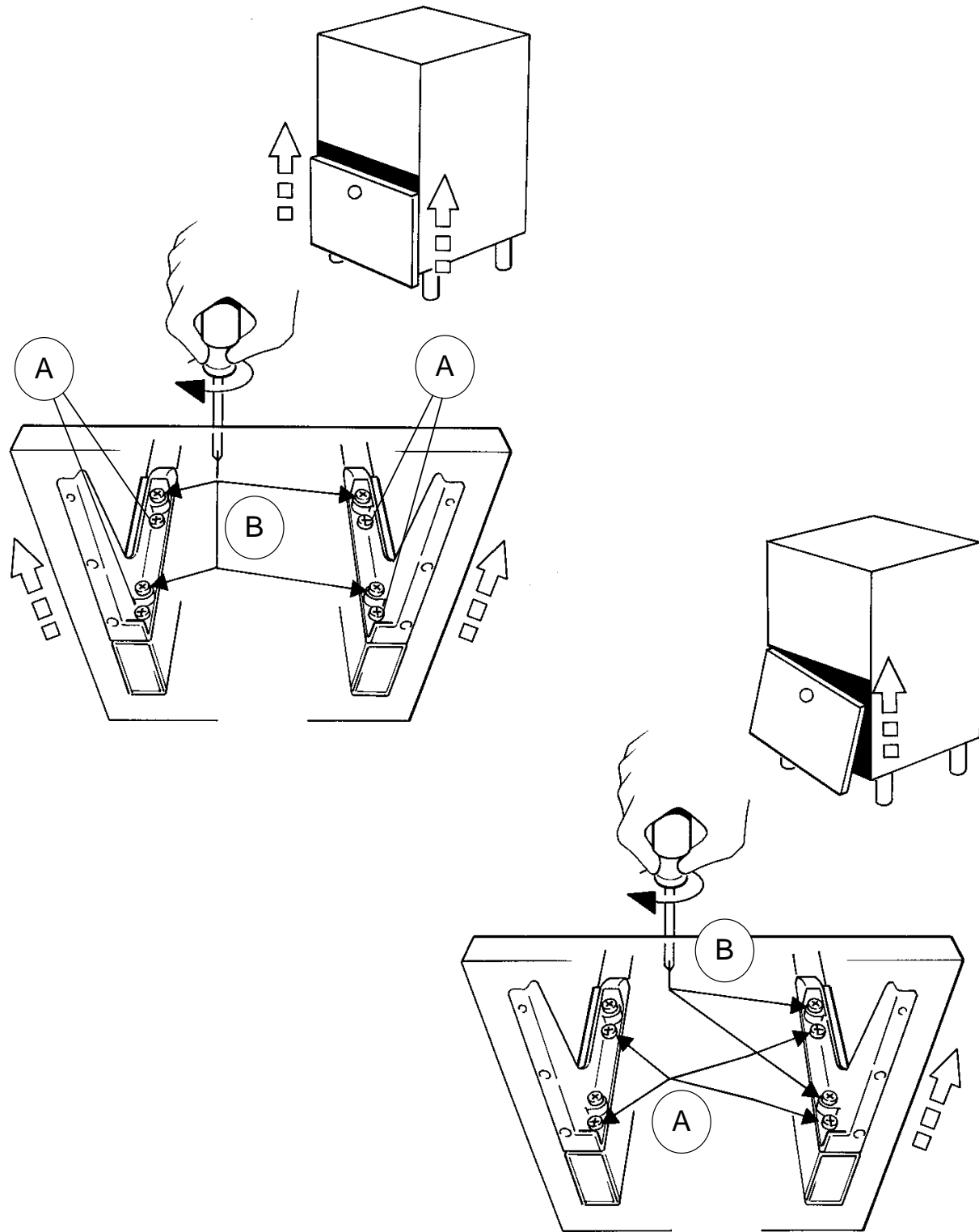


WITH SLIDES IN CLOSED POSITION, SET UNIT ON SLIDES AND PUSH IN AS FAR AS IT WILL GO. THIS WILL ENGAGE LOCK ON TO SLIDES.

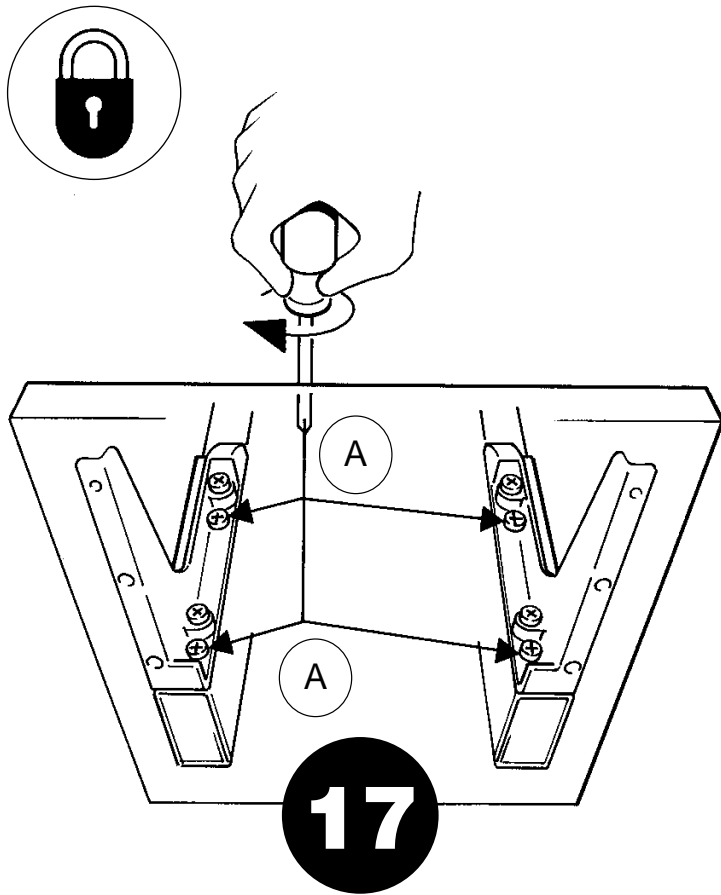
ADJUSTING THE FRONT DOOR



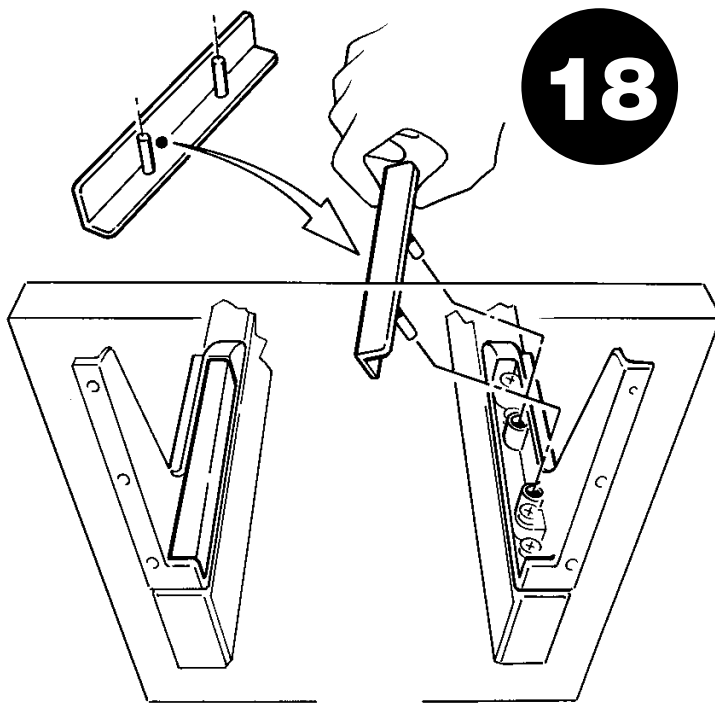
WHEREAS TO TILT TOP OF DOOR OUT,
LOOSEN ATTACHMENT SCREWS (A), TIGHTEN
BACK ADJUSTMENT SCREWS (B)



TO RAISE DOOR, LOOSEN ATTACHMENT SCREWS (A) AND TIGHTEN ADJUSTMENT SCREWS (B). TO LEVEL DOOR, RAISE LOW SIDE ONLY UNTIL DOOR IS LEVEL.

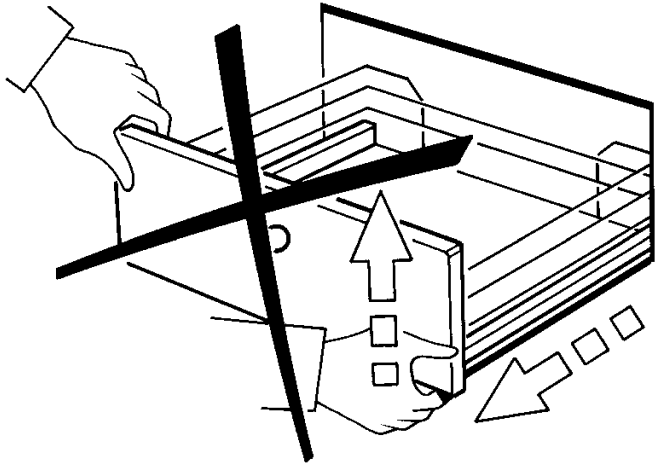


RE-TIGHTEN
ATTACHMENT SCREWS (A).



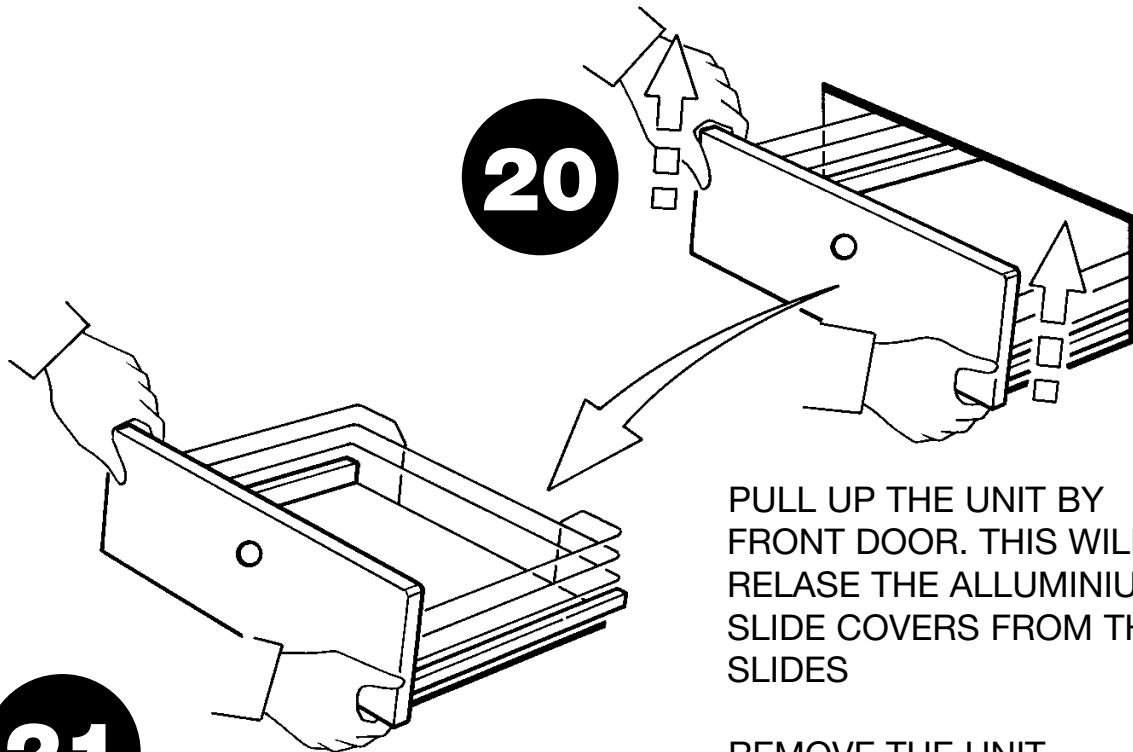
INSTALL SNAP ON COVER OVER ATTA-
CHMENT AND ADJUSTMENT SCREWS.

REMOVING THE UNIT



19

PULL UP THE UNIT NO MORE THAN 1/3 OF THE DEPTH (7" APPROX.)



20

PULL UP THE UNIT BY FRONT DOOR. THIS WILL RELEASE THE ALLUMINIUM SLIDE COVERS FROM THE SLIDES

21

REMOVE THE UNIT

Note: _____



If you have any questions or would like additional information on the rest of our products, please contact our Customer Service Specialists between 8 Am and 5Pm Eastern Time at:

1-800-626-1126