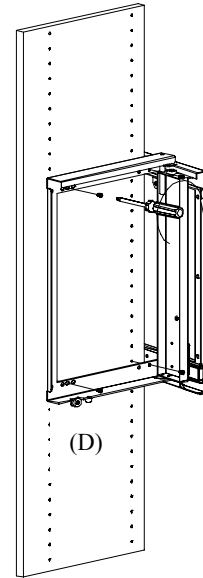
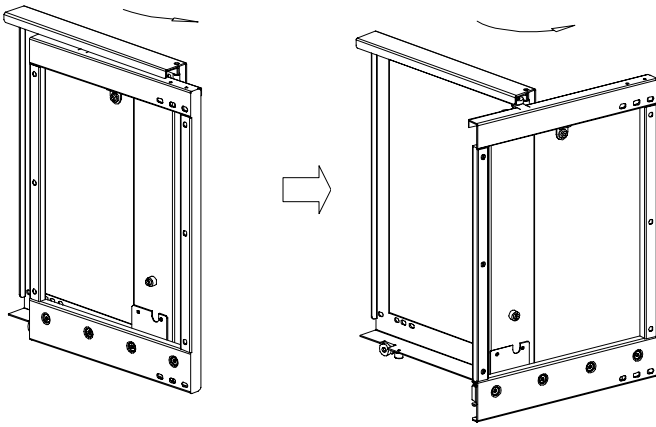


## HARDWARE INSTALLATION INSTRUCTION FOR CLOSET MIRROR AND IRONING BOARD FOR S07735GS-1 (Opening Right)

Step 1: Pull-out the mechanism and swivel.

Step 2: Attach to partition using 4 Euro Screws (D)

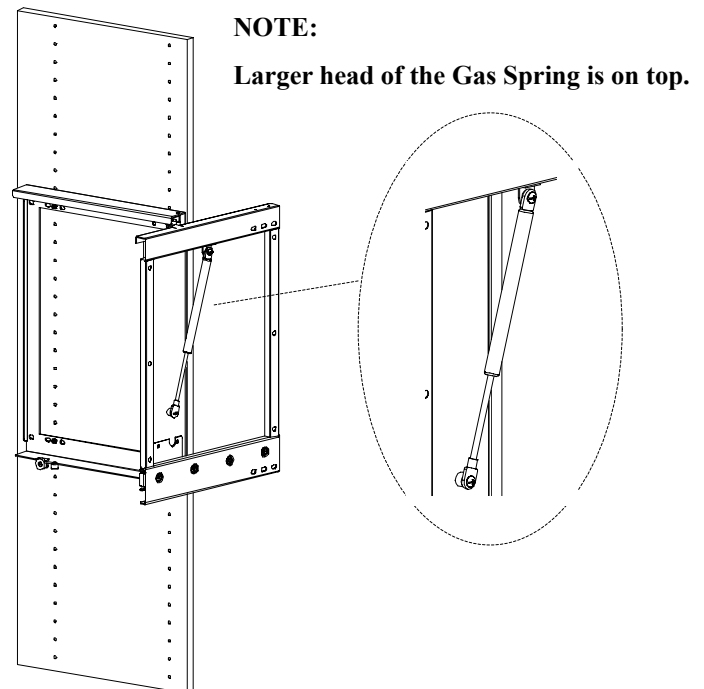
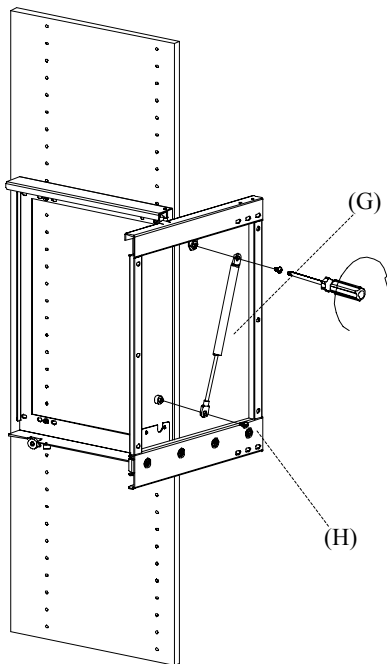
(A)



Step 3: Attach Gas Spring using 2 screws (H) provided.

Step 4: Finished

Make sure the larger head of the Gas Spring is positioned on top.



Type	Q'ty	Type	Q'ty	Type	Q'ty	Type	Q'ty	Type	Q'ty	Type	Q'ty
A	1pc	C	6pcs	D	4pcs	E	6pcs	G	1pc	H	2pcs

**\*USE OF GAS SPRING IS OPTIONAL**