

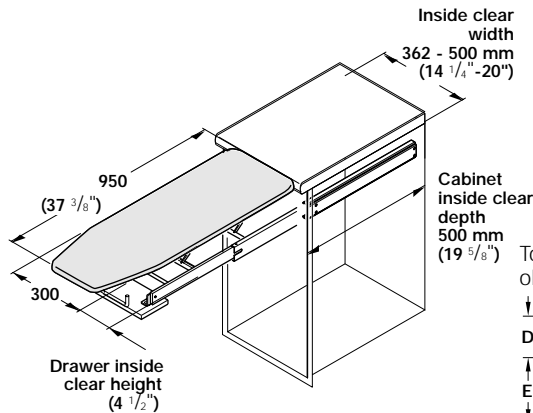
## Built-in Ironing Boards

### Ironfix™ built-in ironing board

- space-saving, cabinet drawer installation.
- continuous width adjustment--for inside clear widths of 362-500 mm (14 1/4"-20")
- inside clear depth 500 mm (19 5/8").
- integrated spring mechanism.
- drawer front folds down clearing the way for trousers, shirts.
- rugged design--all hardware is epoxy-coated metal.
- support extends automatically as ironing board is pulled out.
- installation and operating instructions included.

### Ironfix™ built-in ironing board

Kit includes installation hardware, including: 2 cabinet rails, 1 collapsible ironing board support system with folding ironing board and 2-part pull-out runners.



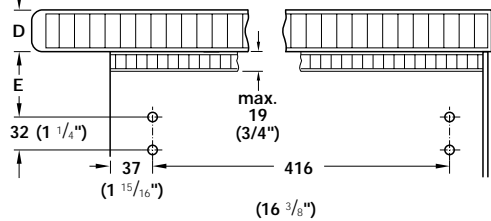
Finish:  
Steel, epoxy-coated, RAL 9016 white; heat-resistant striped fabric-covered ironing surface

Cat. No. 568.60.710

Packing: 1 pc.



To match ironing surface to countertop height, observe the following dimensions:



D (mm)	20 (7/8")	30 (1 1/8")	40 (1 1/2")	50 (2")
E (mm)	86 (3 3/8")	76 (3")	66 (2 1/2")	66 (2 1/2")

**Replacement heat-resistant cover** for ironing board features elastic band, natural white cotton, gray striped, foam-backed.

Cat. No. 568.60.907

Packing: 1 pc.

### Sleeve board

optional: retrofits easily to Ironfix™ built-in ironing board (Cat. no. 568.60.710)

Color	Cat. No.
white RAL 9016	568.61.700

Packing: 1 pc.

**Replacement heat-resistant cover** for sleeve board features elastic band, natural white cotton, gray striped, foam-backed.

Cat. No. 568.60.916

Packing: 1 pc.

## 5 Kitchen Accessory Systems



Dimensional data not binding. We reserve the right to alter specifications without notice.