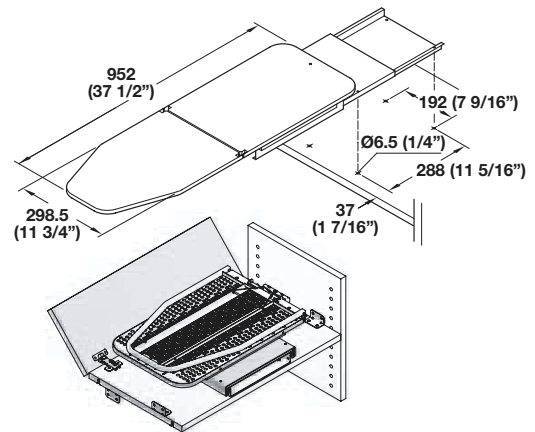


**Ironing Boards**

**Ironfix® Shelf-mounted**

- Fits into a 24" wide x 14" deep space
- Rotates 180° degrees with seven pre-set positions
- Due to the absence of ball bearing slides, clothing remains free from grease or pinch point damage
- Mounts to a shelf with through bolts (included)



**Ironfix™ shelf-mounted ironing board**

- Height: 130 mm (5 1/8")
- Width: 520 mm (20 1/2")
- Depth: 350 mm (13 3/4")
- Extended board length is 952 mm (37 1/2")
- Material: steel, epoxy-coated
- Cover: natural white cotton with gray stripes, foam backed

Color	Item No.
white RAL 9016	568.60.781

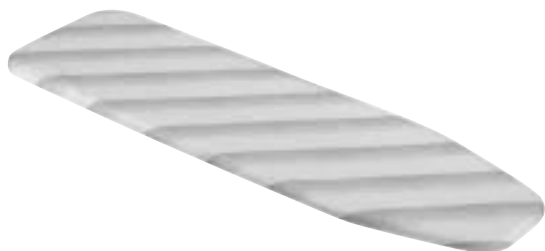
Packing: 1 set (includes installation hardware)

**Replacement heat resistant cover**

- For ironing board with elastic band
- Material: natural cotton, foam backed

Color	Item No.
white/gray striped	568.60.907

Packing: 1 pc.



Dimensions in mm  
Inches are approximate

**1064 A**