

IRON-A-WAY®

Built-In Ironing Centers

SPECIFICATIONS

Product Model Number
Ironing Center:
NE-242

• Dimensions (Actual Size) •

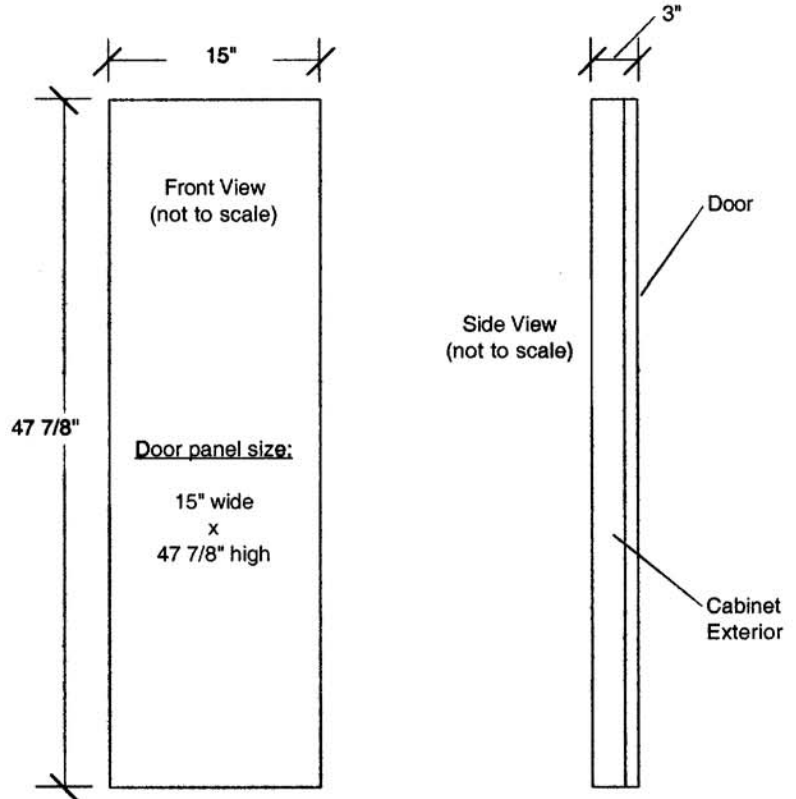
Overall height: 47 7/8"

Overall width: 15"

Overall depth including door: 3"

• Additional Information •

- Unit may be surface mounted only (unit extends approximately 3" into room)
- See table to the right to determine desired ironing board height above the floor.
- Unit can be provided with a left hinged door upon request. Right hinge is standard.
- Comes standard with birch veneer door.
- Door opens approximately 180°. Allow at least 16" to the side of the unit for door to swing open (door hinges on full length piano hinge)
- Options include: Oak raised panel door, maple raised panel door, pine raised panel door, white raised panel door, flat white door, plate glass mirrored door and no door at all, sleeveboard.



Height Adjustments	
Cut opening above floor:	Board Height
32"	38"
31"	37"
30"	36"
29"	35"
28"	34"
27"	33"
26"	32"
25"	31"
24"	30"
23"	29"
22"	28"

Page 2

Measurements when board is lowered (not to scale)

- Door opens approximately 180°. Allow at least 16" to the side of the unit for door to swing open (door hinges on full length piano hinge)
- Unit can be provided with a left hinged door (without garment hook) upon request. Right hinge is standard.

