



"BT1S" Maple Top Work Tables

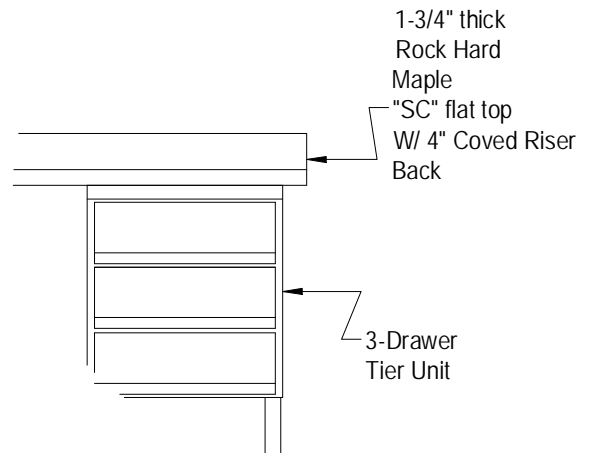
w/ 1 3/4" thick Hard Rock Maple Top
w/ 3- Drawer Tier Unit
w/ Stainless Steel Base



1-3/4" Maple Top w/ 4" Coved Riser	
30" WIDE	Qty
BT1S01	
BT1S02	
BT1S03	
BT1S03A	
BT1S04	

FEATURES:

- * 1 3/4" Thick Hard Rock Maple Top top style "SC" flat top w/ 4" Coved Riser Back
- * Maple top is finished with penetrating oil with optional natural clear Varnique Finish
- * Stainless Steel Base and Bracing Type 300 stainless steel with # 4 polish, satin finish
- * Adjustable bullet feet
- * Shipped Standard K.D.
- * Optional drawers, casters, pot racks, etc. available
- * All models are approved by the National Sanitation Foundation



CONSTRUCTION:

Base: Stainless Steel Bases are TIG welded, Exposed welds are polished to match adjacent surface.

MATERIAL:

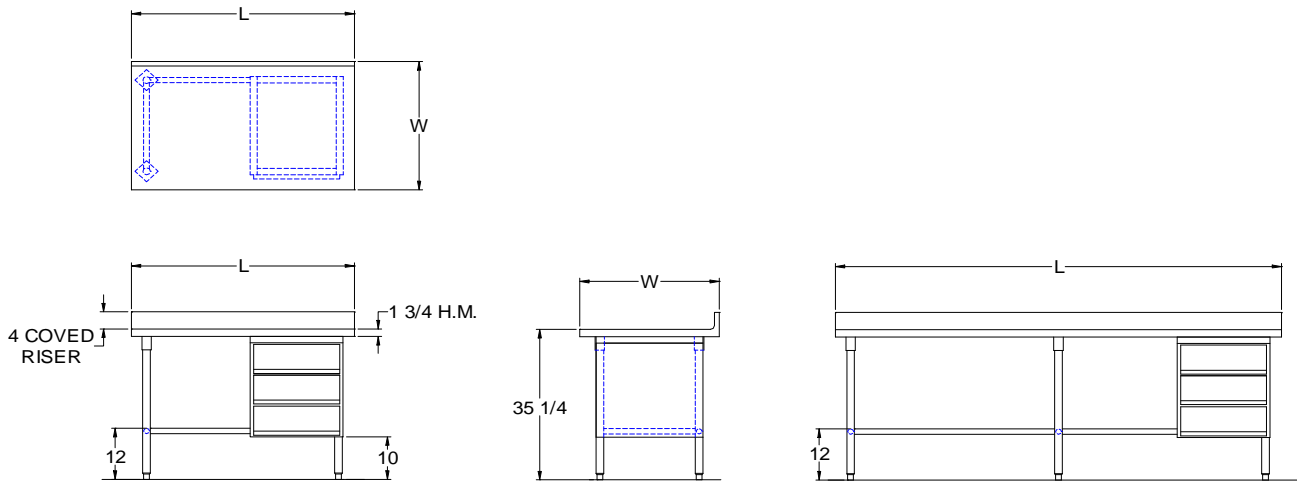
- Top: Laminated Hard Rock Maple
- Drawer Panels - 22 gauge
- Unit: Front Drawer Pulls - 14 gauge Reinforced with 1-1/2" Square O.D. tubing
*All type 300 stainless steel, # 4 polish, satin finish
- Bracing: 1 1/4" Round O.D. 18 gauge type 300 tubular stainless steel # 4 polish, satin finish
- Legs: 1 5/8" Round O.D., 16 gauge type 300 tubular stainless steel #4 polish, satin finish
- Gussets: Stainless Steel
- Feet: 1" adjustable stainless steel bullet feet

OPTIONAL ACCESSORIES

	MODEL #	Qty
DRAWER LOCK		
CASTERS		
OVERSHELVES		
POT RACK		

John Boos & Co

DETAILED SPECIFICATIONS



Shipped Knocked Down
Units 7 ft. and larger are furnished with six legs.
All dimensions are typical.
Tolerance +/- .500".

1-3/4" Flat Top w/ 4" Coved Riser Back

48	BT1S01	150
60	BT1S02	170
72	BT1S03	193
84	BT1S03A	217
96	BT1S04	241

John Boos & Co



July 2013

John Boos is constantly engaged in a program of improving products and therefore reserves the right to change specification without prior notice