



AUTOQUOTES



30" WIDE	Qty
BTNS01	
BTNS02	
BTNS03	
BTNS3A	
BTNS04	

**FEATURES:**

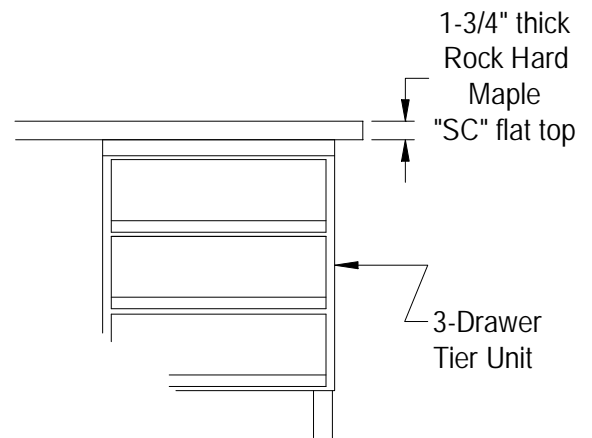
- \* 1 3/4" Thick Hard Rock Maple Top  
top style "SC" flat top
- \* Maple top is finished with penetrating oil  
with optional natural clear Varnique Finish
- \* Stainless Steel Base and Bracing  
Type 300 stainless steel with # 4 polish, satin finish
- \* Adjustable bullet feet
- \* Shipped Standard K.D.
- \* Optional drawers, casters, pot racks, etc. available
- \* All models are approved by the National Sanitation Foundation

**CONSTRUCTION:**

Base: Stainless Steel Bases are TIG welded, Exposed welds are polished to match adjacent surface.

**MATERIAL:**

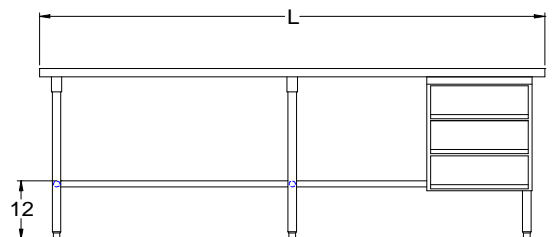
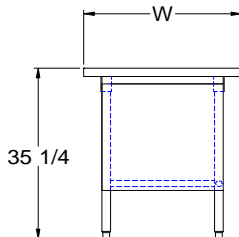
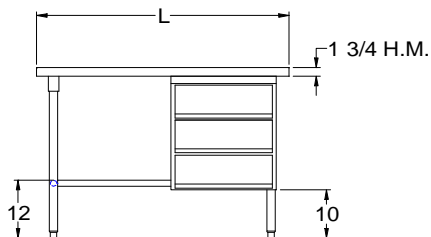
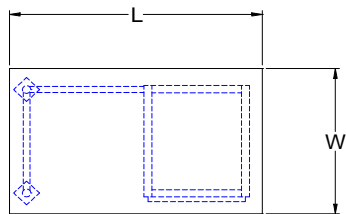
- Top: Laminated Hard Rock Maple
- Drawer Panels - 22 gauge
- Unit: Front Drawer Pulls - 14 gauge  
Reinforced with 1-1/2" Square O.D. tubing  
\*All type 300 stainless steel, # 4 polish, satin finish
- Bracing: 1 1/4" Round O.D. 18 gauge type 300 tubular stainless steel  
# 4 polish, satin finish
- Legs: 1 5/8" Round O.D., 16 gauge type 300 tubular stainless steel  
# 4 polish, satin finish
- Gussets: Stainless Steel
- Feet: 1" adjustable stainless steel bullet feet



**OPTIONAL ACCESSORIES**

	MODEL #	Qty
DRAWER LOCK		
CASTERS		
OVERSHELVES		
POT RACK		

**John Boos & Co**



Shipped Knocked down  
Units 7 ft. and larger are furnished with six legs.  
All dimensions are typical.  
Tolerance +/- .500".

**1-3/4" Maple Top**

48	BTNS01	129
60	BTNS02	150
72	BTNS03	171
84	BTNS03A	193
96	BTNS04	215

**John Boos & Co**



John Boos is constantly engaged in a program of improving products and therefore reserves the right to change specification without prior notice  
July 2013