

# STAINLESS STEEL & PLASTIC UTILITY CARTS



150 lb. Capacity

**FEATURES:**

Knock Down Unit.  
 4" Swivel Casters  
 Sound dampening pads affixed to shelving bottom.  
 Adjustable shelves furnished with 1 1/4" x 1" square die embossed NO-DRIP countertop edge with 1/2" return on four sides.

**CONSTRUCTION:**

Unit assembles using tapered split sleeves.  
 Set of four 4" swivel casters includes two casters with brakes and 4 donut bumpers.

**MATERIAL:**

**SHELVES:** Heavy gauge stainless steel.  
**TUBING:** chrome post.

Model #	A	B	Length	Width	Wt.
SN-KI1901	18"	27"	34 1/2"	18"	27 lbs.
SN-KI1902	24"	33"	40 1/2"	24"	35 lbs.

Item #: \_\_\_\_\_ Qty #: \_\_\_\_\_

Model #: \_\_\_\_\_

Project #: \_\_\_\_\_



**FEATURES:**

K.D. Unit.  
 4" Swivel Casters, 2 with brakes.  
 3 shelves with 1/4" retaining lip all sides.  
 150 lb. weight capacity.  
 Easy to assemble.

**CONSTRUCTION:**

Injection molded thermoplastic.

**MATERIAL:**

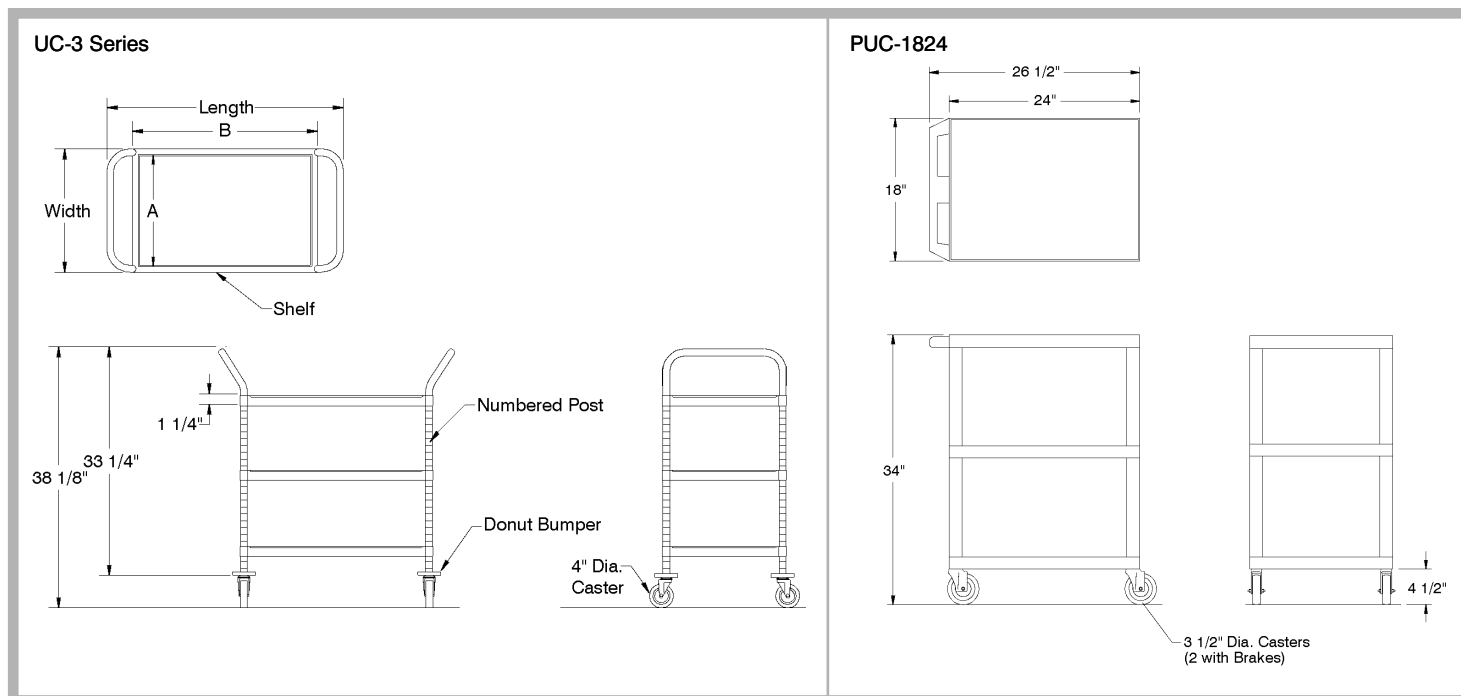
Black thermoplastic.

MODEL #	Length	Width	Wt.
SN-KI1907	26 1/2"	18"	28 lbs.

## DETAILS and SPECIFICATIONS

TOL ± .500"

ALL DIMENSIONS ARE TYPICAL



Stainless Craft at