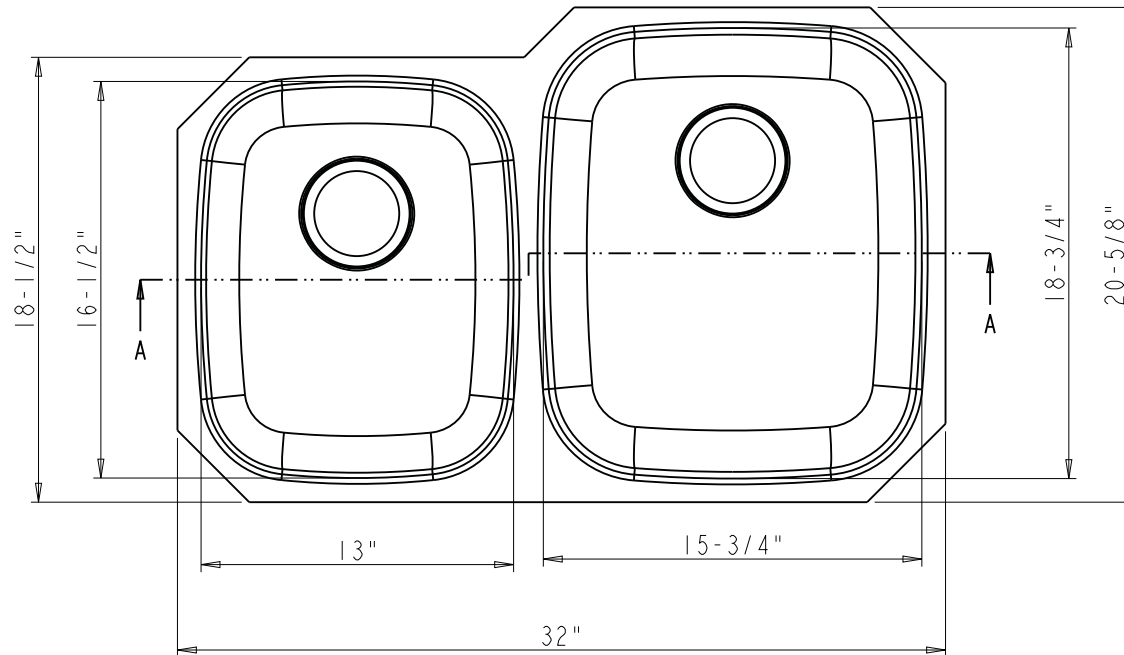
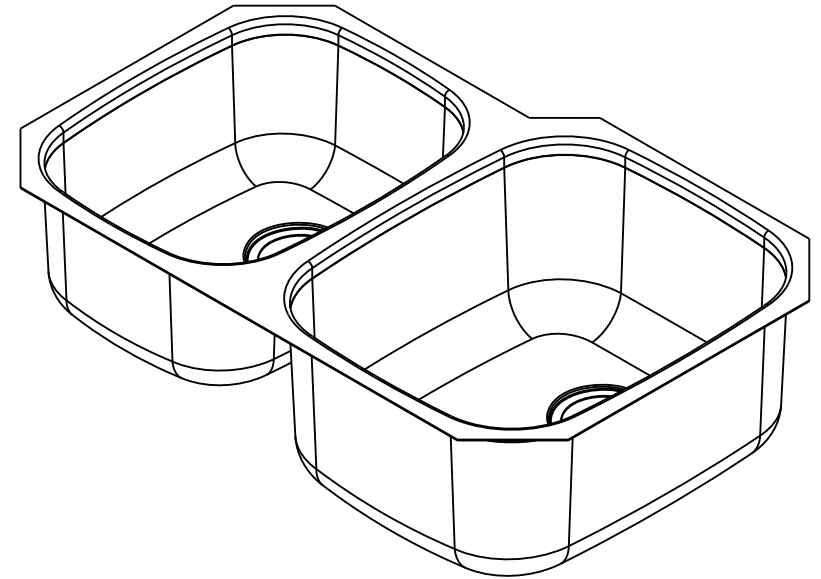


SECTION A-A  
SCALE 1:8



	ITEM#: 801R-18		MATERIAL: 18 Gauge, 304SS		
	FINISH:		WEIGHT: 9		
<p><b>PROPRIETARY AND CONFIDENTIAL</b></p> <p>THE INFORMATION CONTAINED IN THIS DRAWING IS THE SOLE PROPERTY OF HARDWARE RESOURCES INC. ANY REPRODUCTION IN PART OR AS A WHOLE WITHOUT THE WRITTEN PERMISSION OF HARDWARE RESOURCES INC. IS PROHIBITED.</p>	<p>TOLERANCE UNLESS OTHERWISE SPECIFIED:</p> <p>X ±0.20</p> <p>X.X ±0.10</p> <p>X.XX ±0.05</p> <p>ANGULAR: ±0.5°</p>		<p>UNITS:</p>	<p>DRAWN BY:</p> <p>Hugo.cai</p>	<p>DATE:</p> <p>12-24-15</p>
	DO NOT SCALE DRAWING		<p>SIZE:</p>	<p>APPROVED BY:</p>	<p>DATE:</p>
			<p>SHEET:</p>	<p>RELEASE LEVEL:</p>	<p>REVISION:</p>
			<p>PROJECTION </p>		