

MEDALLION CLASSIC SERIES

Undermount 60/40 Double Bowl

Model MEC-3220SR as shown

MEC-3220SL small bowl left



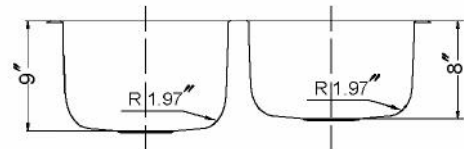
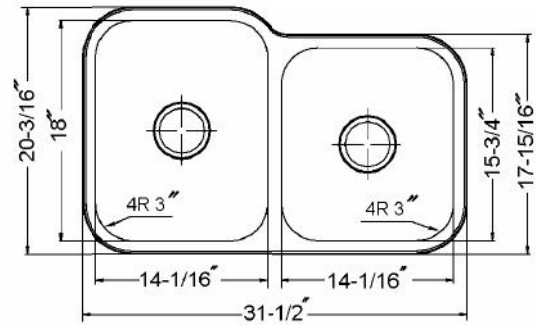
MEC-3220SR

FEATURES

- Premium grade T-304 stainless steel
- 9" & 8" depth • 18 gauge
- StoneGuard™ undercoating over Super-Silencer pad
- SpecPlus™ edge
- Lustrous satin with highlighted rim
- Fits 36" sink base • 3-1/2" drain opening
- Supplied with cutout template, fasteners and instructions
- Complies with ASME A112.19.3-2000, UPC®
- Lifetime Limited Warranty



ASME A112.19.3-2000



OPTIONAL ACCESSORIES

Bottom Grid: BG-3100 & BG-3400

Cutting Board : CB-3100

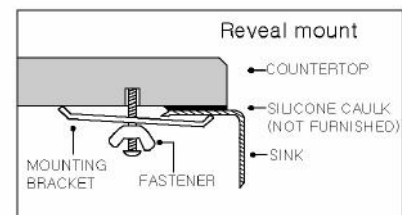
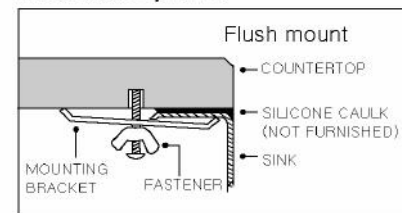
Rinsing Basket: RB-3100

Strainer: 190-9180

OVERALL DIMENSIONS	EACH BOWL	CUTOUT SIZE	PACKAGING*	WEIGHT*
31-1/2" x 20-3/16"	14-1/16" x 18" 14-1/16" x 15-3/4"	See Template	1/16/20 pcs.	20/350/400 lbs.

*Standard packaging: Single boxed /Pallet of single boxed/Pallet of bulk pack.
All dimensions are in inches. Specifications subject to change without notice.

Installation profile



Project/Job name _____

Architect/Engineer _____

Contractor _____

Model _____ Q'ty _____

Notes _____