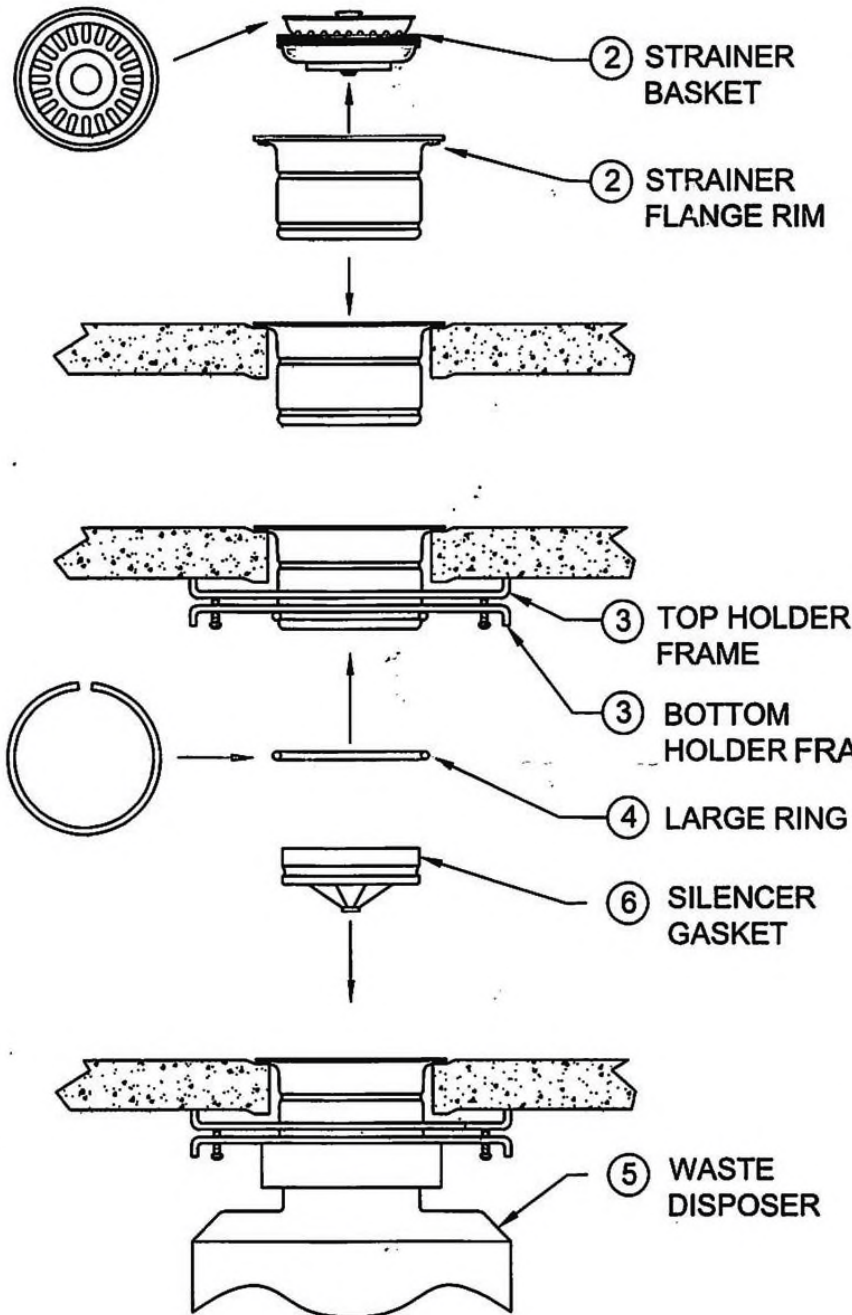




KITCHEN SINK STRAINER FOR SINKS UP TO 1 3/4" THICK

INSTALLATION SHEET

FITS ALL THREE BOLT MOUNT DISPOSERS: INSINKERATOR (INCLUDING EVOLUTION SERIES), KENMORE, MAYTAG, ACE, JEN-AIR, KITCHEN AID AND SELECT WHIRLPOOL



- ① READ THE INSTRUCTIONS FOR THE WASTE DISPOSER FULLY BEFORE INSTALLING THE STRAINER ASSEMBLY.
- ② REMOVE THE BASKET. APPLY A SMALL AMOUNT OF NON-ACID SILICONE UNDER THE RIM OF STRAINER FLANGE AND PUSH DOWN INTO SINK.
- ③ SLIDE THE TOP DISPOSER HOLDER FRAME AND THE BOTTOM HOLDER FRAME WITH SCREWS ONTO THE FLANGE BOTTOM. VERIFY THE FLANGE IS IN THE CENTER OF THE SINK HOLE.
- ④ INSTALL THE LARGE RING INTO THE GROOVE OF THE FLANGE. MAKE SURE IT SNAPS FULLY INTO THE FLANGE GROOVE. TIGHTEN THE SCREWS.
- ⑤ COMPLETE WASTE DISPOSER INSTALLATION.
- ⑥ INSTALL THE SILENCER GASKET FULLY SO THAT THE GASKET GROOVE SNAPS ONTO THE FLANGE BEAD.
- ⑦ REPLACE THE STRAINER BASKET.

WARRANTY

ONE YEAR WARRANTY ON PLATED FINISHES, 90 DAY WARRANTY ON ORB, VB BEEN USED. ONE YEAR WARRANTY ON ALL PARTS. CLAIMS REQUIRE PROOF OF PURCHASE.

FINISH CARE & MAINTENANCE

NEVER USE ANY HARSH ALKALI, ACID BASED DETERGENTS OR CLEANERS SUCH AS SOFT SCRUB[®], SCRUBBING BUBBLES[®] OR COMET[®] TO CLEAN. DO NOT USE BRILLO[®] AND SCOTCH BRITE[®] PADS. THESE WILL ALL HARM THE FINISH. TO CLEAN, USE ONLY A DAMP SOFT CLOTH AND WIPE USING A SOFT CLOTH. STANDARD WINDEX[®] CAN ALSO BE USED SPARINGLY. IT IS NOT NECESSARY TO WIPE HARD TO REMOVE SPOTS. TO MAINTAIN THE FINISH, WIPE WITH A SOFT DRY CLOTH AFTER USE. AN OCCASIONAL COAT OF PURE CARNUBA WAX WITHOUT CLEANERS WILL HELP PROTECT THE FINISH.