

PREMIERE GOURMET SERIES

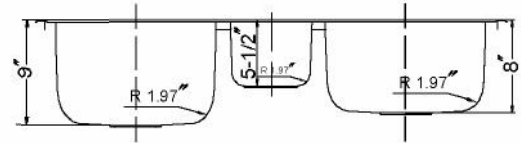
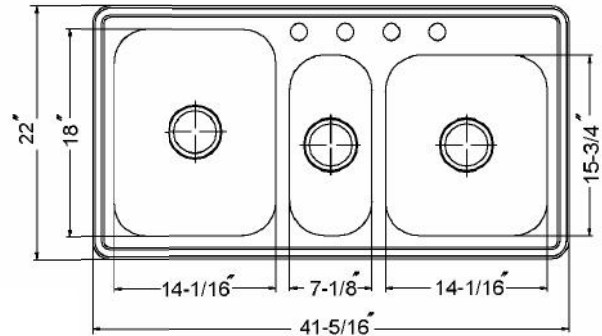
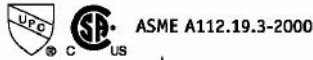
**Topmount Triple Bowl
Model PGT-4322**



PGT-4322

FEATURES

- Premium grade T-304 stainless steel
- 9", 5-1/2" & 8" depth • 18 gauge • 4 holes
- StoneGuard™ undercoating over Super-Silencer pad
- Lustrous satin with highlighted rim
- Fits 45" sink base • 3-1/2" drain opening
- Supplied with fasteners and instructions
- Complies with ASME A112.19.3-2000, UPC®
- Lifetime Limited Warranty



OPTIONAL ACCESSORIES

- Bottom Grid: BG-1100, BG-3100& BG-3400 Rinsing Basket: RB-3100
Cutting Board : CB-3100 Strainer: 190-9180
Colander : CL-1120

OVERALL DIMENSIONS	EACH BOWL	CUTOUT SIZE	PACKAGING*	WEIGHT*
41-5/16" x 22"	14-1/16" x 18" 7-1/8" x 15-3/4" 14-1/16" x 15-3/4"	See Template	1/10/20 pcs.	31/380/600 lbs.

*Standard packaging: Single boxed /Pallet of single boxed/Pallet of bulk pack.
All dimensions are in inches. Specifications subject to change without notice.

Project/Job name _____
 Architect/Engineer _____
 Contractor _____
 Model _____ Q'ty _____
 Notes _____

Installation profile

