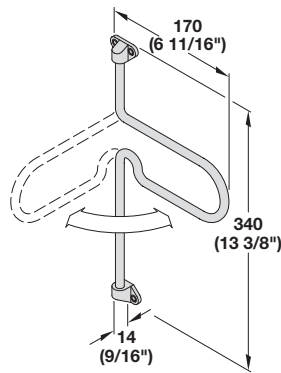


Tie and belt holder, pivotable
for screw-mounting
90° pivoting range
Holders are offset
Finish: steel, chrome-plated
Mounts: zinc die-cast, chrome-plated

Cat. No. 807.16.212

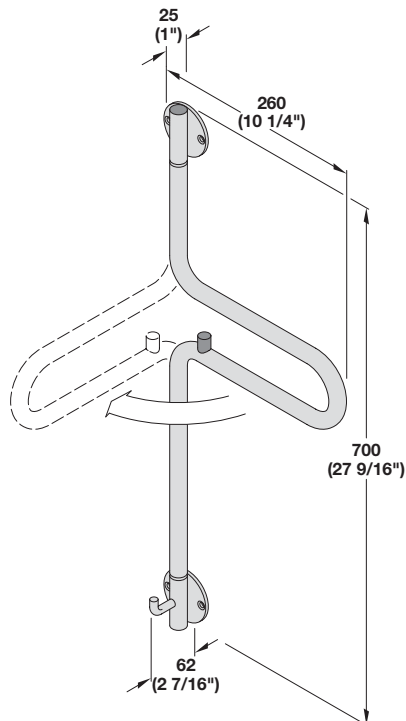
Packing: 1 pc. (including screws)



Swing Wardrobe rail, pivotable
for screw-mounting
180° pivoting range
Finish: steel, chrome-plated
Mounts: zinc die-cast, chrome-plated

Cat. No. 805.40.209

Packing: 1 pc. (including screws)



Swing wardrobe rail, pivotable
for screw-mounting
180° pivoting range
Finish: steel, chrome-plated
Mounts: plastic, black

Cat. No. 805.40.254

Packing: 1 pc. (including screws)

**Organizational Products
for Kitchen, Bath, Closet
and Home Entertainment**

Dimensional data not binding.
We reserve the right to alter
specifications without notice.