

Wire Basket Pull-Outs

Wire basket with steel rim for 24 inside cabinet width, with use of optional 423.35 slides only.

Finish: steel wire, epoxy-coated, white

586 (23") width x 300 (11⁷/₈") depth

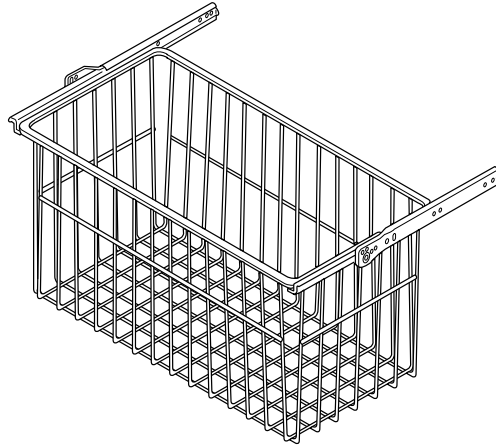
Height mm	Packing	Cat. No.
200 (7 ⁷ / ₈ ")	10 pcs.	540.41.717
300 (11 ⁷ / ₈ ")	10 pcs.	540.41.726
500 (19 ⁷ / ₈ ")	5 pcs.	540.41.735

586 (23") width x 350 (13⁷/₈") depth

Height mm	Packing	Cat. No.
100 (4")	10 pcs.	540.41.646
200 (7 ⁷ / ₈ ")	10 pcs.	540.41.655
300 (11 ⁷ / ₈ ")	5 pcs.	540.41.664
500 (19 ⁷ / ₈ ")	5 pcs.	540.41.673

586 (23") width x 400 (15³/₄") depth

Height mm	Packing	Cat. No.
100 (4")	10 pcs.	540.41.744
200 (7 ⁷ / ₈ ")	10 pcs.	540.41.753
300 (11 ⁷ / ₈ ")	5 pcs.	540.41.762
500 (19 ⁷ / ₈ ")	5 pcs.	540.41.771



Softroller Slider

for basket Catalog No. 540.41.

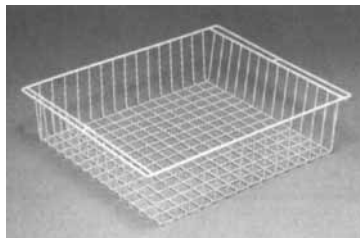
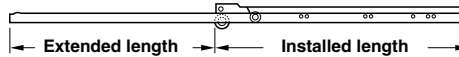
Load-Bearing Capacity: 30kg (66lbs.)/pair

Finish: steel, epoxy-coated, white

Rollers: nylon, white

Installed length	300 mm	350 mm	400 mm
Extension length	212 mm	262 mm	312 mm
Cat. No. (non self-closing)	423.35.311	423.35.366	423.35.419
Cat. No. (self-closing)	423.39.730	423.39.735	423.39.740

Packing: 20 pairs



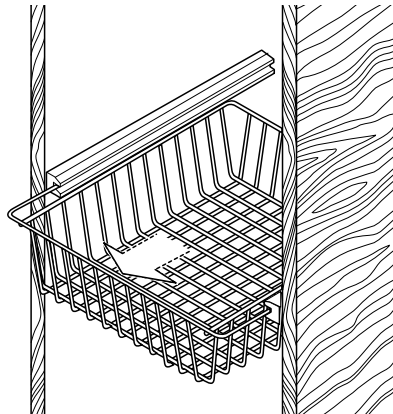
Wire basket with rim for use with 430.34 series track

Height: 120 mm (4³/₄")

Finish: steel wire, epoxy-coated, white

Width mm	Depth mm	Cat. No.
380 (15")	430 (17")	540.46.025
430 (17")	430 (17")	540.46.052
450 (17 ³ / ₄ ")	450 (17 ³ / ₄ ")	540.46.061
530 (20 ⁷ / ₈ ")	430 (17")	540.46.007
380 (15")	450 (17 ³ / ₄ ")	540.46.089
495 (19 ¹ / ₂ ")	500 (19 ⁵ / ₈ ")	540.46.098

Packing: 1 pc.



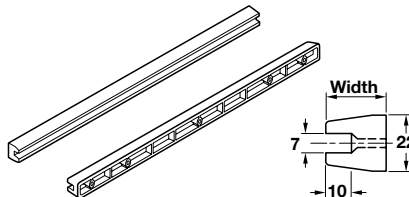
Tracks for wire baskets Cat. No. 540.46 series

Length: 430 mm (17")

Finish: plastic, white

Width mm	Cat. No.
26 mm	430.34.726
24 mm	430.34.724
18 mm	430.34.718

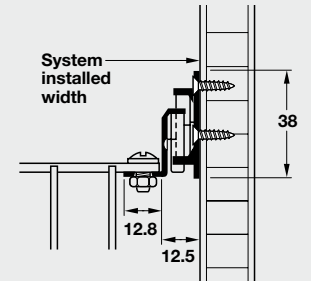
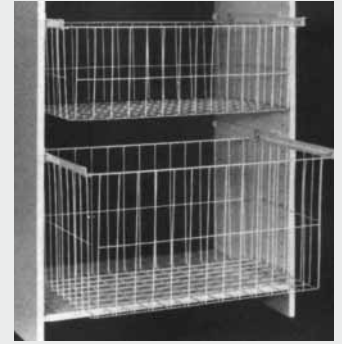
Packing: 40 pcs.



HÄFELE

at

cabinet accessories
U N L I M I T E D



Screws and nuts for attaching baskets to rollers

M4 Screw x 10mm Length

Cat. No. 022.35.109

Packing: 100 and 1000 pcs.

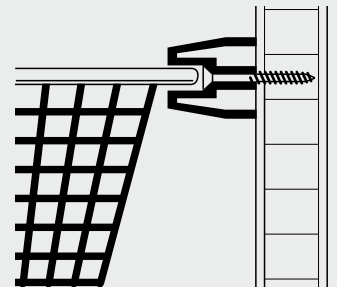
M4 Nuts

Cat. No. 034.11.943

Packing: 100 pcs.

Six screws and nuts required per basket.

Organizational Products for Kitchen, Bath, Closet and Home Entertainment



• Baskets can be slid out from cabinets with doors due to extra width of guide rail track.