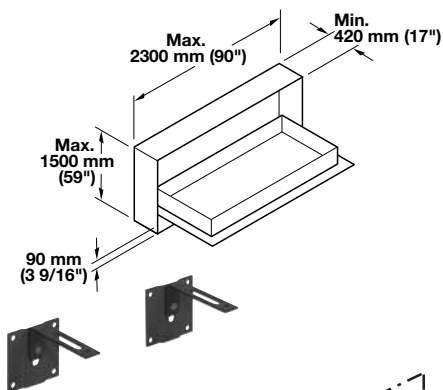


# Foldaway Bed Fittings

## Bedlift foldaway bed fittings for lengthwise mounting

These fittings permit the construction of foldaway beds according to your own plan.



Gas pistons (pre-stressed with tightening strap).  
Each bed requires 2 pcs. of gas pistons

Bed weight	Pushing Force	Cat. No.
40 kg. (88 lbs.)	400 N	271.99.122
50 kg. (110 lbs.)	500 N	271.99.140
60 kg. (132 lbs.)	600 N	271.99.168
70 kg. (154 lbs.)	700 N	271.99.186
80 kg. (176 lbs.)	800 N	271.99.202

Packing: 1 pc.



Mattress width
+ 2 x bed frame thickness
+ 125 mm
<b>= internal cabinet height</b>
Mattress length
+ 2 x bed frame thickness
+ 54 mm
<b>= internal cabinet width</b>
Gap on four sides between cabinet and front panel.
<b>= minimum 4 mm</b>

For selecting the gas-loaded spring, the **bed weight** is needed.  
bed box and slatted mattress frame  
+ Mattress and bedding  
**= Bed weight**



### Retaining Straps for bedding with contact closing

for mattress width	Cat. No.
<b>up to 900 mm</b>	271.87.920
<b>up to 1200 mm</b>	271.87.921
<b>up to 1400 mm</b>	271.87.922

Packing: 1 set

### Fitting set

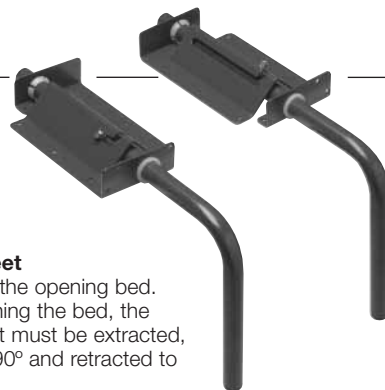
Consisting of:

- 1 pair foldaway fittings with pivot bearing and positioning bolt for gas pistons
- 2 pcs. safety stops
- 1 pc. safety lever with stop plate

Cat. No. 271.95.201

Packing: 1 set with mounting material

**Order gas-filled piston separately depending on bed weight.**



### Angular feet

to support the opening bed. When opening the bed, the angular feet must be extracted, turned by 90° and retracted to the stop.

Finish: steel, anthracite colored; powder-coated

Cat. No. 271.95.360

Packing: 1 pair



The angular feet with mounting plate are screw-mounted to the foot side of the bed frame and to the inside of the front panel.

A minimum 40 x 40 mm square beam is needed on four sides as slatted frame support.

# HÄFELE

at

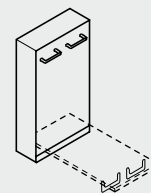
**cabinet accessories**  
U N L I M I T E D

The dimensions listed are internal cabinet dimensions. The cabinet and bed box constructions require a wood thickness of 20 mm.

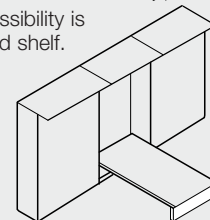
### LGA quality certificate

It is essential for foldaway beds to be **secured** against tipping, according to EN 1129. (Check the floor for suitability) Two safety stops are enclosed with every fitting set.

Instead of legs, large handles can be mounted which serve as supports when the bed is in the down position.



Another possibility is an overhead shelf.



## Organizational Products for Kitchen, Bath, Closet and Home Entertainment

