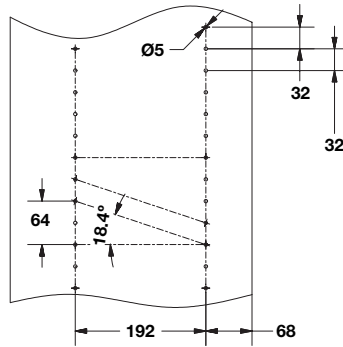
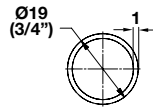


# Cabinet Fittings - Shoe Rail

Synergy Collection



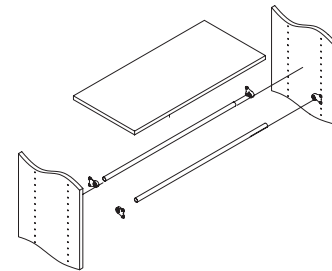
Rear rod can be positioned upwards, allowing shoes to be displayed on an incline.



**Shoe Rail**, cut to size (requires shoe rail bracket, order separately)  
19 mm (3/4") diameter  
Material: aluminum, anodized  
Length: **762 mm (30")**

Color	Item No.
polished chrome	805.87.200
matt aluminum	805.87.900
matt nickel	805.87.600
polished brass	805.87.800
matt brass	805.87.500
dark oil rubbed bronze	805.87.100

Packing: 48 pcs.

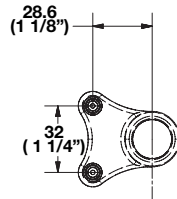


The rail can be positioned on the same plane – shoes are displayed in a horizontal plane.

Length: **914 mm (36")**

Color	Item No.
polished chrome	805.87.210
matt aluminum	805.87.910
matt nickel	805.87.610
polished brass	805.87.810
matt brass	805.87.510
dark oil rubbed bronze	805.87.110

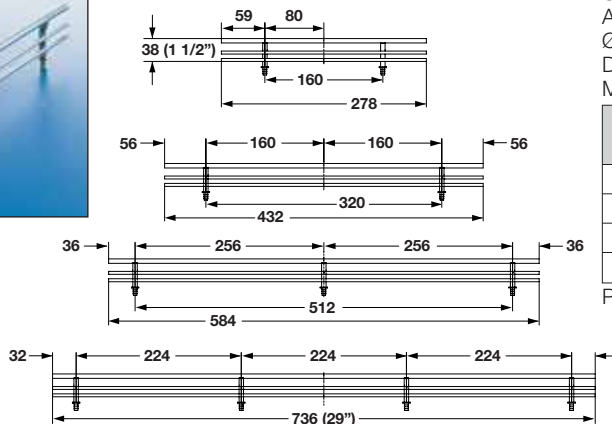
Packing: 48 pcs.



**Shoe Rail Bracket**, (for mounting rails, order separately)  
Connects the shoe rail to the side panel using 32 mm (1 1/4") line bore holes with 5 mm press in dowels.  
Material: plastic

Color	Item No.
almond	805.87.994
black	805.87.993
white	805.87.997

Packing: 96 pcs.



**Shoe Fences**, for shelving

Attaches to shelf with press-in dowels that fit Ø5 mm drilled holes.  
Dowels are on 32 mm (1 1/4") center increments.  
Material: steel

Length	chrome-plated	dark oil-rubbed bronze
278 mm (10 15/16")	547.51.201	[547.51.101]
432 mm (17")	547.51.202	[547.51.102]
584 mm (23")	547.51.203	[547.51.103]
736 mm (29")	547.51.204	[547.51.104]

Packing: 1 pc.

**New Item**

Dimensional data not binding. We reserve the right to alter specifications without notice.

Dimensions in mm  
Inches are approximate