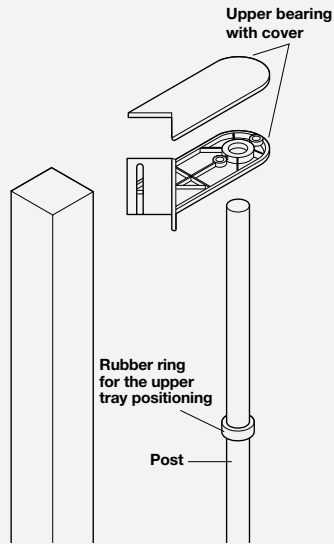


## 1/4 Turn Systems

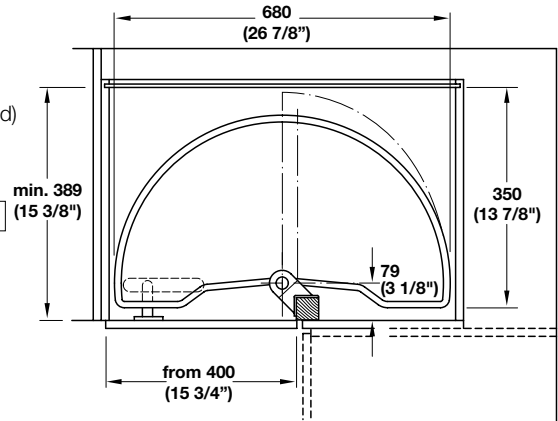


### Half moon 1/4 revolving shelf

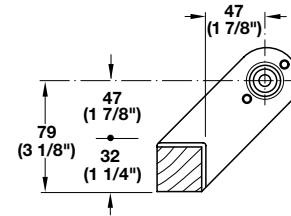
Screw-mounted to central upright with a minimum cabinet height of **565 mm (22 1/4")**.  
 Complete with 2 shelves, post, 1 upper and lower bearings; 1 follower (Can be mounted left or right hand) and one rubber ring.  
 Finish: Shelves, bearings, follower: plastic, white  
 Post: steel, chrome-plated

Cat. No. 542.09.710  
 Packing: 1 set

Installation dimensions for minimum door width

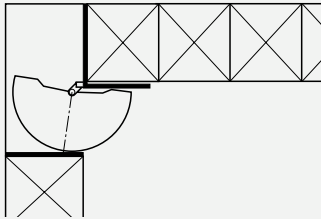


Installation using a center upright  
 minimum 32 mm x 32 mm (1 1/4" x 1 1/4" square)



## 5 Kitchen Accessory Systems

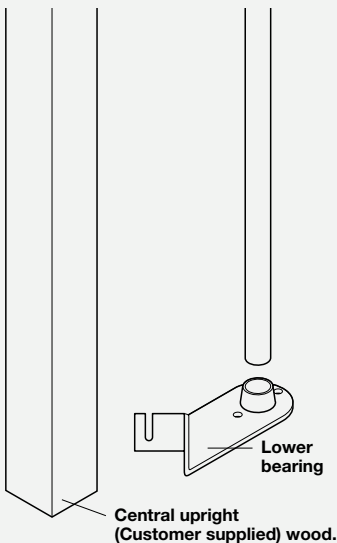
- For use in corner cabinets
- To be mounted on a central upright.



To adjust the height of the upper tray, press it firmly on the rubber ring which is positioned at the chosen height on the post.



The follower (which is attached to the backside of cabinet door), is guided under the tray and pivots automatically to the exterior when the door is opening.



Dimensional data not binding.  
 We reserve the right to alter specifications without notice.

**5.10** TCH 02