

# 1/4 Turn Systems



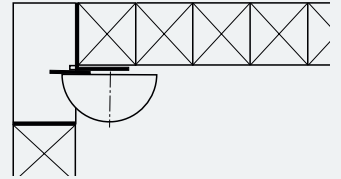
## 1/4 turn fitting set

complete with two half moon wire shelves,  
2 pivot systems and 1 follower  
Finish: steel, plastic-coated, white  
follower: plastic, white

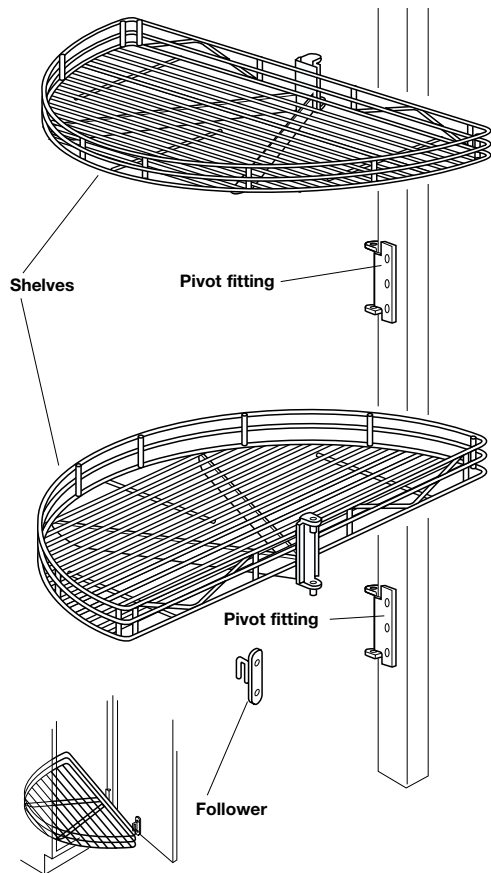
for cabinet door width from mm (inch)	Size	Cat. No.
370 (14½")	650 x 330 mm	541.25.718
425 (16¾")	770 x 390 mm	541.25.727
490 (19¼")	890 x 450 mm	541.25.745

Packing: 1 set

**HÄFELE**  
at  
**cabinet accessories**  
U N L I M I T E D

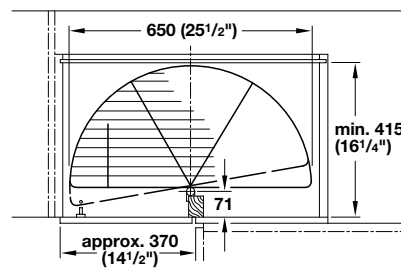


- Because the pivot systems are attached to a center upright at any height, there are no installation height limitations.

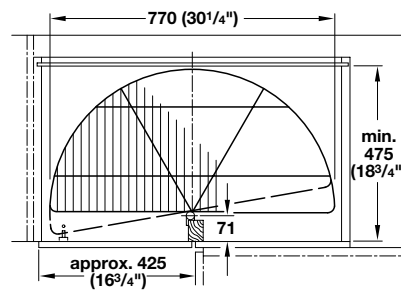


## Installed dimensions for minimum door widths:

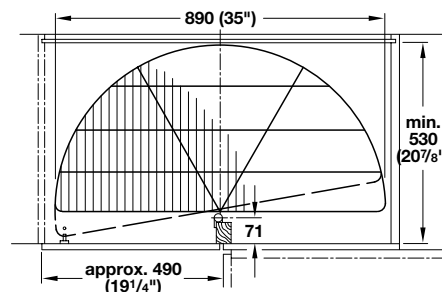
from 370 mm (14½")



from 425 mm (16¾")



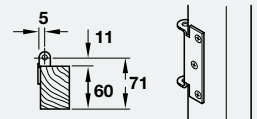
from 490 mm (19¼")



**Kitchen Accessory Systems**

**5**

**Installation with center upright**  
minimum 60 mm depth



**Optional Follower** is screw-mounted to the inside of the cabinet door. It is hooked in the sidewall of the shelf and revolves automatically as the door is opened.



## Follower

Finish: plastic, white

Cat. No.	541.63.905
----------	------------

Packing: 1 pc.

Dimensions in mm  
Inches are approximate