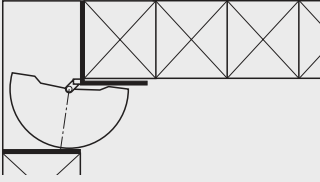
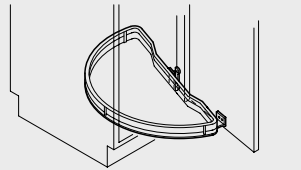
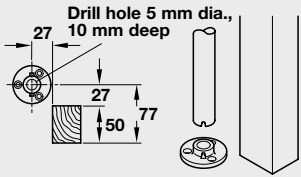
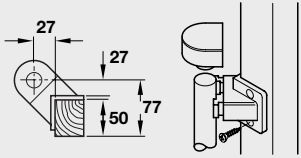


## 1/4 Turn Systems



### Installation:

Using a center upright **50 mm deep**



### Lid rack, for Arena shelf.

450 x 150 x 40

(17 3/4" x 5 15/16" x 1 9/16")

Finish: steel, chrome-plated

Cat. No. 541.46.270

Packing: 1 pc.

## Organizational Products for Kitchen, Bath, Closet and Home Entertainment



### Divider, for Arena shelf.

Finish: steel, chrome-plated

320 x 320 x 150 541.46.268

(12 5/8" x 12 5/8" x 5 15/16")

370 x 370 x 150 541.46.269

(14 9/16" x 14 9/16" x 5 15/16")

Packing: 1 pc.

Dimensional data not binding.

We reserve the right to alter specifications without notice.



**1/4 Turn post**, 495 mm (19 1/2") high with upper bearing to be screw-mounted to a center upright, and lower bearing to be screw-mounted to the cabinet bottom.

Finish: Post: steel, chrome-plated Bearings: plastic white

Cat. No. 541.19.292

Packing: 1 pc. (includes central post, shelf support ring, and upper and lower bearings)



**Half moon revolving shelf**, with spindle bearing and clamping sleeve. Complete with support ring and pin for mounting to center post.

Finish: steel, chrome-plated Bearing: plastic white

Cabinet door width mm inch	Dimensions	Cat. No.
440 (17 1/4")	750 x 420 x 80 mm (29 1/2" x 16 1/2" x 3 1/8")	541.19.229
490 (19 1/4")	850 x 475 x 80 mm (33 1/2" x 18 3/4" x 3 1/8")	541.19.247

Packing: 1 pc. (includes support ring and mounting pin)

### Ordered separately as needed:

**Shelf follower** for revolving shelf 541.19.229/247, for cabinets with doors. Allows the shelf to revolve automatically as the door opens. Finish: plastic, aluminum colored

Cat. No. 541.19.283

Packing: 1 pc.



**Shelf follower** for ARENA shelf 541.34.210/220, for cabinets with doors. Allows the shelf to revolve automatically as the door opens. Finish: steel, chrome-plated

Cat. No. 541.03.286

Packing: 1 pc.

**Shelf Protector** for ARENA shelf 541.34.210/220.

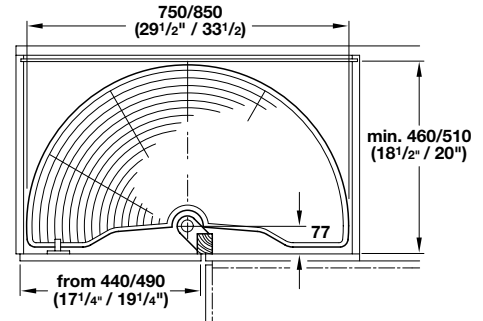
Clip onto metal profile of ARENA shelf to avoid damage on inside of hinged door.

Finish: plastic, aluminum colored

Cat. No. 541.03.791

Packing: 1 pc

Dimensions in mm  
Inches are approximate



### Half moon revolving shelf, ARENA Plus

Finish: melamine shelf with steel, chrome-plated surround

Cabinet door width	Dimensions	Cat. No.
440 (17 1/4")	750 x 420 x 90 mm (29 1/2" x 16 1/2" x 3 1/8")	541.34.210
490 (19 1/4")	850 x 470 x 90 mm (33 1/2" x 18 1/2" x 3 1/8")	541.34.220
		maple
440 (17 1/4")	750 x 420 x 90 mm (29 1/2" x 16 1/2" x 3 1/8")	541.34.110
490 (19 1/4")	850 x 470 x 90 mm (33 1/2" x 18 1/2" x 3 1/8")	541.34.120

Packing: 1 pc.

