

Revolving Corner Systems – Full Round

Full Round Shelf Sets

Includes: 2 trays and hardware, or 3 trays and hardware.

Finish:

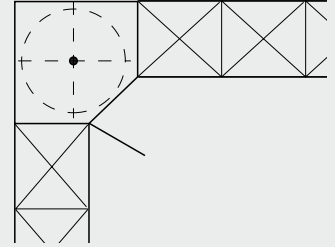
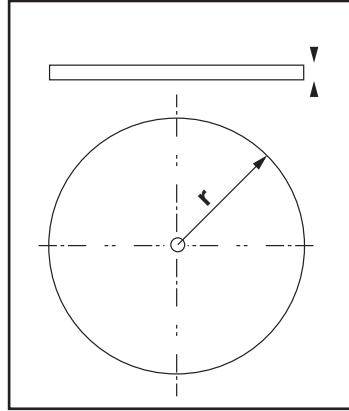
Shelf: high impact white polystyrene

Pedestal: chrome plated steel post

Bearings: nylon

Adjustable post fits 23 1/4"– 33" for two tray sets.

Adjustable post fits 27"– 45" for three tray sets.

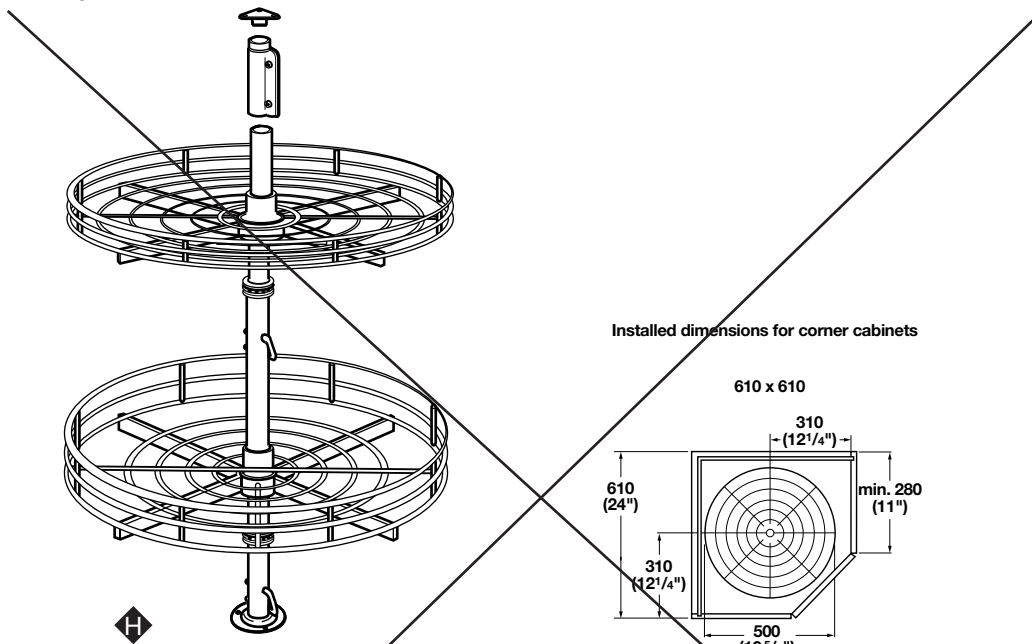


- For corner cabinet installations
- Durable nylon bearings
- Adjustable post
- Easy to install

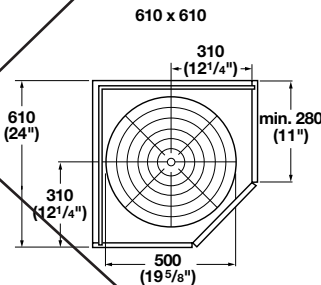
Note: 32" diameter trays rotate independently - all other size trays rotate together.

| Size | Trays | Post | r=radius | White | Almond |
|------|-------|-------------|----------|------------|------------|
| 18" | 2 | 23 1/4"-33" | 9" | 542.12.716 | 542.18.410 |
| 18" | 3 | 27-45" | 9" | 542.12.743 | 542.18.440 |
| 20" | 2 | 23 1/4"-33" | 10" | 542.19.720 | 542.19.420 |
| 24" | 2 | 23 1/4"-33" | 12" | 542.12.725 | 542.18.420 |
| 28" | 2 | 23 1/4"-33" | 14" | 542.12.734 | 542.18.430 |
| 32" | 2 | 23 1/4"-33" | 16" | 542.12.700 | 542.18.400 |

Packing: 1 set*

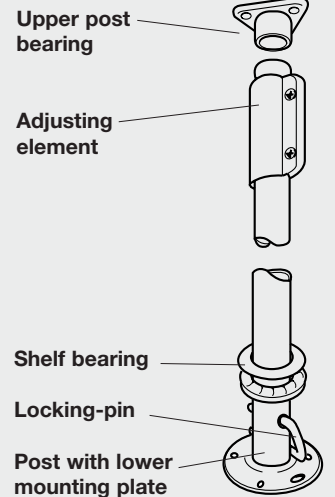


Installed dimensions for corner cabinets



Kitchen Accessory Systems

5



Upper post bearing

Adjusting element

Shelf bearing

Locking-pin

Post with lower mounting plate

Full round revolving fitting set

Minimum installed height 710 mm (28") to 780 mm (30 3/4") Complete with 1 post 700 mm (27 1/2") high with welded lower mounting plate and vertical adjusting element, 2 shelves, 2 steel bearings, three part, 2 locking pins.

Finish: post: steel, chrome-plated
shelves: steel, epoxy-coated, white
adjusting element: steel, galvanized
upper post bearing: plastic, white

| For corner cabinet | Diameter mm (inch) | Cat. No. |
|--------------------|--------------------|------------|
| 610 x 610 mm | 500 (19 5/8") | 541.29.814 |

Packing: 1 set

Dimensions in mm
Inches are approximate

Dimensional data not binding. We reserve the right to alter specifications without notice.