

Revolving Corner Unit Systems

HÄFELE

at
cabinet accessories
U N L I M I T E D



Revolving hardware,

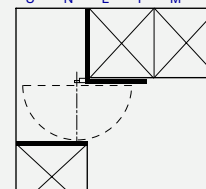
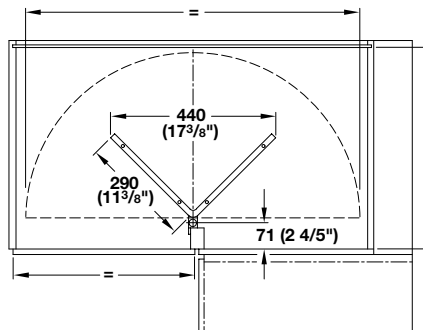
Complete system includes: mounting bracket with V-shaped shelf support.

Finish: Steel, plastic-coated, white

Cat. No. 501.07.027

Packing: 25 sets

Installed dimensions for user provided shelves
(overall dimensions optional):



For the attaching of customer-supplied half moon revolving shelves made of wood to a central upright at any height



Shelf follower 2-part, screw mounted

Causes shelf to revolve automatically as cabinet door opens.

Finish: Nickel-plated steel

Cat. No. 501.07.125

Packing: 2 pcs.



Shelf support roller, screw-mounted.

Supports and guides shelf as it revolves

Finish: Nickel-plated steel; plastic roller

Cat. No. 501.07.107

Packing: 2 pcs.

Kitchen Accessory Systems

5

Shelf supporting roller



Shelf follower



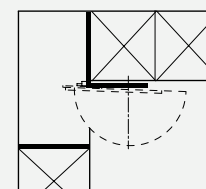
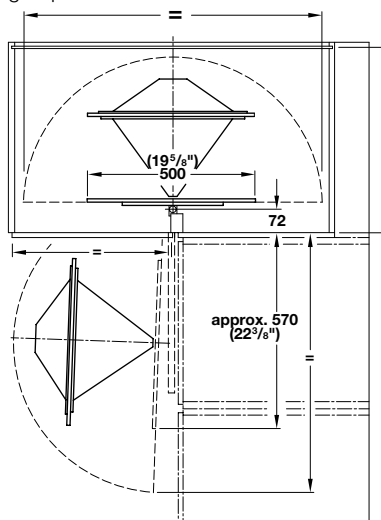
Revolving/extended system

Complete system includes: revolving element with shelf support arms and extension runners.

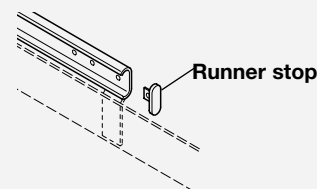
Finish: steel, plastic coated white

Cat. No. 541.63.709

Packing: 5 pcs.



For cabinets with front mounted doors, shelves can be installed in any required number and at any height by attachment to a central upright.



Runner stop

The runner stop can be installed on either side.

Dimensional data not binding. We reserve the right to alter specifications without notice.

Dimensions in mm
Inches are approximate